

High voltage ignition coil driver NPN power Darlington transistors

Features

- Very rugged bipolar technology
- Built in clamping Zener
- High operating junction temperature
- Fully insulated package (U.L. compliant) for easy mounting

Applications

- High ruggedness electronic ignitions

Description

The devices are bipolar Darlington transistors manufactured using Multi-Epitaxial Planar technology. They have been properly designed to be used in Automotive environment as electronic ignition power actuators.

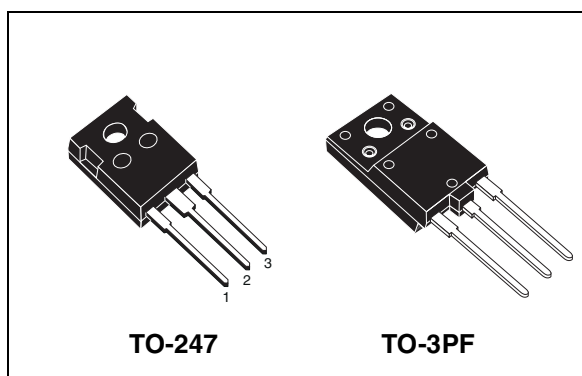


Figure 1. Internal schematic diagram

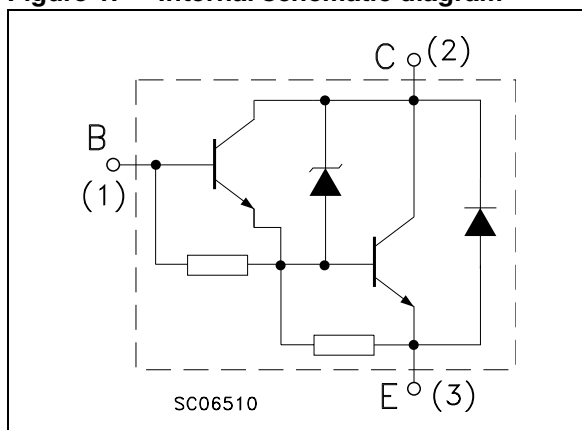


Table 1. Device summary

Order code	Marking	Packages	Packaging
BU941ZP	BU941ZP	TO-247	Tube
BU941ZPFI	BU941ZPFI	TO-3PF	Tube

1 Absolute maximum ratings

Table 2. Absolute maximum ratings

Symbol	Parameter	Value		Unit
		BU941ZP	BU941ZPFI	
V_{CEO}	Collector-emitter voltage ($I_B = 0$)	350		V
V_{EBO}	Emitter-base voltage ($I_C = 0$)	5		V
I_C	Collector current	15		A
I_{CM}	Collector peak current ($t_p < 5\text{ms}$)	30		A
I_B	Base current	1		A
I_{BM}	Base peak current ($t_p < 5\text{ms}$)	5		A
P_{tot}	Total dissipation at $T_c \leq 25\text{ }^\circ\text{C}$	155	65	W
V_{isol}	Insulation withstand voltage (RMS) from all three leads to external heatsink		2500	V
T_{stg}	Storage temperature	-65 to 175	-65 to 175	$^\circ\text{C}$
T_J	Max. operating junction temperature	175	175	$^\circ\text{C}$

Table 3. Thermal data

Symbol	Parameter	TO-247	TO-3PF	Unit
$R_{thj-case}$	Thermal resistance junction-case	max 0.97	2.3	$^\circ\text{C}/\text{W}$

2 Electrical characteristics

($T_{\text{case}} = 25^{\circ}\text{C}$; unless otherwise specified)

Table 4. Electrical characteristics

Symbol	Parameter	Test conditions	Min.	Typ.	Max.	Unit
I_{CEO}	Collector cut-off current ($I_{\text{B}} = 0$)	$V_{\text{CE}} = 300 \text{ V}$ $V_{\text{CE}} = 300 \text{ V}$ $T_{\text{J}} = 125^{\circ}\text{C}$			100 0.5	μA mA
I_{EBO}	Emitter cut-off current ($I_{\text{C}} = 0$)	$V_{\text{EB}} = 5 \text{ V}$			20	mA
$V_{\text{Clamp}}^{(1)}$	Clamping voltage	$I_{\text{C}} = 100 \text{ mA}$	350		500	V
$V_{\text{CE(sat)}}^{(1)}$	Collector-emitter saturation voltage	$I_{\text{C}} = 8 \text{ A}$ $I_{\text{B}} = 100 \text{ mA}$ $I_{\text{C}} = 10 \text{ A}$ $I_{\text{B}} = 250 \text{ mA}$ $I_{\text{C}} = 12 \text{ A}$ $I_{\text{B}} = 300 \text{ mA}$			1.8 1.8 2	V V V
$V_{\text{BE(sat)}}^{(1)}$	Collector-emitter base voltage	$I_{\text{C}} = 8 \text{ A}$ $I_{\text{B}} = 100 \text{ mA}$ $I_{\text{C}} = 10 \text{ A}$ $I_{\text{B}} = 250 \text{ mA}$ $I_{\text{C}} = 12 \text{ A}$ $I_{\text{B}} = 300 \text{ mA}$			2.2 2.5 2.7	V V V
$h_{\text{FE}}^{(1)}$	DC current gain	$I_{\text{C}} = 5 \text{ A}$ $V_{\text{CE}} = 10 \text{ V}$	300			
	Functional test	$V_{\text{CC}} = 24 \text{ V}$ $L = 7 \text{ mH}$ <i>Figure 13.</i>	10			A
t_{s} t_{f}	Inductive load Storage time Fall time	$V_{\text{CC}} = 12 \text{ V}$ $L = 7 \text{ mH}$ $V_{\text{BE(off)}} = 0 \text{ V}$ $R_{\text{BE}} = 47 \Omega$ $V_{\text{Clamp}} = 300 \text{ V}$ $I_{\text{C}} = 7 \text{ A}$ $I_{\text{B1}} = 70 \text{ mA}$		15 0.5		μs μs
V_{F}	Diode forward voltage	$I_{\text{F}} = 10 \text{ A}$			2.5	V

1. Pulsed duration = 300 μs , duty cycle $\leq 1.5\%$.

2.1 Electrical characteristic (curves)

Figure 2. Safe operating area

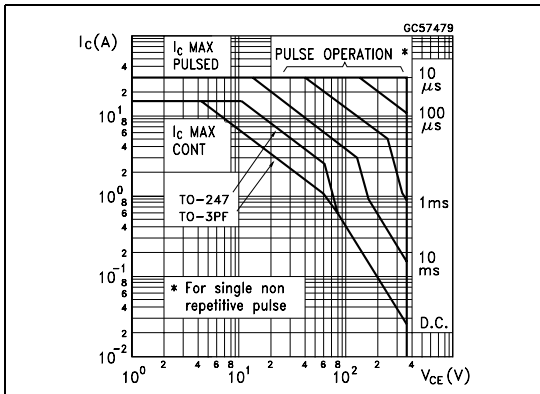


Figure 3. Derating curve

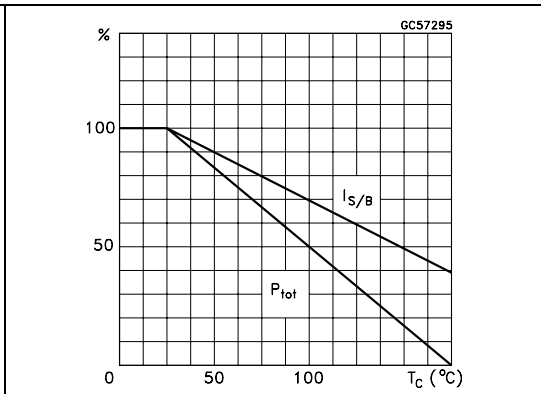


Figure 4. DC current gain

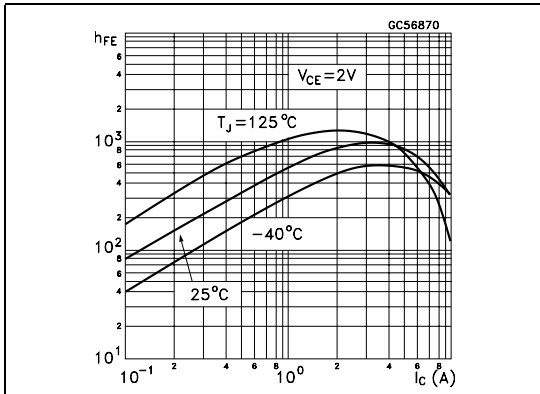


Figure 5. DC current gain

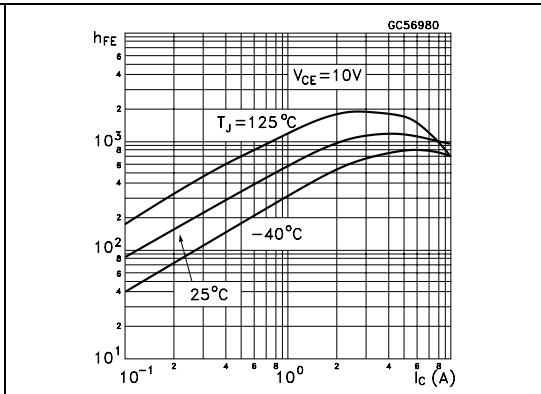


Figure 6. Collector-emitter saturation voltage

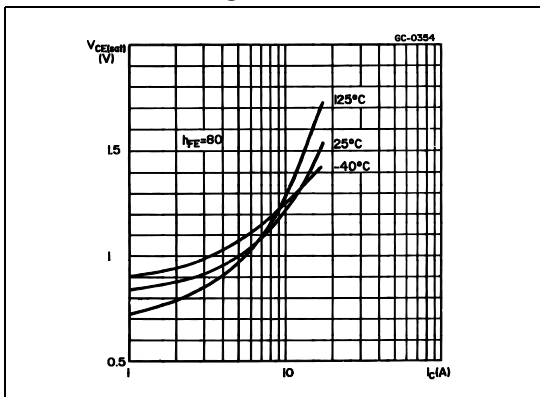


Figure 7. Base-emitter saturation voltage

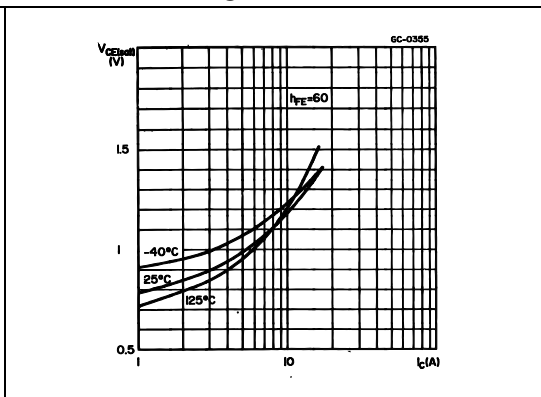


Figure 8. Base-emitter saturation voltage

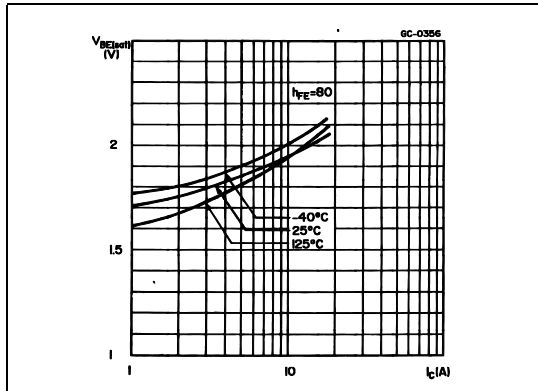


Figure 9. Base-emitter saturation voltage

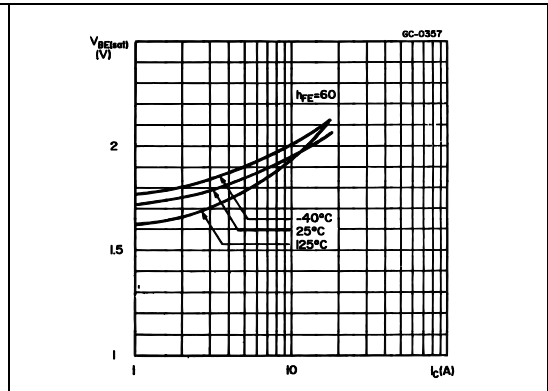
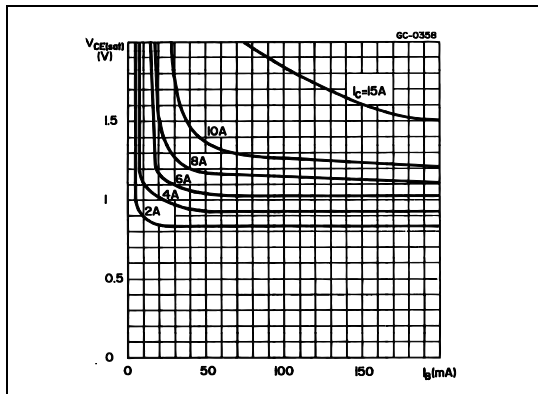


Figure 10. Collector-emitter saturation voltage



2.2 Test circuit

Figure 11. Functional test circuit

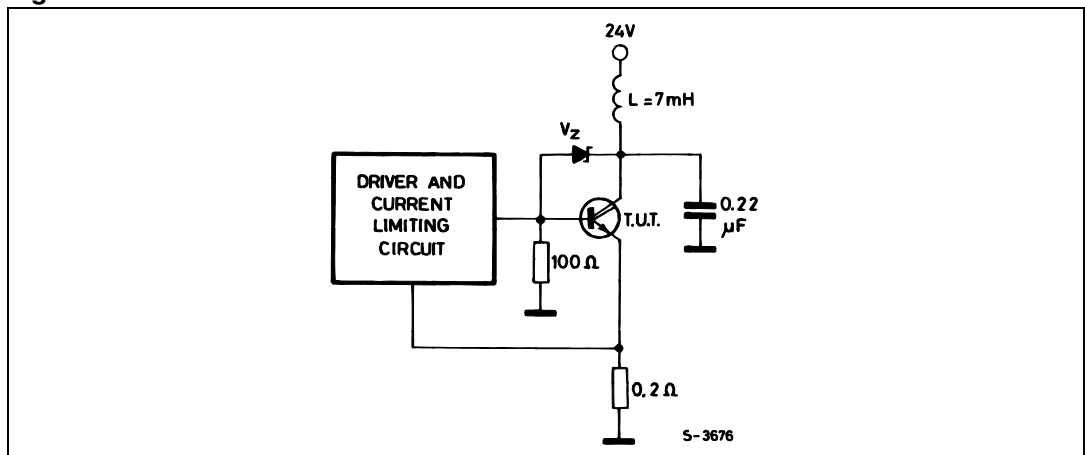


Figure 12. Functional test waveforms

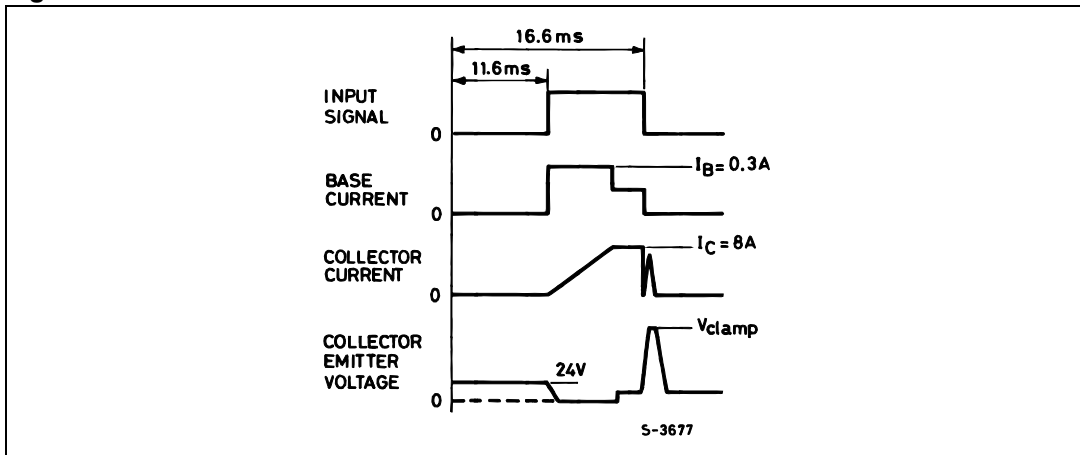
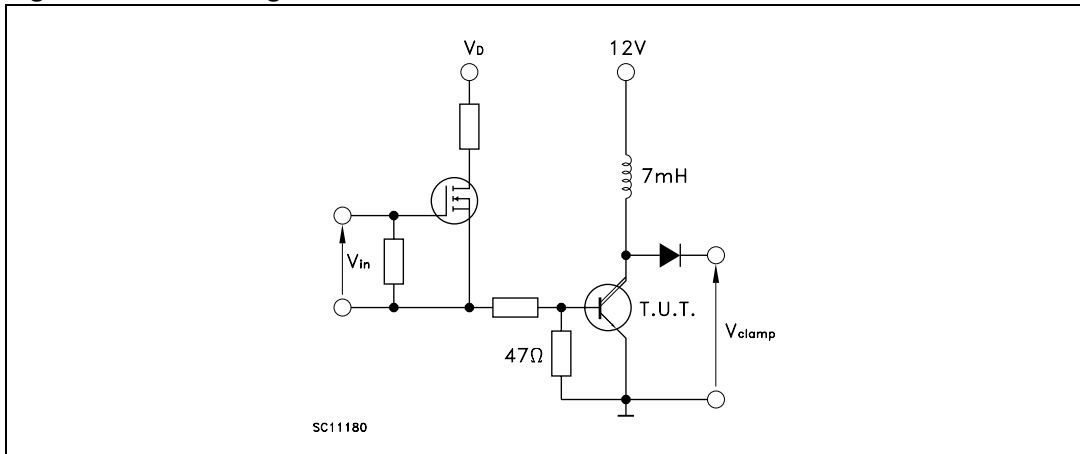


Figure 13. Switching time test circuit

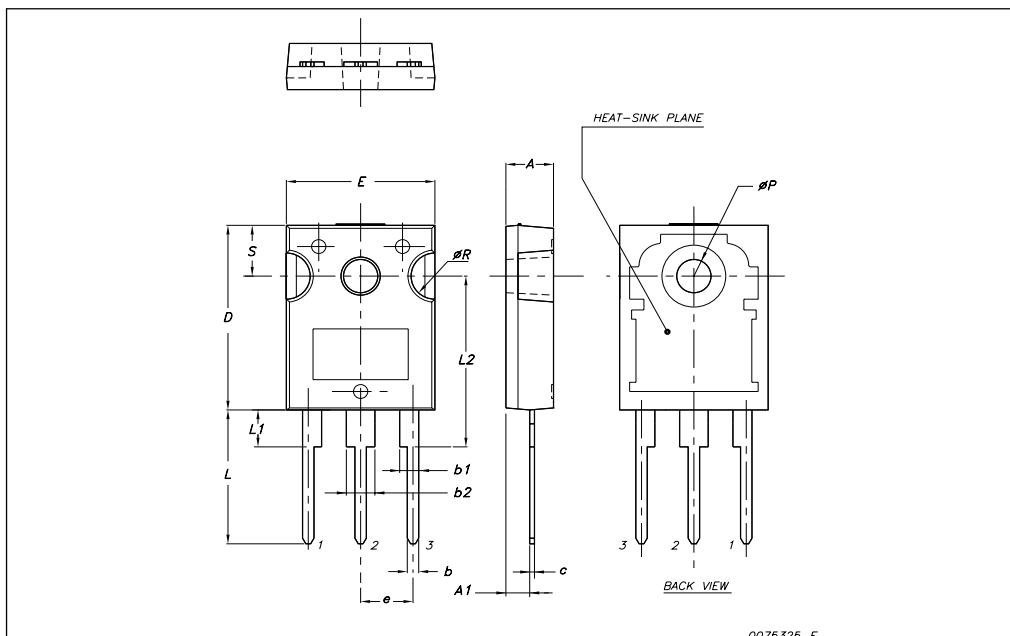


3 Package mechanical data

In order to meet environmental requirements, ST offers these devices in ECOPACK® packages. These packages have a Lead-free second level interconnect . The category of second level interconnect is marked on the package and on the inner box label, in compliance with JEDEC Standard JESD97. The maximum ratings related to soldering conditions are also marked on the inner box label. ECOPACK is an ST trademark. ECOPACK specifications are available at: www.st.com

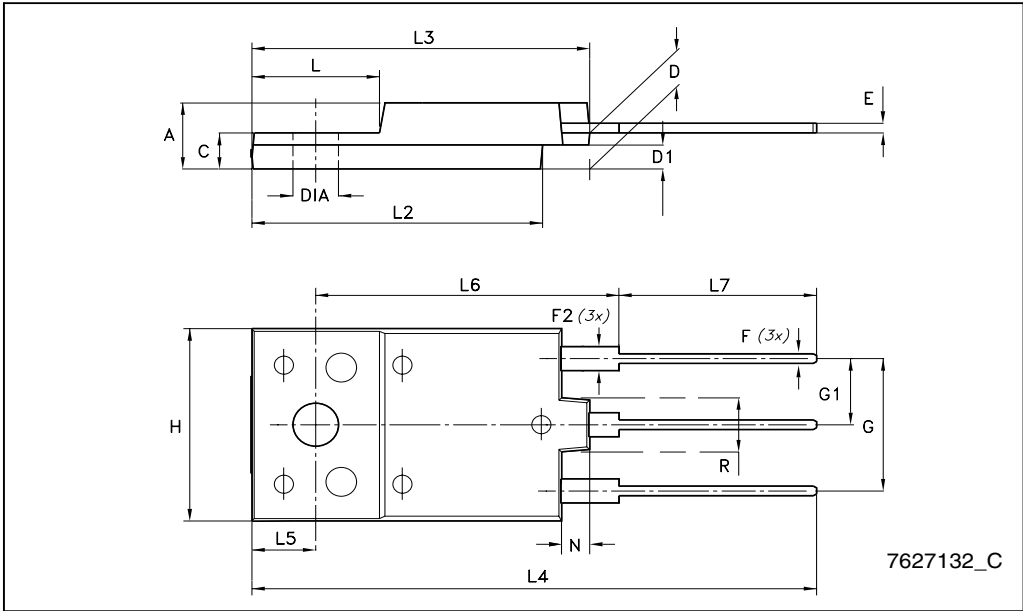
TO-247 Mechanical data

Dim.	mm.		
	Min.	Typ	Max.
A	4.85		5.15
A1	2.20		2.60
b	1.0		1.40
b1	2.0		2.40
b2	3.0		3.40
c	0.40		0.80
D	19.85		20.15
E	15.45		15.75
e		5.45	
L	14.20		14.80
L1	3.70		4.30
L2		18.50	
øP	3.55		3.65
øR	4.50		5.50
S		5.50	



TO-3PF mechanical data

DIM.	mm.		
	min.	typ	max.
A	5.30		5.70
C	2.80		3.20
D	3.10		3.50
D1	1.80		2.20
E	0.80		1.10
F	0.65		0.95
F2	1.80		2.20
G	10.30		11.50
G1		5.45	
H	15.30		15.70
L	9.80	10	10.20
L2	22.80		23.20
L3	26.30		26.70
L4	43.20		44.40
L5	4.30		4.70
L6	24.30		24.70
L7	14.60		15
N	1.80		2.20
R	3.80		4.20
Dia	3.40		3.80



4 Revision history

Table 5. Document revision history

Date	Revision	Changes
03-Feb-2005	6	
22-Jan-2008	7	Package change from TO-218 to TO-247 and from ISOWATT218 to TO-3PF.

Please Read Carefully:

Information in this document is provided solely in connection with ST products. STMicroelectronics NV and its subsidiaries ("ST") reserve the right to make changes, corrections, modifications or improvements, to this document, and the products and services described herein at any time, without notice.

All ST products are sold pursuant to ST's terms and conditions of sale.

Purchasers are solely responsible for the choice, selection and use of the ST products and services described herein, and ST assumes no liability whatsoever relating to the choice, selection or use of the ST products and services described herein.

No license, express or implied, by estoppel or otherwise, to any intellectual property rights is granted under this document. If any part of this document refers to any third party products or services it shall not be deemed a license grant by ST for the use of such third party products or services, or any intellectual property contained therein or considered as a warranty covering the use in any manner whatsoever of such third party products or services or any intellectual property contained therein.

UNLESS OTHERWISE SET FORTH IN ST'S TERMS AND CONDITIONS OF SALE ST DISCLAIMS ANY EXPRESS OR IMPLIED WARRANTY WITH RESPECT TO THE USE AND/OR SALE OF ST PRODUCTS INCLUDING WITHOUT LIMITATION IMPLIED WARRANTIES OF MERCHANTABILITY, FITNESS FOR A PARTICULAR PURPOSE (AND THEIR EQUIVALENTS UNDER THE LAWS OF ANY JURISDICTION), OR INFRINGEMENT OF ANY PATENT, COPYRIGHT OR OTHER INTELLECTUAL PROPERTY RIGHT.

UNLESS EXPRESSLY APPROVED IN WRITING BY AN AUTHORIZED ST REPRESENTATIVE, ST PRODUCTS ARE NOT RECOMMENDED, AUTHORIZED OR WARRANTED FOR USE IN MILITARY, AIR CRAFT, SPACE, LIFE SAVING, OR LIFE SUSTAINING APPLICATIONS, NOR IN PRODUCTS OR SYSTEMS WHERE FAILURE OR MALFUNCTION MAY RESULT IN PERSONAL INJURY, DEATH, OR SEVERE PROPERTY OR ENVIRONMENTAL DAMAGE. ST PRODUCTS WHICH ARE NOT SPECIFIED AS "AUTOMOTIVE GRADE" MAY ONLY BE USED IN AUTOMOTIVE APPLICATIONS AT USER'S OWN RISK.

Resale of ST products with provisions different from the statements and/or technical features set forth in this document shall immediately void any warranty granted by ST for the ST product or service described herein and shall not create or extend in any manner whatsoever, any liability of ST.

ST and the ST logo are trademarks or registered trademarks of ST in various countries.

Information in this document supersedes and replaces all information previously supplied.

The ST logo is a registered trademark of STMicroelectronics. All other names are the property of their respective owners.

© 2008 STMicroelectronics - All rights reserved

STMicroelectronics group of companies

Australia - Belgium - Brazil - Canada - China - Czech Republic - Finland - France - Germany - Hong Kong - India - Israel - Italy - Japan - Malaysia - Malta - Morocco - Singapore - Spain - Sweden - Switzerland - United Kingdom - United States of America

www.st.com

