



SBOS356A – FEBRUARY 2006 – REVISED OCTOBER 2006

14-Channel GAMMA VOLTAGE GENERATOR with Programmable V_{COM} Outputs and OTP Memory

FEATURES

- 14-CHANNEL GAMMA CORRECTION
- 2 V_{COM} OUTPUTS
- ON-CHIP OTP MEMORY
- 10-BIT RESOLUTION
- RAIL-TO-RAIL OUTPUT
- LOW SUPPLY CURRENT: 1mA/ch
- SUPPLY VOLTAGE: 8.5V to 18V
- DIGITAL SUPPLY: 2.0V to 5.5V
- INDUSTRY-STANDARD, TWO-WIRE INTERFACE: 3.4MHz HIGH-SPEED MODE
- HIGH ESD RATING: 4kV HBM, 1kV CDM, 200V MM
- DEMO BOARD AND SOFTWARE AVAILABLE

APPLICATIONS

- REPLACES RESISTOR-BASED GAMMA SOLUTIONS
- TFT-LCD REFERENCE DRIVERS
- DYNAMIC GAMMA CONTROL

DESCRIPTION

The BUF16820 is a programmable voltage reference generator designed for gamma correction in TFT-LCD panels. It provides 14 programmable outputs and two V_{COM} channels, each with 10-bit resolution. It offers on-chip, one-time programmable (OTP) memory that allows the user to store the gamma voltages on-chip. This eliminates the need for an external EEPROM.

This programmability replaces the traditional, time-consuming process of changing resistor values to optimize the various gamma voltages, and allows designers to determine the correct gamma voltages for a panel very quickly. Required voltage changes can also be easily implemented without changing the hardware.

The BUF16820 uses TI's latest, small-geometry analog CMOS process, which makes it a very competitive choice for full production, not just evaluation.

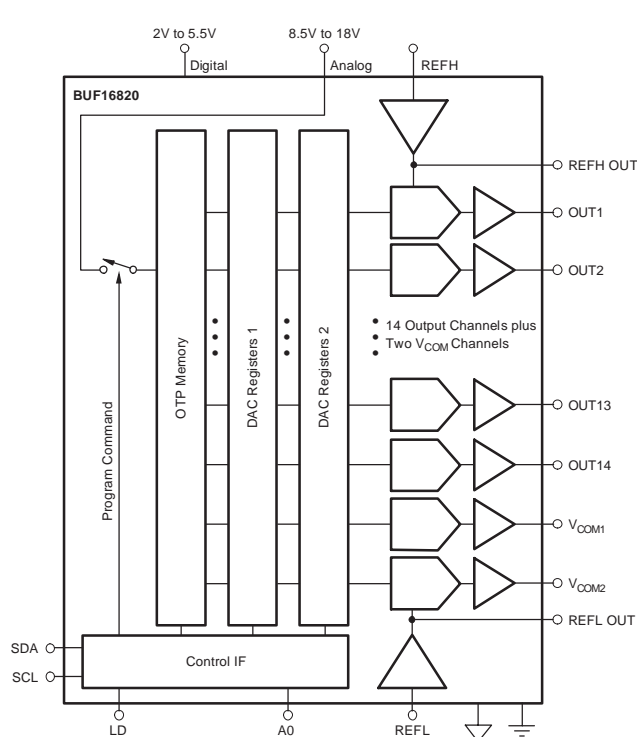
Programming of each output occurs through an industry-standard, two-wire serial interface. Unlike existing programmable buffers, the BUF16820 offers a high-speed mode that allows clock speeds up to 3.4MHz.

For devices with a lower or higher channel count, please contact your local sales or marketing representative.

The BUF16820 is available in an HTSSOP-32 PowerPAD™ package. It is specified from -40°C to $+85^{\circ}\text{C}$.

BUF16820 RELATED PRODUCTS

FEATURES	PRODUCT
18-Channel Programmable, Two V_{COM} Channels, Memory	BUF20820
12-Channel Programmable Buffer, 10-Bit	BUF12800
Programmable V_{COM}	BUF01900
10 + 1 Channel Gamma Buffer, 22V Supply Voltage	BUF11705
Complete LCD DC/DC Solution	TPS651xx



Please be aware that an important notice concerning availability, standard warranty, and use in critical applications of Texas Instruments semiconductor products and disclaimers thereto appears at the end of this data sheet.

PowerPAD is a registered trademark of Texas Instruments. All other trademarks are the property of their respective owners.

PRODUCTION DATA information is current as of publication date. Products conform to specifications per the terms of Texas Instruments standard warranty. Production processing does not necessarily include testing of all parameters.



Copyright © 2006, Texas Instruments Incorporated



This integrated circuit can be damaged by ESD. Texas Instruments recommends that all integrated circuits be handled with appropriate precautions. Failure to observe proper handling and installation procedures can cause damage.

ESD damage can range from subtle performance degradation to complete device failure. Precision integrated circuits may be more susceptible to damage because very small parametric changes could cause the device not to meet its published specifications.

ORDERING INFORMATION(1)

PRODUCT	PACKAGE-LEAD	PACKAGE DESIGNATOR	PACKAGE MARKING
BUF16820	HTSSOP-32	DAP	BUF16820

(1) For the most current package and ordering information see the Package Option Addendum at the end of this document, or see the TI web site at www.ti.com.

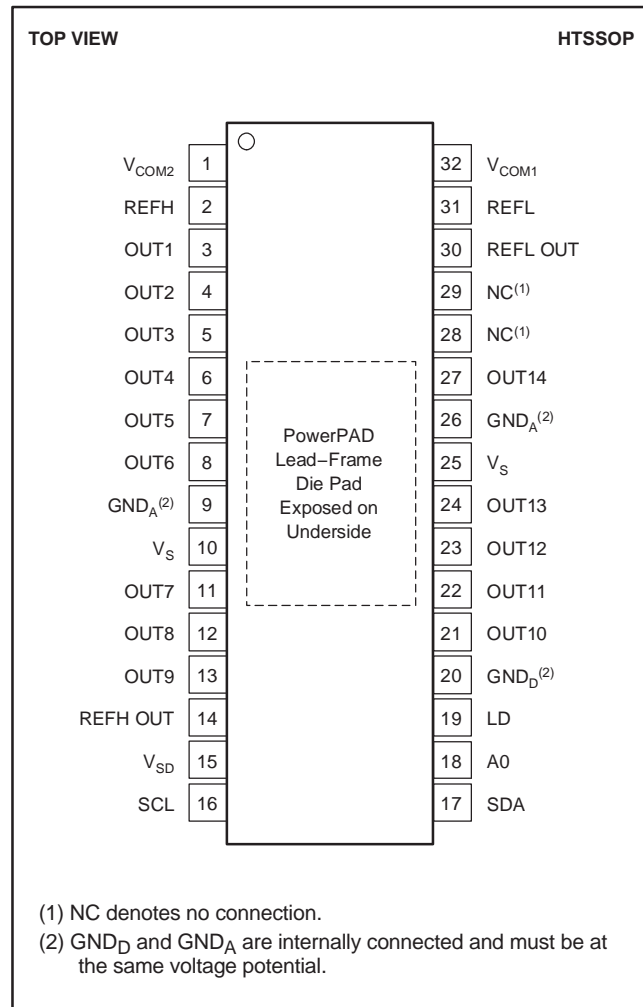
ABSOLUTE MAXIMUM RATINGS(1)

Supply Voltage, V_S	+19V
Supply Voltage, V_{SD}	+6V
Signal Input Terminals, SCL, SDA, A0, LD:	
Voltage	-0.5V to +6V
Current	$\pm 10\text{mA}$
Output Short Circuit(2)	Continuous
Operating Temperature	-40°C to +95°C
Storage Temperature	-65°C to +150°C
Junction Temperature	+125°C
ESD Rating:	
Human Body Model (HBM)	4kV
Charged-Device Model (CDM)	1kV
Machine Model (MM)	200V

(1) Stresses above these ratings may cause permanent damage. Exposure to absolute maximum conditions for extended periods may degrade device reliability. These are stress ratings only, and functional operation of the device at these or any other conditions beyond those specified is not supported.

(2) Short-circuit to ground.

PIN CONFIGURATION



TYPICAL CHARACTERISTICS

At $T_A = +25^\circ\text{C}$, $V_S = 18\text{V}$, $V_{SD} = 5\text{V}$, $V_{REFH} = 17\text{V}$, $V_{REFL} = 1\text{V}$, $R_L = 1.5\text{k}\Omega$ connected to ground, and $C_L = 200\text{pF}$, unless otherwise noted.

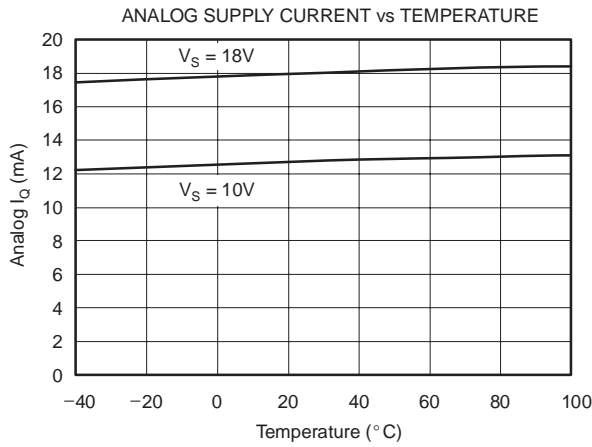


Figure 1

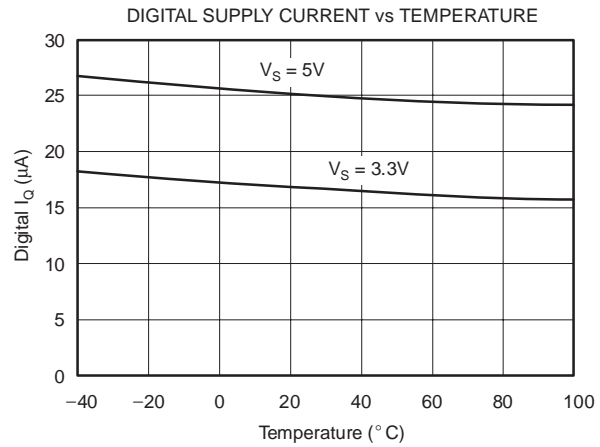


Figure 2

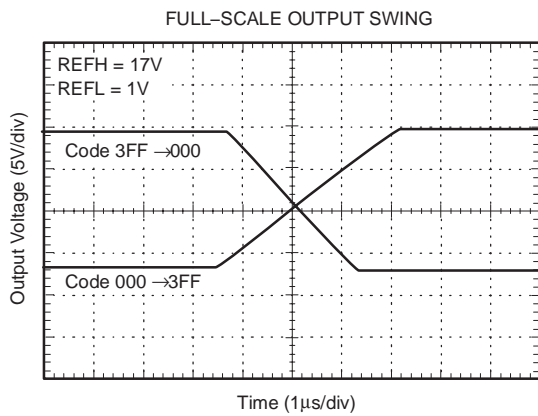


Figure 3

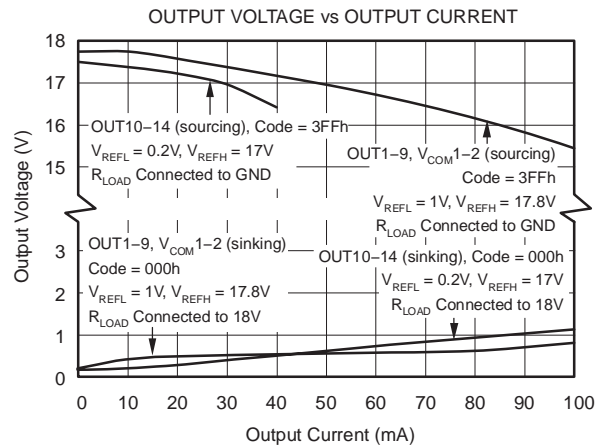


Figure 4

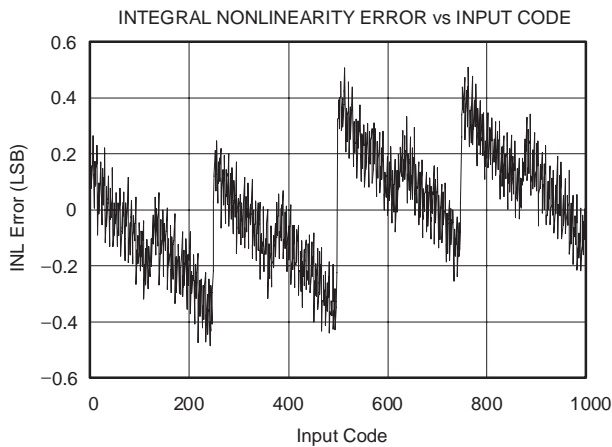


Figure 5

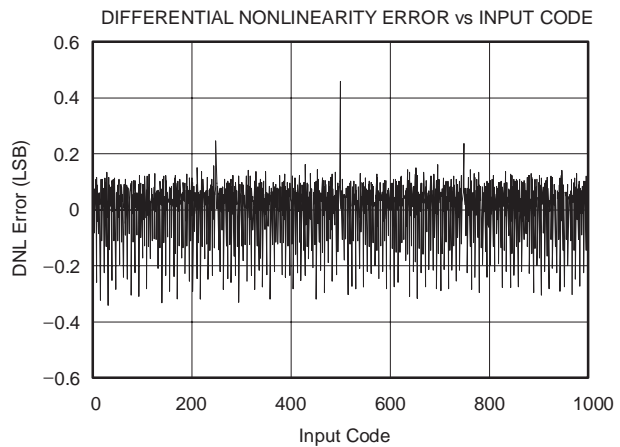


Figure 6

APPLICATIONS INFORMATION

The BUF16820 programmable voltage reference allows fast and easy adjustment of 14 programmable reference outputs and two channels for V_{COM} adjustment, each with 10-bit resolution. It allows very simple, time-efficient adjustment of the gamma reference and V_{COM} voltages. The BUF16820 is programmed through a high-speed, standard, two-wire interface. The BUF16820 features a double-register structure for each DAC channel to simplify the implementation of dynamic gamma control. This structure allows pre-loading of register data and rapid updating of all channels simultaneously.

Buffers 1–9 are able to swing to within 200mV of the positive supply rail, and to within 0.6V of the negative supply rail. Buffers 10–14 are able to swing to within 0.8V of the positive supply rail and to within 200mV of the negative supply rail.

The BUF16820 can be powered using an analog supply voltage from 8.5V to 18V, and a digital supply from 2V to 5.5V. The digital supply must be applied prior to, or simultaneously with, the analog supply to avoid excessive current and power consumption; damage to the device may occur if it is left connected only to the analog supply for extended periods of time. Figure 7 shows the power supply timing requirements.

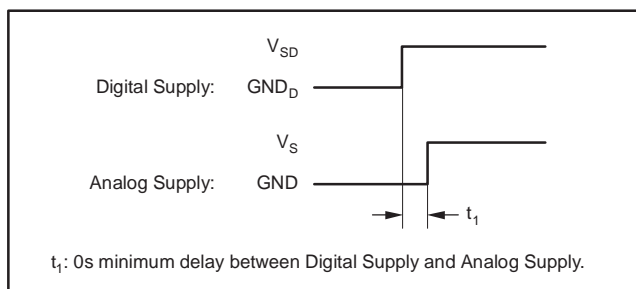


Figure 7. Power Supply Timing Requirements

Figure 8 shows the BUF16820 in a typical configuration. In this configuration, the BUF16820 device address is 74h. The output of each digital-to-analog converter (DAC) is immediately updated as soon as data are received in the corresponding register ($LD = 0$). For maximum dynamic range, set $V_{REFH} = V_S - 0.2V$, and $V_{REFL} = GND + 0.2V$.

TWO-WIRE BUS OVERVIEW

The BUF16820 communicates through an industry-standard, two-wire interface to receive data in slave mode. This standard uses a two-wire, open-drain interface that supports multiple devices on a single bus. Bus lines are driven to a logic low level only. The device that initiates the

communication is called a *master*, and the devices controlled by the master are *slaves*. The master generates the serial clock on the clock signal line (SCL), controls the bus access, and generates the START and STOP conditions.

To address a specific device, the master initiates a START condition by pulling the data signal line (SDA) from a HIGH to a LOW logic level while SCL is HIGH. All slaves on the bus shift in the slave address byte, with the last bit indicating whether a read or write operation is intended. During the 9th clock pulse, the slave being addressed responds to the master by generating an acknowledge and pulling SDA LOW.

Data transfer is then initiated and eight bits of data are sent followed by an acknowledge bit. During data transfer, SDA must remain stable while SCL is HIGH. Any change in SDA while SCL is HIGH will be interpreted as a START or STOP condition.

Once all data has been transferred, the master generates a STOP condition indicated by pulling SDA from LOW to HIGH while SCL is HIGH.

The BUF16820 can act only as a slave device; therefore, it never drives SCL. The SCL pin is only an input for the BUF16820. Table 1 and Table 2 summarize the address and command codes, respectively, for the BUF16820.

Table 1. Quick-Reference Table of Addresses

DEVICE/COMPONENT	ADDRESS
BUF16820 Address:	
A0 pin is LOW (device will acknowledge on address 74h)	1110100
A0 pin is HIGH (device will acknowledge on address 75h)	1110101

Table 2. Command Codes Quick-Reference

COMMAND	CODE
General Call Reset	Address byte of 00h followed by a data byte of 06h.
High-Speed Mode	00001xxx, with $SCL \leq 400kHz$; where xxx are bits unique to the Hs-capable master. This byte is called the Hs master code.

ADDRESSING THE BUF16820

The address of the BUF16820 is 111010x, where x is the state of the A0 pin. When the A0 pin is LOW, the device will acknowledge on address 74h (1110100). If the A0 pin is HIGH, the device will acknowledge on address 75h (1110101).

Other valid addresses are possible through a simple mask change. Contact your TI representative for information.

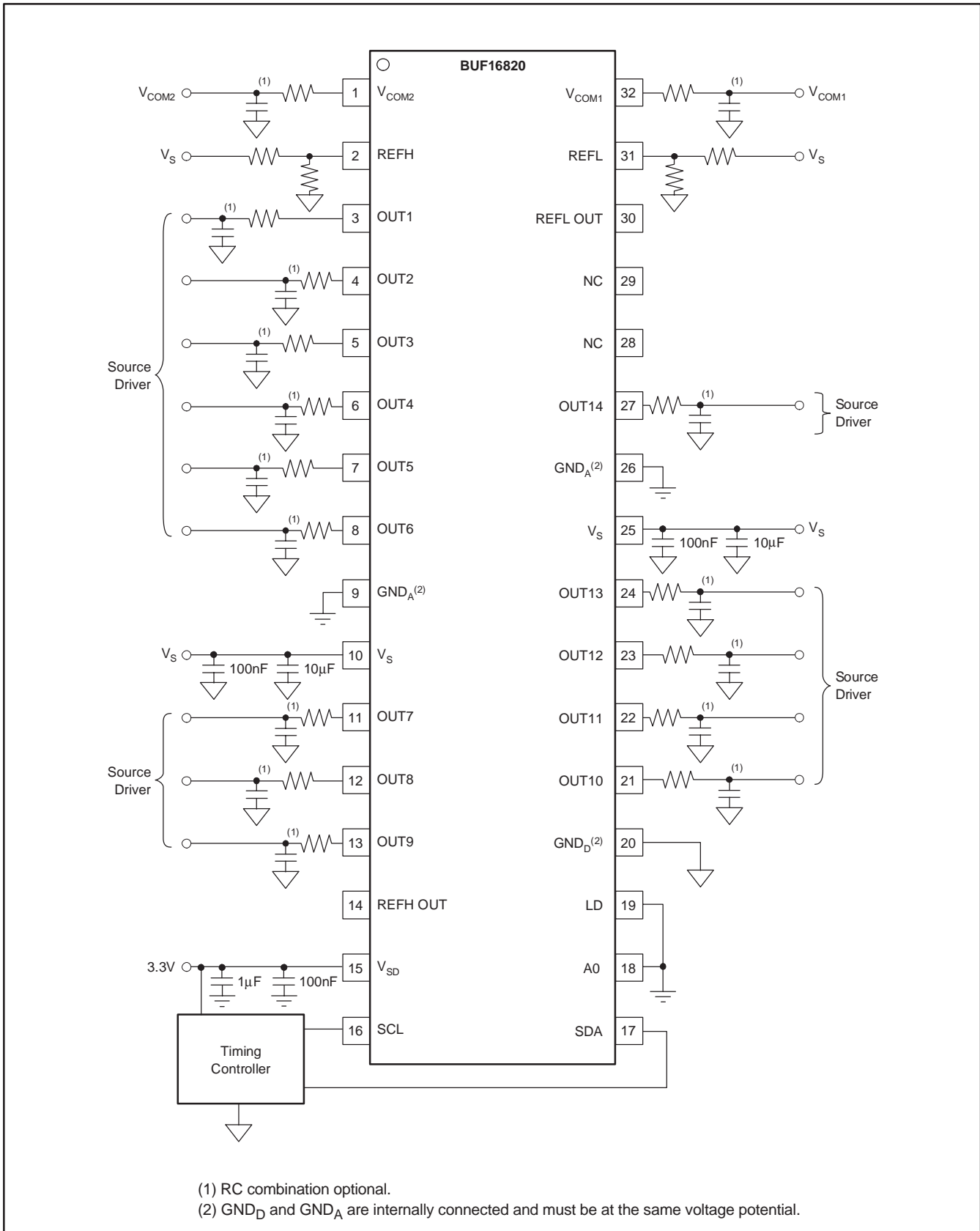


Figure 8. Typical Application Configuration

DATA RATES

The two-wire bus operates in one of three speed modes:

- Standard—allows a clock frequency of up to 100kHz;
- Fast—allows a clock frequency of up to 400kHz;
- High-speed—allows a clock frequency of up to 3.4MHz.

The BUF16820 is fully compatible with all three modes. No special action is required to use the device in Standard or Fast modes, but High-speed (Hs) mode must be activated. To activate Hs mode, send a special address byte of 00001xxx, with SCL = 400kHz, following the START condition; where xxx are bits unique to the Hs-capable master, which can be any value. This byte is called the Hs master code. (Note that this is different from normal address bytes—the low bit does not indicate read/write status.) The BUF16820 will respond to the Hs command regardless of the value of these last three bits. The BUF16820 will not acknowledge this byte; the communication protocol prohibits acknowledgement of the Hs master code. Upon receiving a master code, the BUF16820 will switch on its Hs mode filters, and communicate at up to 3.4MHz. Additional high-speed transfers may be initiated without resending the Hs mode byte by generating a repeat START without a STOP. The BUF16820 will switch out of Hs mode with the next STOP condition.

GENERAL CALL RESET AND POWER-UP

The BUF16820 responds to a General Call Reset, which is an address byte of 00h (0000 0000) followed by a data byte of 06h (0000 0110). The BUF16820 acknowledges both bytes. Upon receiving a General Call Reset, the BUF16820 performs a full internal reset, as though it had been powered off and then on. It always acknowledges the General Call address byte of 00h (0000 0000), but does not acknowledge any General Call data bytes other than 06h (0000 0110).

The BUF16820 automatically performs a reset upon power-up. As part of the reset, the BUF16820 is configured for all outputs to change either to the programmed OTP memory values, or to 0000 if the OTP values have not been programmed.

The BUF16820 resets all outputs to the OTP memory values (or to 0000 if the OTP values have not been programmed) when the device address is sent, followed by a valid DAC address with bits D7 to D5 set to '100'. If these bits are set to '010', only the DAC being addressed in this most significant byte and the following least significant byte will be reset.

OUTPUT VOLTAGE

Buffer output values are determined by the reference voltages (V_{REFH} and V_{REFL}) and the decimal value of the binary input code used to program that buffer. The value is calculated using Equation (1):

$$V_{OUT} = \left[\frac{V_{REFH} - V_{REFL}}{1024} \times \text{Decimal Value of Code} \right] + V_{REFL} \quad (1)$$

The valid voltage ranges for the reference voltages are:

$$4V \leq V_{REFH} \leq V_S - 0.2V \text{ and } 0.2V \leq V_{REFL} \leq V_S - 4V \quad (2)$$

The BUF16820 outputs are capable of a full-scale voltage output change in typically 5 μ s—no intermediate steps are required.

OUTPUT LATCH

Updating the DAC register is not the same as updating the DAC output voltage, because the BUF16820 features a double-buffered register structure. There are three methods for latching transferred data from the storage registers into the DACs to update the DAC output voltages.

Method 1 requires externally setting the latch pin (LD) LOW, LD = LOW, which updates each DAC output voltage whenever its corresponding register is updated.

Method 2 externally sets LD = HIGH to allow all DAC output voltages to retain their values during data transfer until LD = LOW, which then simultaneously updates the output voltages of all DACs to the new register values. Use this method to transfer a future data set in advance to prepare for a very fast output voltage update.

Method 3 uses software control. LD is maintained HIGH, and all DACs are updated when the master writes a '1' in bit 15 and a '0' in bit 14 of any DAC register. The update occurs after receiving the 16-bit data for the currently-written register.

The General Call Reset or a reset upon power-up updates the DAC regardless of the state of the latch pin.

ACQUIRE OF OTP MEMORY

A general acquire command updates all registers and DAC outputs to the values stored in OTP memory.

A single channel acquire command updates only the register and DAC output of the DAC corresponding to the DAC address used in the command.

General Acquire Command

1. Send a START condition on the bus.
2. Send the device address and read/write bit = LOW. The BUF16820 will acknowledge this byte.
3. Send a DAC address byte. Bits D7–D5 must be set to 100. Bits D4–D0 are any valid DAC address. Only addresses 00000 to 01101, 10010, 10011, and 10100 are valid and will be acknowledged. Table 3 shows the DAC addresses.
4. Send a STOP condition on the bus.

Following this command, all DAC registers and DAC outputs change to the OTP memory values.

Single Channel Acquire Command

1. Send a START condition on the bus.
2. Send the device address and read/write bit = LOW. The BUF16820 will acknowledge this byte.
3. Send a DAC address byte using the DAC address corresponding to the DAC output and register to update with the OTP memory value. Bits D7–D5 must be set to 010. Bits D4–D0 denote the address. Only addresses 00000 to 01101, 10010, 10011, and 10100 are valid and will be acknowledged. Table 3 shows the DAC addresses.
4. Send a STOP condition on the bus.

See Figure 12 for the timing diagrams for the acquire commands.

Table 3. DAC Register Addresses

DAC	ADDRESS
DAC_1	00000
DAC_2	00001
DAC_3	00010
DAC_4	00011
DAC_5	00100
DAC_6	00101
DAC_7	00110
DAC_8	00111
DAC_9	01000
DAC_10	01001
DAC_11	01010
DAC_12	01011
DAC_13	01100
DAC_14	01101
V _{COM1}	10010
V _{COM2}	10011
Write Disable Bit	10100

READ/WRITE OPERATIONS

Single or multiple read and write operations can be done in a single communication transaction. Writing to a DAC register differs from writing to the OTP memory. Bits D15–D14 of the most significant byte of data determine if data will be written to the DAC register or the OTP memory. See Figure 9 through Figure 11 for the timing diagrams and requirements for read/write commands.

Read/Write: DAC register

The BUF16820 is able to read from a single DAC or multiple DACs, or write to the register of a single DAC or multiple DACs in a single communication transaction. DAC addresses begin with 00000 (corresponding to DAC_1) and continue through 01101 (corresponding to DAC_14). Addresses 10010 and 10011 correspond to V_{COM1} and V_{COM2}, respectively. Address 10100 corresponds to the write disable bit.

Write commands are performed by setting the read/write bit LOW. Setting the read/write bit HIGH performs a read transaction.

Writing:

To write to a single DAC register:

1. Send a START condition on the bus.
2. Send the device address and read/write bit = LOW. The BUF16820 will acknowledge this byte.
3. Send the DAC or write disable bit address byte. Bits D7–D5 must be set to 0. Bits D4–D0 denote the address. Only addresses 00000 to 01101, 10010, 10011, and 10100 are valid and will be acknowledged. Table 3 shows the DAC addresses.
4. Send two bytes of data for the specified register. Begin by sending the most significant byte first (bits D15–D8, of which only bits D9 and D8 are used, and bits D15–D14 must not be 01), followed by the least significant byte (bits D7–D0). For address 10100, only D0 has meaning. This bit is the write disable bit. The register is updated after receiving the second byte.
5. Send a STOP condition on the bus.

The BUF16820 acknowledges each data byte. If the master terminates communication early by sending a STOP or START condition on the bus, the specified register will not be updated. Updating the DAC register is not the same as updating the DAC output voltage; see the *Output Latch* section.

The process of updating multiple DAC registers begins the same as when updating a single register. However, instead of sending a STOP condition after writing the addressed register, the master continues to send data for the next register. The BUF16820 automatically and sequentially steps through subsequent registers as

additional data are sent. The process continues until all desired registers have been updated or a STOP condition is sent.

To write to multiple DAC registers:

1. Send a START condition on the bus.
2. Send the device address and read/write bit = LOW. The BUF16820 will acknowledge this byte.
3. Send either the DAC_1 address byte to start at the first DAC, or send the address byte for whichever DAC will be the first in the sequence of DACs to be updated. The BUF16820 will begin with this DAC and step through subsequent DACs in sequential order.
4. Send the bytes of data. Begin by sending the most significant byte (bits D15–D8, of which only bits D9 and D8 have meaning, and bits D15–D14 must not be 01), followed by the least significant byte (bits D7–D0). The first two bytes are for the DAC addressed in step 3. Its register is automatically updated after receiving the second byte. The next two bytes are for the following DAC; that DAC register is updated after receiving the fourth byte. This process continues until the registers of all following DACs have been updated. The BUF16820 will continue to accept data for a total of 20 DACs; however, the four data sets following the 14th data set will be meaningless. The 19th and 20th data sets will apply to V_{COM1} and V_{COM2} . The write disable bit cannot be accessed using this method. It must be written to using the *write to a single DAC register* procedure.
5. Send a STOP condition on the bus.

The BUF16820 acknowledges each byte. To terminate communication, send a STOP or START condition on the bus. Only DAC registers that have received both bytes of data will be updated.

Reading:

Reading a DAC register returns the data stored in the DAC. This data can differ from the data stored in the DAC register; see the *Output Latch* section.

To read the DAC value:

1. Send a START condition on the bus.
2. Send the device address and read/write bit = LOW. The BUF16820 will acknowledge this byte.
3. Send the DAC address byte. Bits D7–D5 must be set to 0; Bits D4–D0 are the DAC address. Only addresses 00000 to 01101, 10010, 10011, and 10100 are valid and will be acknowledged. For address 10100, only D0 has meaning. This bit is the write disable bit.

4. Send a START or STOP/START condition.
5. Send correct device address and read/write bit = HIGH. The BUF16820 will acknowledge this byte.
6. Receive two bytes of data. They are for the specified DAC. The first received byte is the most significant byte (bits D15–D8; only bits D9 and D8 have meaning), and the next byte is the least significant byte (bits D7–D0).
7. Acknowledge after receiving the first byte.
8. Send a STOP condition on the bus or do not acknowledge the second byte to end the read transaction.

Communication may be terminated by sending a premature STOP or START condition on the bus, or by not sending the acknowledge.

To Read Multiple DACs:

1. Send a START condition on the bus.
2. Send the device address and read/write bit = LOW. The BUF16820 will acknowledge this byte.
3. Send either the DAC_1 address byte to start at the first DAC, or send the address byte for whichever DAC will be the first in the sequence of DACs to be read. The BUF16820 will begin with this DAC and step through subsequent DACs in sequential order. The BUF16820 will continue to accept data for a total of 20 DACs; however, the four data sets following the 14th data set will be meaningless. The 19th and 20th data sets will apply to V_{COM1} and V_{COM2} .
4. Send a START or STOP/START condition on the bus.
5. Send correct device address and read/write bit = HIGH. The BUF16820 will acknowledge this byte.
6. Receive two bytes of data. They are for the specified DAC. The first received byte is the most significant byte (bits D15–D8; only bits D9 and D8 have meaning), and the next byte is the least significant byte (bits D7–D0).
7. Acknowledge after receiving each byte.
8. When all desired DACs have been read, send a STOP or START condition on the bus.

Communication may be terminated by sending a premature STOP or START condition on the bus, or by not sending the acknowledge.

Write: OTP Memory for the DAC Register

The BUF16820 is able to write to the OTP memory of a single DAC, or multiple DACs in a single communication transaction. DAC addresses begin with 00000 (corresponding to DAC_1) through 01101 (corresponding to DAC_14). Addresses 10010 and 10011 correspond to V_{COM1} and V_{COM2} , respectively. Address 10100 corresponds to the write disable bit.

When programming the OTP memory, the analog supply voltage must be between 8.5V and 18V.

Write commands are performed by setting the read/write bit LOW.

To write to a single OTP register:

1. Send a START condition on the bus.
2. Send the device address and read/write bit = LOW. The BUF16820 will acknowledge this byte.
3. Send the DAC address byte. Bits D7–D5 must be set to 0. Bits D4–D0 are the DAC address. Only addresses 00000 to 01101, 10010, 10011, and 10100 are valid and will be acknowledged. Table 3 shows the DAC addresses.
4. Send two bytes of data for the OTP register of the specified DAC. Begin by sending the most significant byte first (bits D15–D8, of which only bits D9 and D8 are data bits, and bits D15–D14 must be 01), followed by the least significant byte (bits D7–D0). For address 10100, only D0 has meaning. This bit is the write disable bit. The register is updated after receiving the second byte.
5. Send a STOP condition on the bus.

The BUF16820 will acknowledge each data byte. If the master terminates communication early by sending a STOP or START condition on the bus, the specified OTP register will not be updated. Writing to an OTP register also updates the DAC register and output voltage.

To write to multiple OTP registers:

1. Send a START condition on the bus.
2. Send the device address and read/write bit = LOW. The BUF16820 will acknowledge this byte.
3. Send either the DAC_1 address byte to start at the OTP register of the first DAC, or send the address byte for whichever DAC will be the first in the sequence to be updated. The BUF16820 will begin with the OTP register of this DAC and step through subsequent registers in sequential order.
4. Send the bytes of data. Begin by sending the most significant byte (bits D15–D8, of which only bits D9 and D8 have meaning, and bits D15–D14 must be 01), followed by the least significant byte (bits D7–D0). The first two bytes are for the OTP register of the DAC addressed in step 3. This OTP register is automatically updated after receiving the second byte. The next two bytes are for the OTP register of the following DAC (bits D15–D14 must again be 01). That DAC OTP register is updated after receiving the fourth byte. This process continues until the registers of all following DAC OTP registers have been updated. The BUF16820 will continue to accept data for a total of 20 DACs; however, the four data sets following the 14th data set will be meaningless. The 19th and 20th data sets will apply to V_{COM1} and V_{COM2} . The write disable bit cannot be accessed using this method. It must be written to using the *write to a single OTP register* procedure.
5. Send a STOP condition on the bus.

The BUF16820 will acknowledge each byte. To terminate communication, send a STOP or START condition on the bus. Only DAC registers that have received both bytes of data are programmed.

OTP WRITE DISABLE

Writing a '1' in bit D0 of register 10100 disables all future writes. The state of this bit can be accessed the same as any other data bit. It is important to set this bit to '1' after the OTP registers have been programmed in order to prevent accidental changes to the OTP registers. Until bit D0 of register 10100 is set to '1', any OTP register bit can be changed from '0' to '1'; however, once a bit is set to a '1', it cannot be set back to '0'.

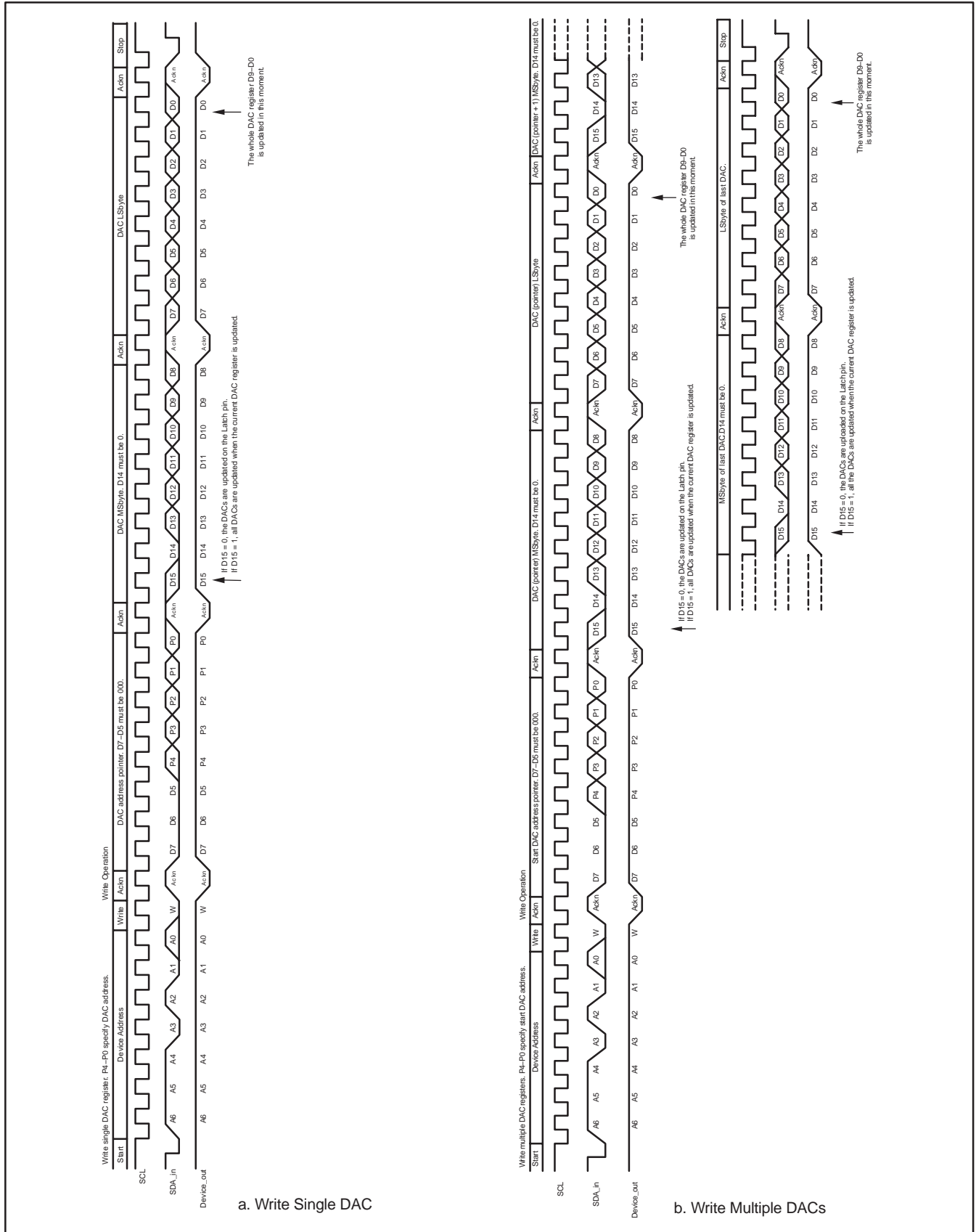


Figure 9. Timing Diagram for Write DAC Register

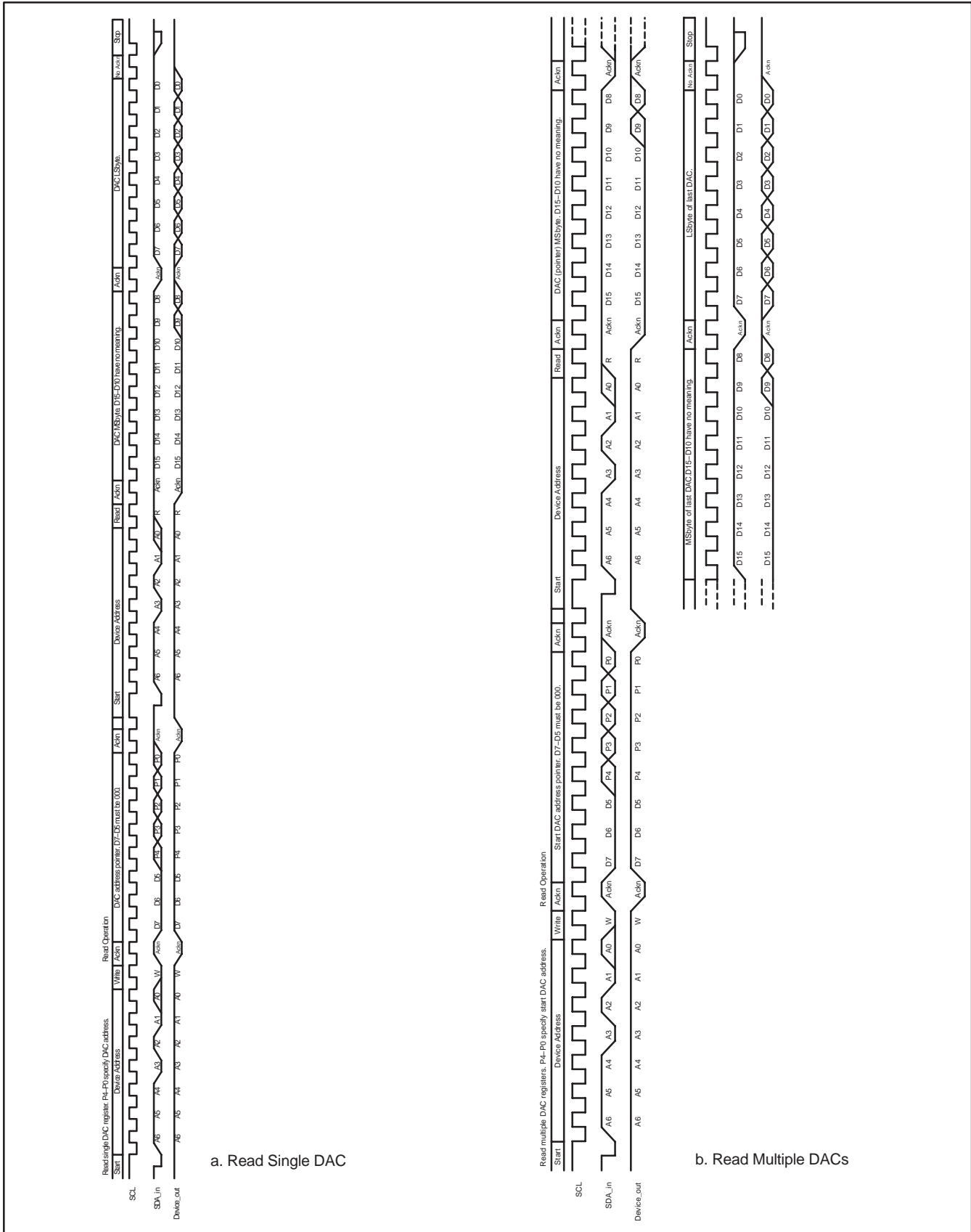


Figure 10. Timing Diagram for Read DAC Register

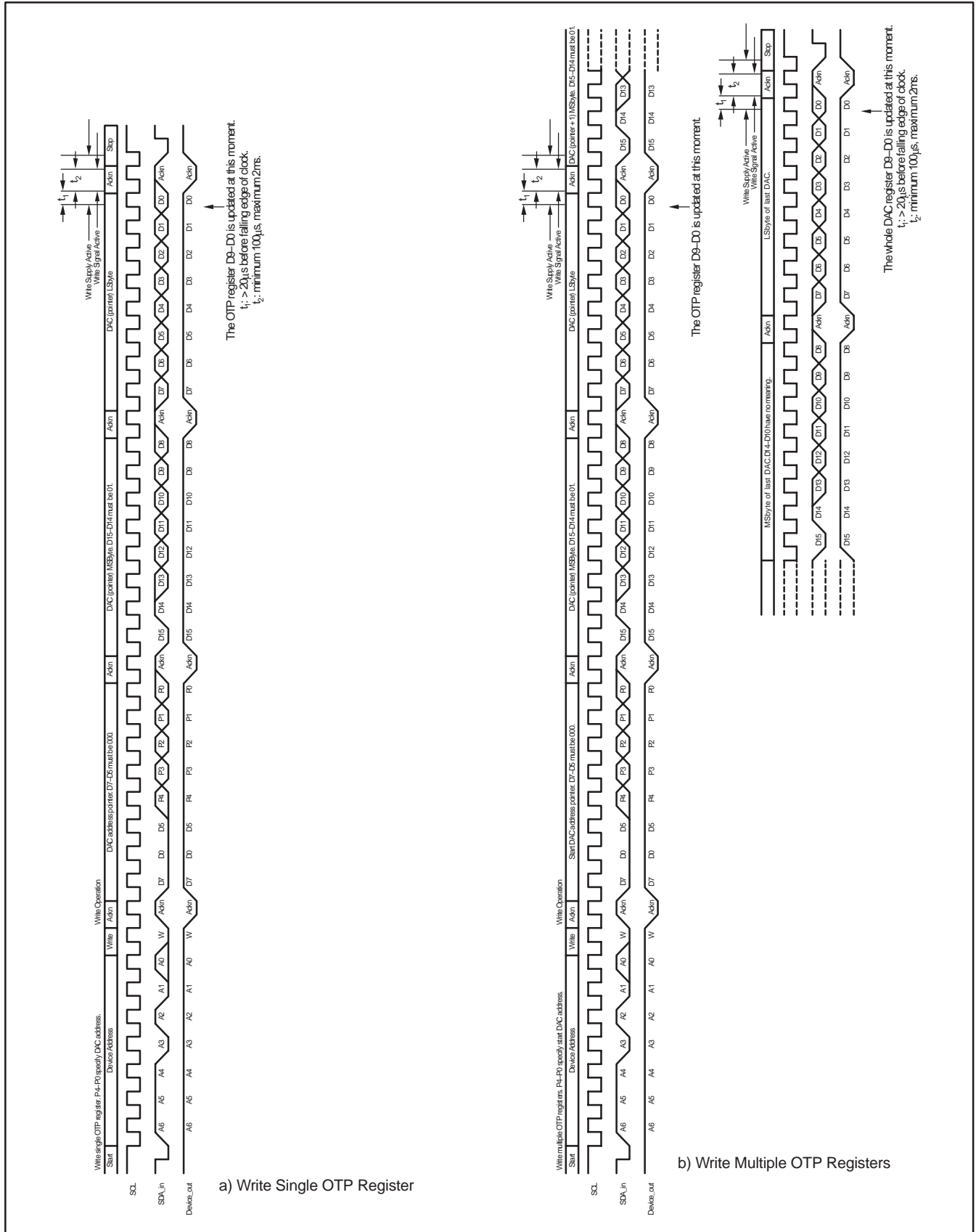


Figure 11. Timing Diagram for Write OTP Register

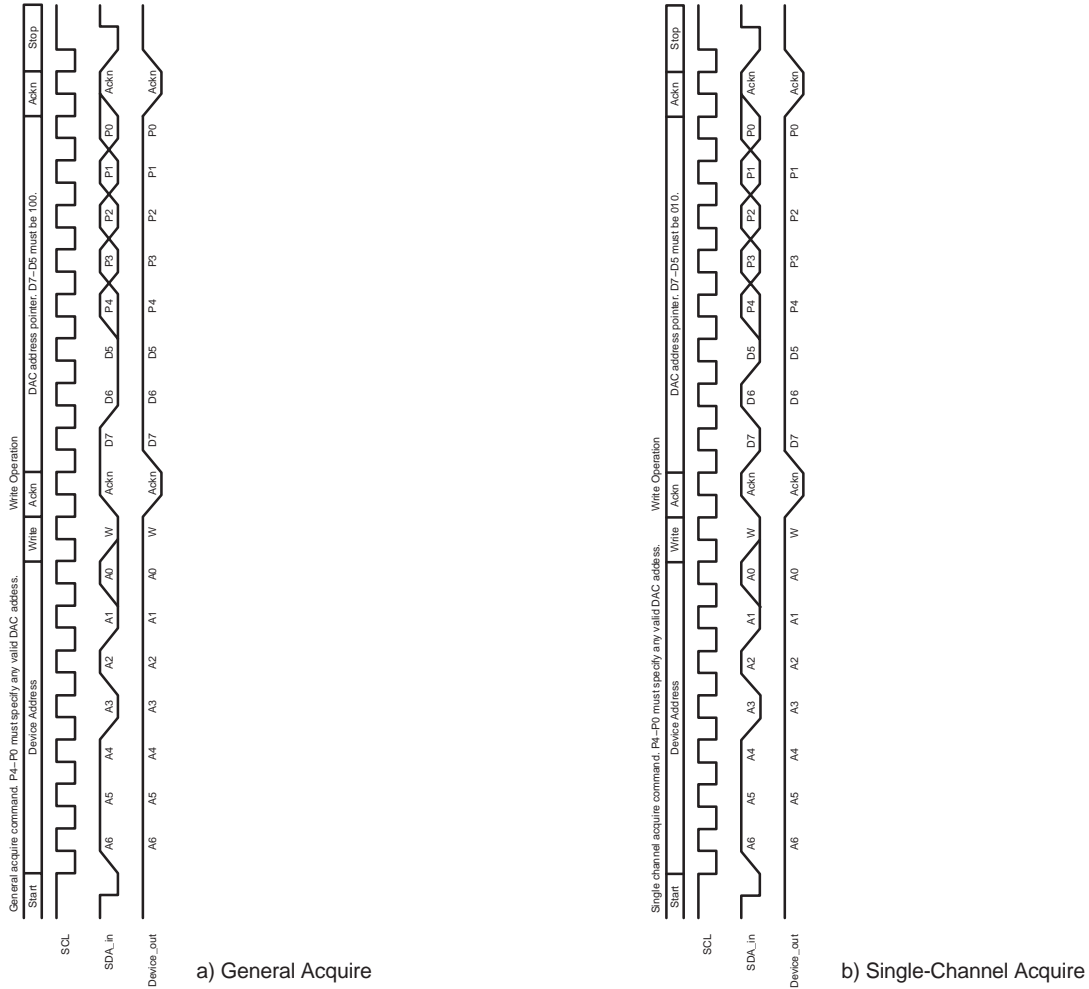


Figure 12. Timing Diagram for Acquire Operation

REPLACEMENT OF TRADITIONAL GAMMA BUFFER

Traditional gamma buffers rely on a resistor string (often using expensive 0.1% resistors) to set the gamma voltages. During development, the optimization of these gamma voltages can be time consuming. Programming these gamma voltages with the BUF16820 can significantly reduce the time required for gamma voltage optimization. The final gamma values can be written into the internal OTP memory to replace a traditional gamma buffer solution. Figure 13a shows the traditional resistor string; Figure 13b shows the more efficient alternative method using the BUF16820.

The BUF16820 uses the most advanced high-voltage CMOS process available today, which allows it to be competitive with traditional gamma buffers.

Programmability offers the following advantages:

- Shortens development time significantly.
- Increases reliability by eliminating more than 18 external components.
- Eliminates manufacturing variance between panels.
- Allows a single panel to be built for multiple customers, with loading of customer-dependent gamma curves during final production. This method significantly lowers inventory cost and risk, and simplifies inventory management.
- Allows demonstration of various gamma curves to LCD monitor makers by simply uploading a different set of gamma values.
- Allows simple adjustment of gamma curves during production to accommodate changes in the panel manufacturing process or end-customer requirements.
- Decreases cost and space.

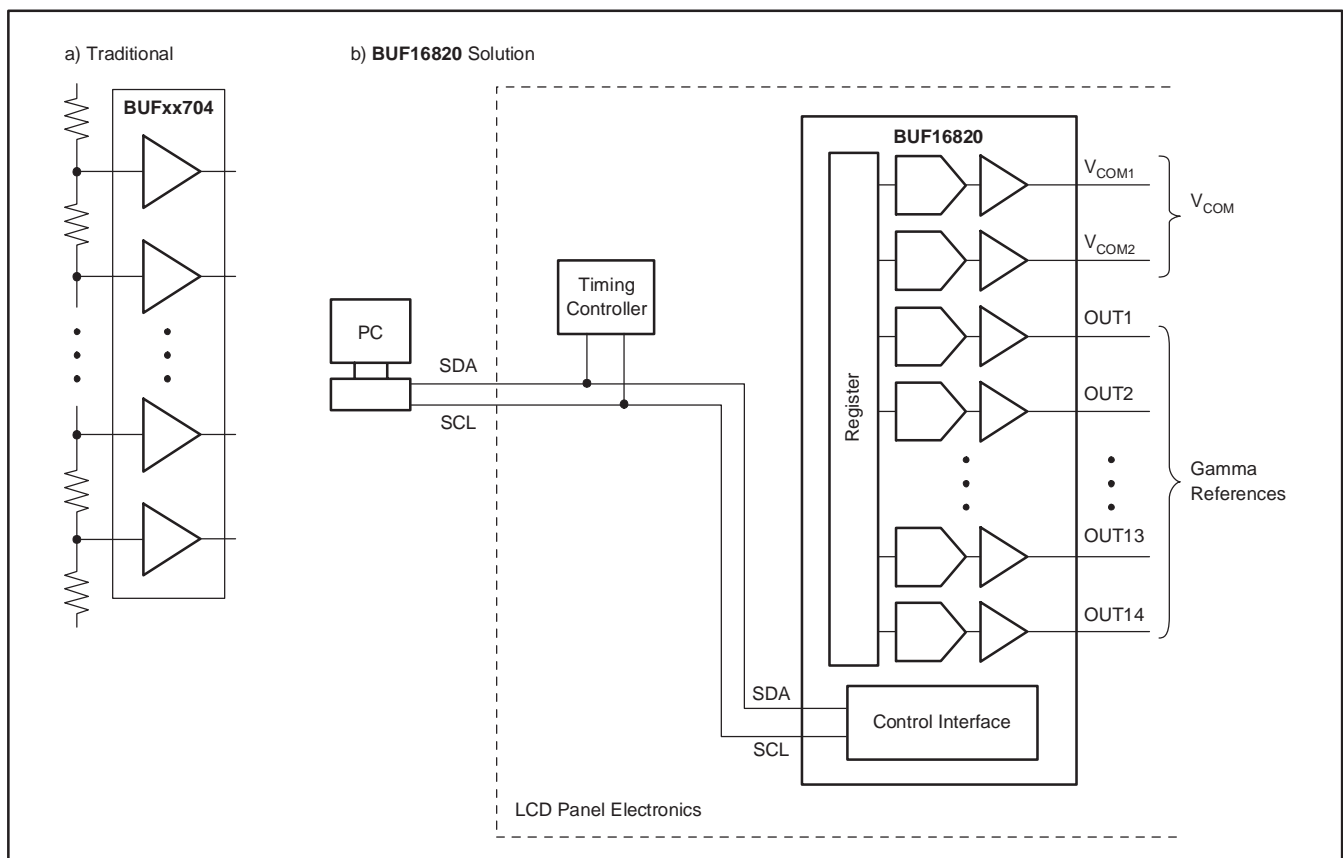


Figure 13. Replacement of the Traditional Gamma Buffer

PROGRAMMABLE V_{COM}

The V_{COM} channels of the BUF16820 can swing to 2.5V from the positive supply rail while sourcing 100mA, and to 1V above the negative rail while sinking 100mA (see Figure 4, typical characteristic *Output Voltage vs Output Current*). The gamma and the V_{COM} values can be permanently stored in the internal OTP memory. The V_{COM} channels can be programmed independantly from the gamma channels. Figure 14 shows the BUF16820 being used for V_{COM} voltages.

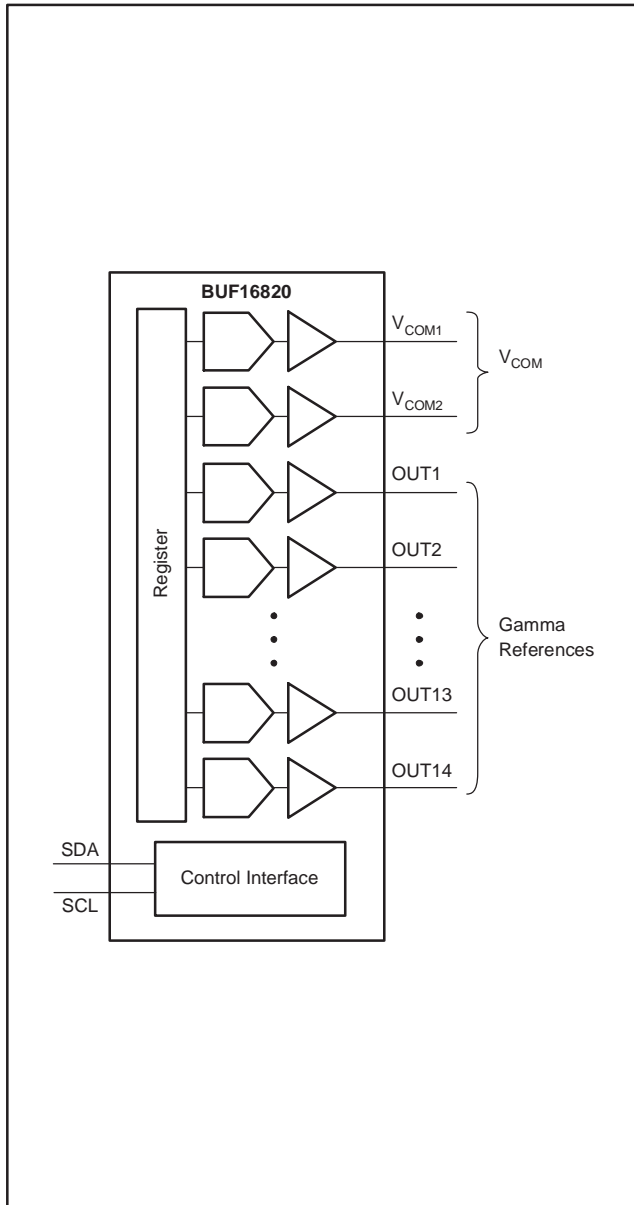


Figure 14. BUF16820 Used for Programmable V_{COM}

REFH AND REFL INPUT RANGE

Best performance and output swing range of the BUF16820 are achieved by applying REFH and REFL voltages that are slightly below the power-supply voltages. Most specifications have been tested at $REFH = V_S - 200mV$ and $REFL = GND + 200mV$. The REFH internal buffer is designed to swing very closely to V_S , and the REFL internal buffer to GND. However, there is a finite limit on how close they can swing before saturating. To avoid saturation of the internal REFH and REFL buffers, the REFH voltage should not be greater than $V_S - 100mV$ and REFL voltage should not be lower than $GND + 100mV$. Figure 15 shows the swing capability of the REFH and REFL buffers.

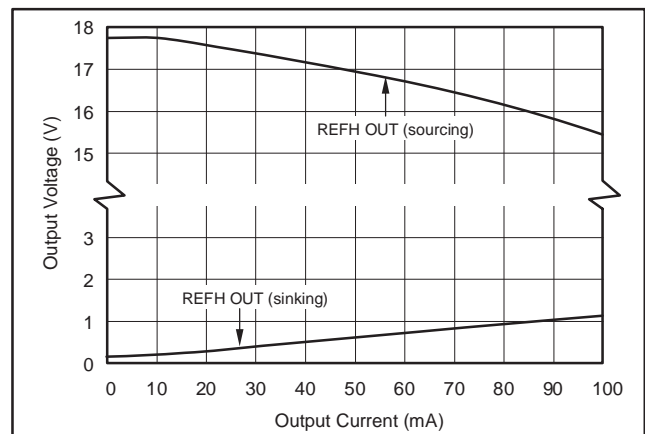


Figure 15. Reference Buffer Output Voltage vs Output Current

The other consideration when trying to maximize the output swing capability of the gamma buffers is the limitation in the swing range of output buffers (OUT1–14, V_{COM1} , and V_{COM2}), which depends on the load current. A typical load in the LCD application is 5mA to 10mA. For example, if OUT1 is sourcing 10mA, the swing is typically limited to about $V_S - 200mV$. The same applies to OUT14, which typically limits at $GND + 200mV$ when sinking 10mA. An increase in output swing can only be achieved for much lighter loads. For example, a 3mA load typically allows the swing to be increased to approximately $V_S - 100mV$ and $GND + 100mV$.

Connecting REFH directly to V_S and REFL directly to GND does not damage the BUF16820. As discussed above however, the output stages of the REFH and REFL buffers will saturate. This condition is not desirable and can result in a small error in the measured output voltages of OUT1–14, V_{COM1} , and V_{COM2} . As described above, this method of connecting REFH and REFL does not help to maximize the output swing capability.

CONFIGURATION FOR 16 GAMMA CHANNELS

The V_{COM} outputs can be used as additional gamma references in order to achieve two additional gamma channels (16 total). The V_{COM} outputs will behave the same as the OUT1–9 outputs when sourcing or sinking smaller currents (see the Typical Characteristics, Figure 4). The V_{COM} outputs are better able to swing to the positive rail than to the negative rail. Therefore, it is better to use the V_{COM} outputs for higher reference voltages, as shown in Figure 16.

CONFIGURATION FOR 18 GAMMA CHANNELS

In addition to the V_{COM} outputs, the REFH and REFL OUT outputs can also be used as fixed gamma references. The output voltage is set by the REFH and REFL input

voltages, respectively. Therefore, REFH OUT should be used for the highest voltage gamma reference, and REFL OUT for the lowest voltage gamma reference. An 18-channel solution can be created by using all 14 outputs, the two V_{COM} outputs, and both REFH/L OUT outputs for gamma references; see Figure 17. However, the REFH and REFL OUT buffers were designed to only drive light loads on the order of 5mA to 10mA. Driving capacitive loads is not recommended with these buffers. In addition, the REFH and REFL buffers must not be allowed to saturate from sourcing/sinking too much current from REFH OUT or REFL OUT. Saturation of the REFH and REFL buffers results in errors in the voltages of OUT1–14, V_{COM1} , and V_{COM2} . The BUF01900 (anticipated release in Q2 '06), can be used to provide a programmable V_{COM} output.

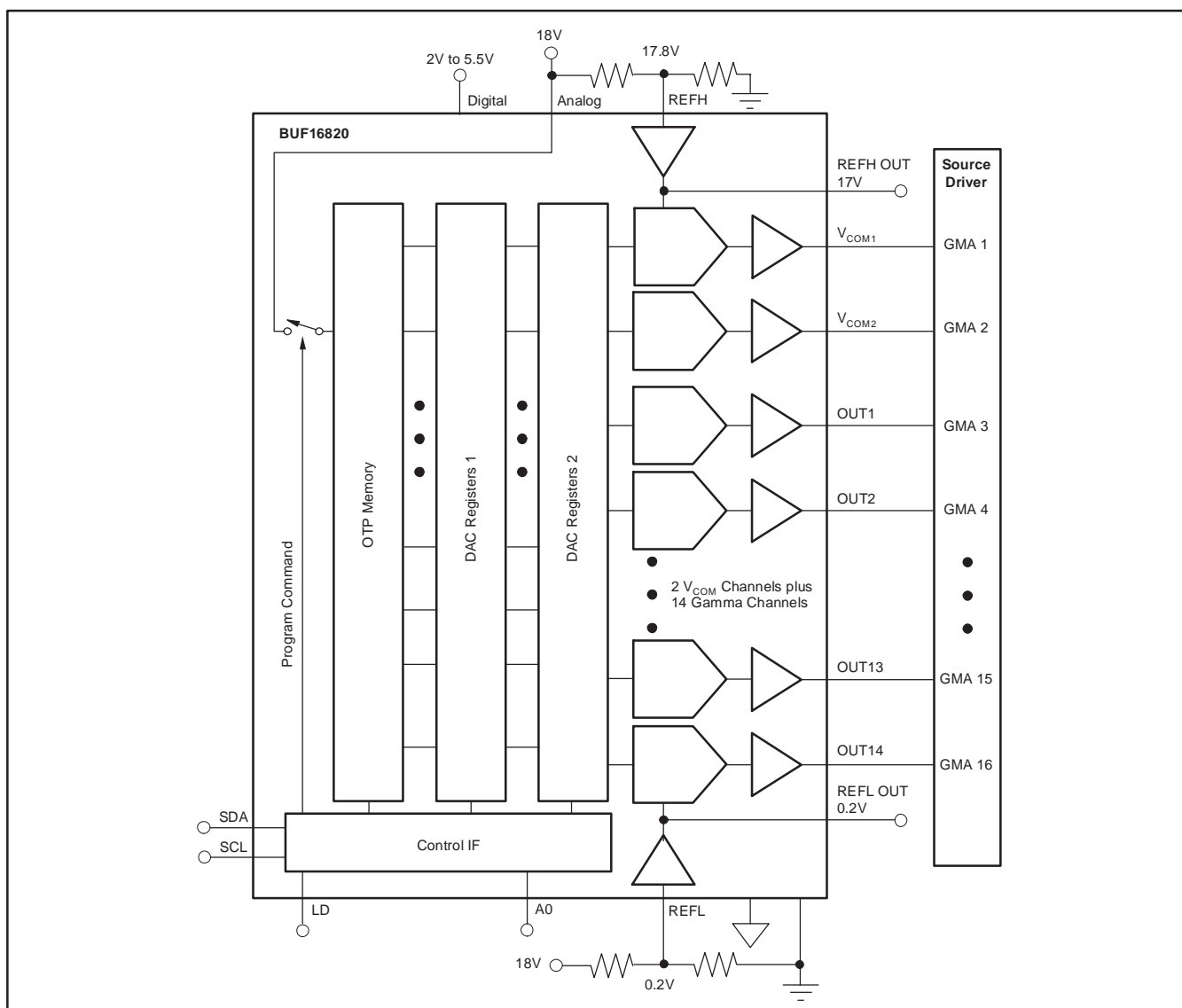


Figure 16. 16 Gamma Channel Solution—2 V_{COM} Channels Used as Additional Gamma Channels

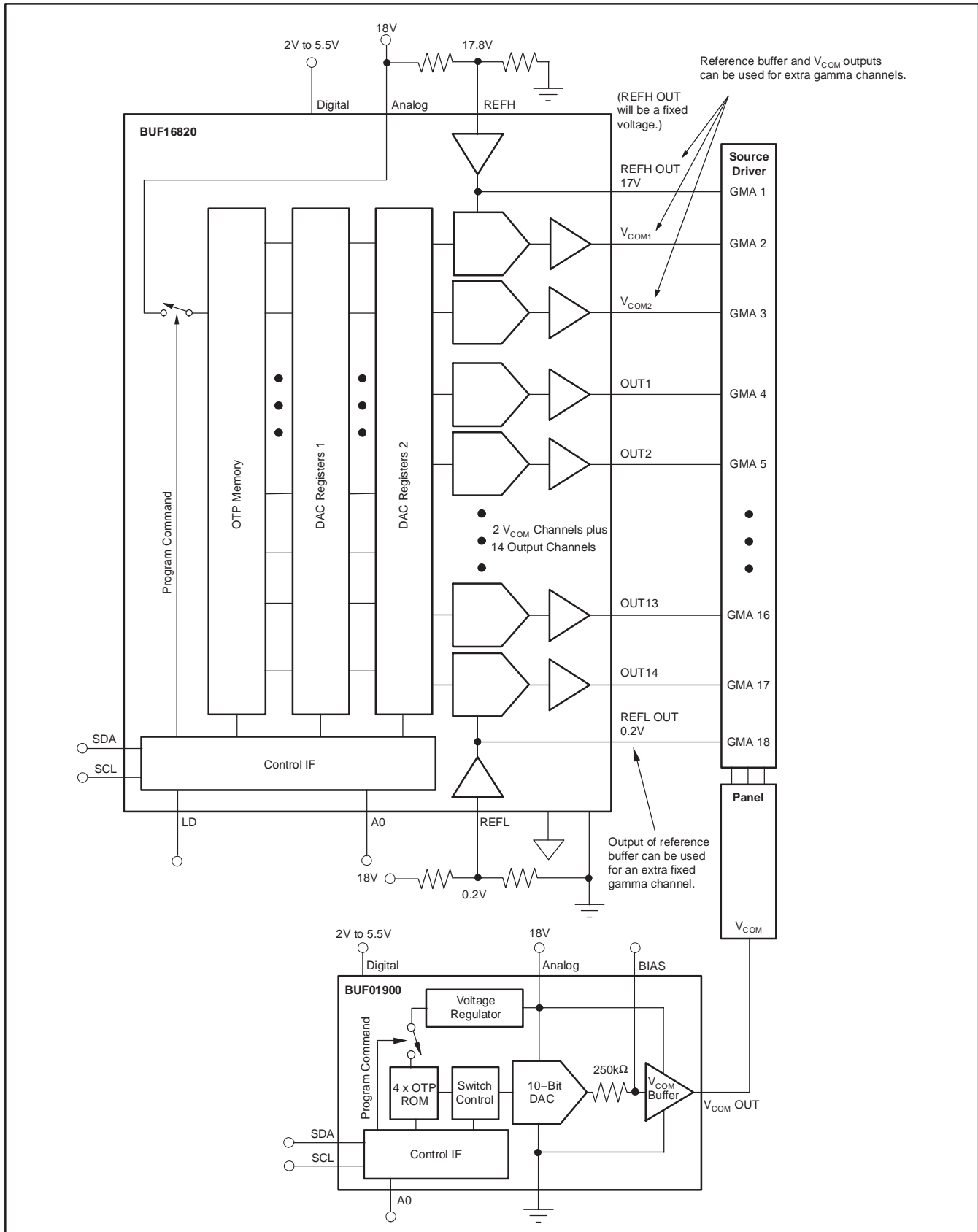


Figure 17. 18-Gamma Channel Solution

DYNAMIC GAMMA CONTROL

Dynamic gamma control is a technique used to improve the picture quality in LCD TV applications. The brightness in each picture frame is analyzed and the gamma curves are adjusted on a frame-by-frame basis. The gamma curves are typically updated during the short vertical blanking period in the video signal. Figure 18 shows a block diagram using the BUF16820 for dynamic gamma control and V_{COM} output.

The BUF16820 is ideally suited for rapidly changing the gamma curves because of its unique topology:

- Double register input structure to the DAC.
- Fast serial interface.
- Simultaneous updating of all DACs by software. See the *Read/Write Operations* and the *Output Latch* sections.

The double register input structure saves programming time by allowing updated DAC values to be pre-loaded into the first register bank. Storage of this data can occur while a picture is still being displayed. Since the data are only stored into the first register bank, the DAC output values remain unchanged—the display is unaffected. During the vertical sync period, the DAC outputs (and therefore, the gamma voltages) can be quickly updated either by using an additional control line connected to the LD pin, or through software—writing a ‘1’ in bit 15 of any DAC register. For the details on the operation of the double register input structure, see the *Output Latch* section.

Example: Update all 14 gamma registers simultaneously via software.

Step 1: Check if LD pin is placed in HIGH state.

Step 2: Write DAC Registers 1–14 with bit 15 always ‘0’.

Step 3: Write any DAC register a second time with identical data. Make sure that bit 15 is ‘1’. All DAC channels will be updated simultaneously after receiving the last bit of data. (Note: this step may be eliminated by setting bit 15 of DAC 14 to ‘1’ in the previous step.)

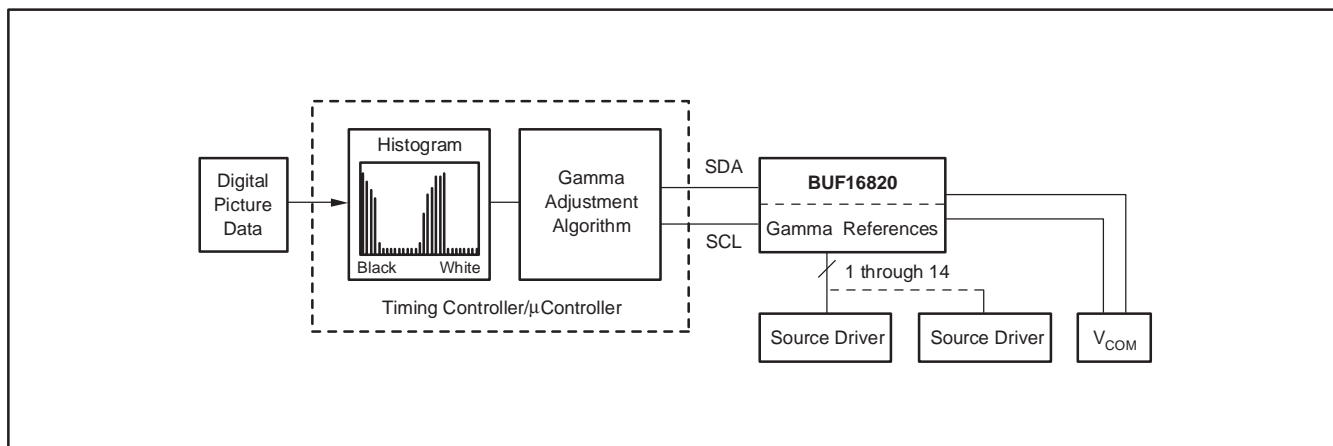


Figure 18. Dynamic Gamma Control

TOTAL TI PANEL SOLUTION

In addition to the BUF16820 programmable voltage reference, TI offers a complete set of ICs for the LCD panel market, including gamma correction buffers, various power-supply solutions, and audio power solutions. See Figure 19 for the total IC solution from TI.

THE BUF16820 IN INDUSTRIAL APPLICATIONS

The wide supply range, high output current, and very low cost make the BUF16820 attractive for a range of medium accuracy industrial applications such as programmable power supplies, multi-channel data-acquisition systems, data-loggers, sensor excitation and linearization, power-supply generation, and more. Each DAC channel features 1LSB DNL and INL.

Many systems require different levels of biasing and power supply for various components, as well as sensor excitation, control-loop set-points, voltage outputs, current

outputs, and other functions. The BUF16820, with its 16 total programmable DAC channels, provides great flexibility to the entire system by allowing the designer to change all these parameters via software.

Figure 20 provides various examples of how the BUF16820 can be used in applications. A microcontroller with a two-wire serial interface controls the various DACs of the BUF16820. The BUF16820 can be used for:

- Sensor excitation
- Programmable bias/reference voltages
- Variable power-supplies
- High-current voltage output
- 4-20mA output
- Set-point generators for control loops

NOTE: At power-up, the output voltages of the BUF16820 DACs are set to either the programmed OTP memory values, or to 0000 if the OTP values have not been programmed.

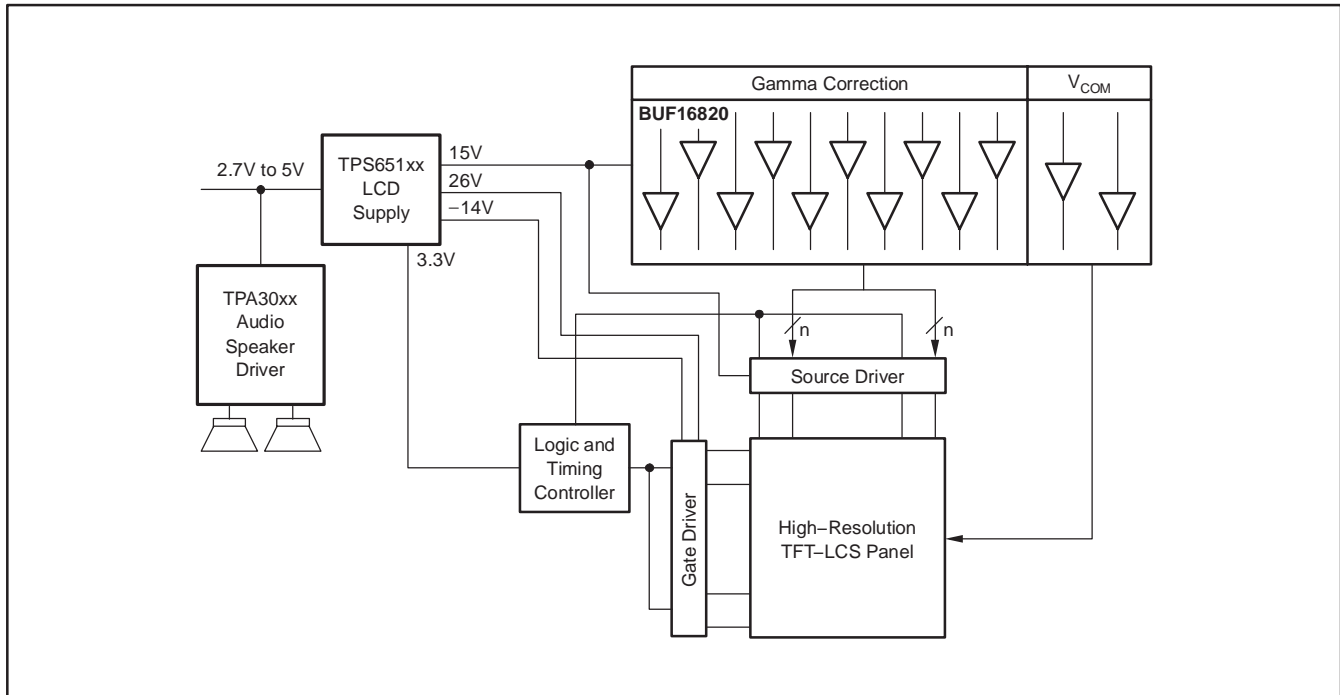


Figure 19. TI LCD Solution

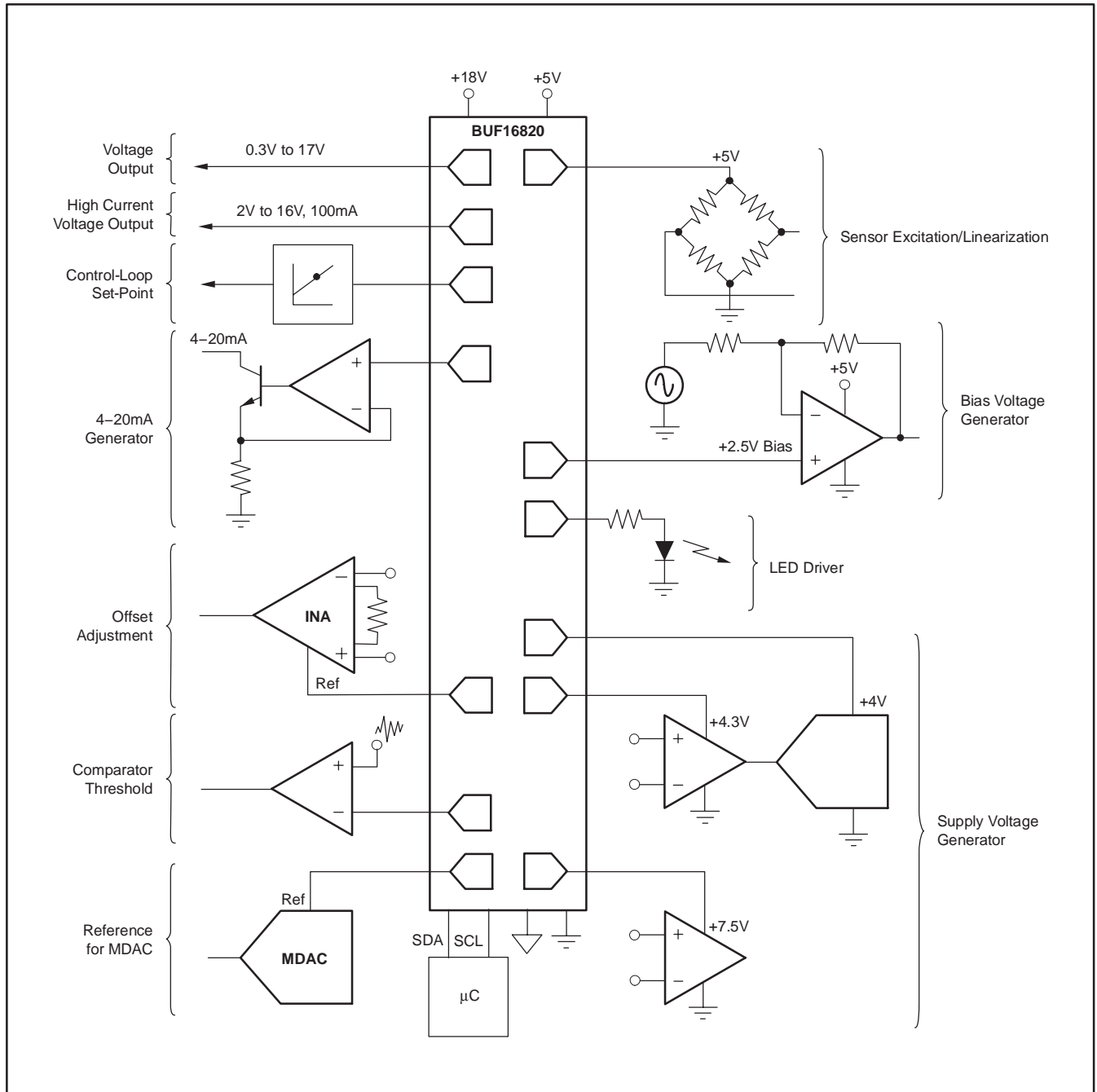


Figure 20. Industrial Applications for the BUF16820

EVALUATION BOARD AND SOFTWARE

An evaluation board is available for the BUF16820, as shown in Figure 21. The evaluation board features easy-to-use software that allows individual channel

voltages to be set. Configurations can be quickly evaluated to determine optimal codes for a given application. Contact your local TI representative for more information regarding the evaluation board.

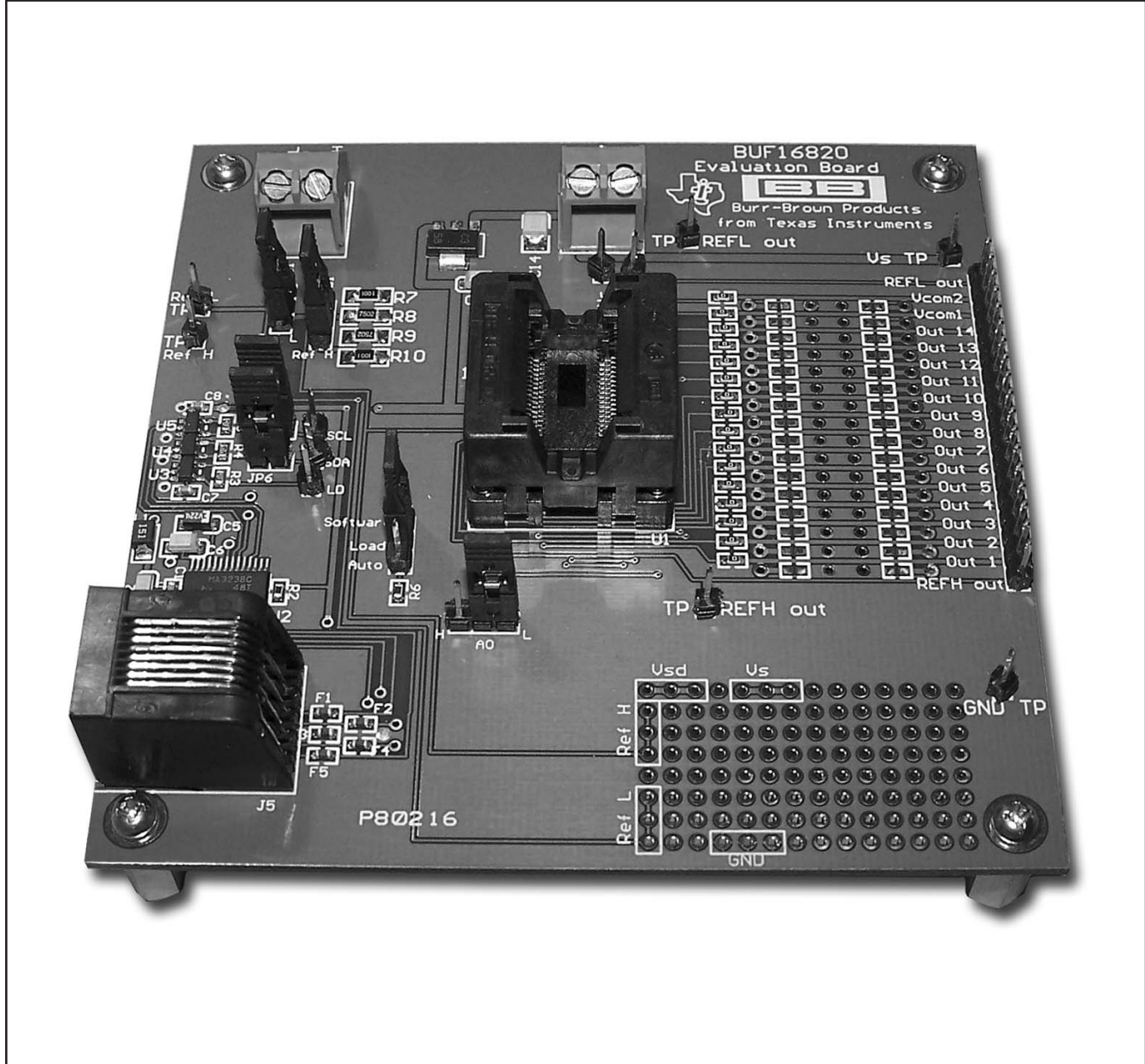


Figure 21. Evaluation Board

GENERAL POWERPAD DESIGN CONSIDERATIONS

The BUF16820 is available in a thermally-enhanced PowerPAD package. This package is constructed using a downset leadframe upon which the die is mounted; see Figure 22(a) and Figure 22(b). This arrangement results in the lead frame being exposed as a thermal pad on the underside of the package; see Figure 22(c). This thermal pad has direct thermal contact with the die; thus, excellent thermal performance is achieved by providing a good thermal path away from the thermal pad.

The PowerPAD package allows for both assembly and thermal management in one manufacturing operation. During the surface-mount solder operation (when the leads are being soldered), the thermal pad must be soldered to a copper area underneath the package. Through the use of thermal paths within this copper area, heat can be conducted away from the package into either a ground plane or other heat-dissipating device. **Soldering the PowerPAD to the printed circuit board (PCB) is always required, even with applications that have low power dissipation.** This provides the necessary thermal and mechanical connection between the lead frame die pad and the PCB.

The PowerPAD must be connected to the most negative supply voltage on the device, GND_A and GND_D .

1. Prepare the PCB with a top-side etch pattern. There should be etching for the leads as well as for the thermal pad.
2. Place recommended holes in the area of the thermal pad. Ideal thermal land size and thermal via patterns (3x6) for the HTSSOP-32 DAP package can be seen in the technical brief, *PowerPAD Thermally-Enhanced Package* (SLMA002), available for download at www.ti.com. These holes should be 13 mils in diameter. Keep them small, so that solder wicking through the holes is not a problem during reflow.
3. Additional vias may be placed anywhere along the thermal plane outside of the thermal pad area. This helps dissipate the heat generated by the BUF16820 IC. These additional vias may be larger than the 13-mil diameter vias directly under the thermal pad. They can be larger because they are not in the thermal pad area to be soldered; thus, wicking is not a problem.
4. Connect all holes to the internal plane that is at the same voltage potential as the GND pins.
5. When connecting these holes to the internal plane, do not use the typical web or spoke via connection methodology. Web connections have a high thermal resistance connection that is useful for slowing the heat transfer during soldering operations. This makes the soldering of vias that have plane connections easier. In this application, however, low thermal resistance is desired for the most efficient heat transfer. Therefore, the holes under the BUF16820 PowerPAD package should make their connection to the internal plane with a complete connection around the entire circumference of the plated-through hole.
6. The top-side solder mask should leave the terminals of the package and the thermal pad area with its ten holes exposed. The bottom-side solder mask should cover the holes of the thermal pad area. This masking prevents solder from being pulled away from the thermal pad area during the reflow process.
7. Apply solder paste to the exposed thermal pad area and all of the IC terminals.
8. With these preparatory steps in place, the BUF16820 IC is simply placed in position and run through the solder reflow operation as any standard surface-mount component. This preparation results in a properly installed part.

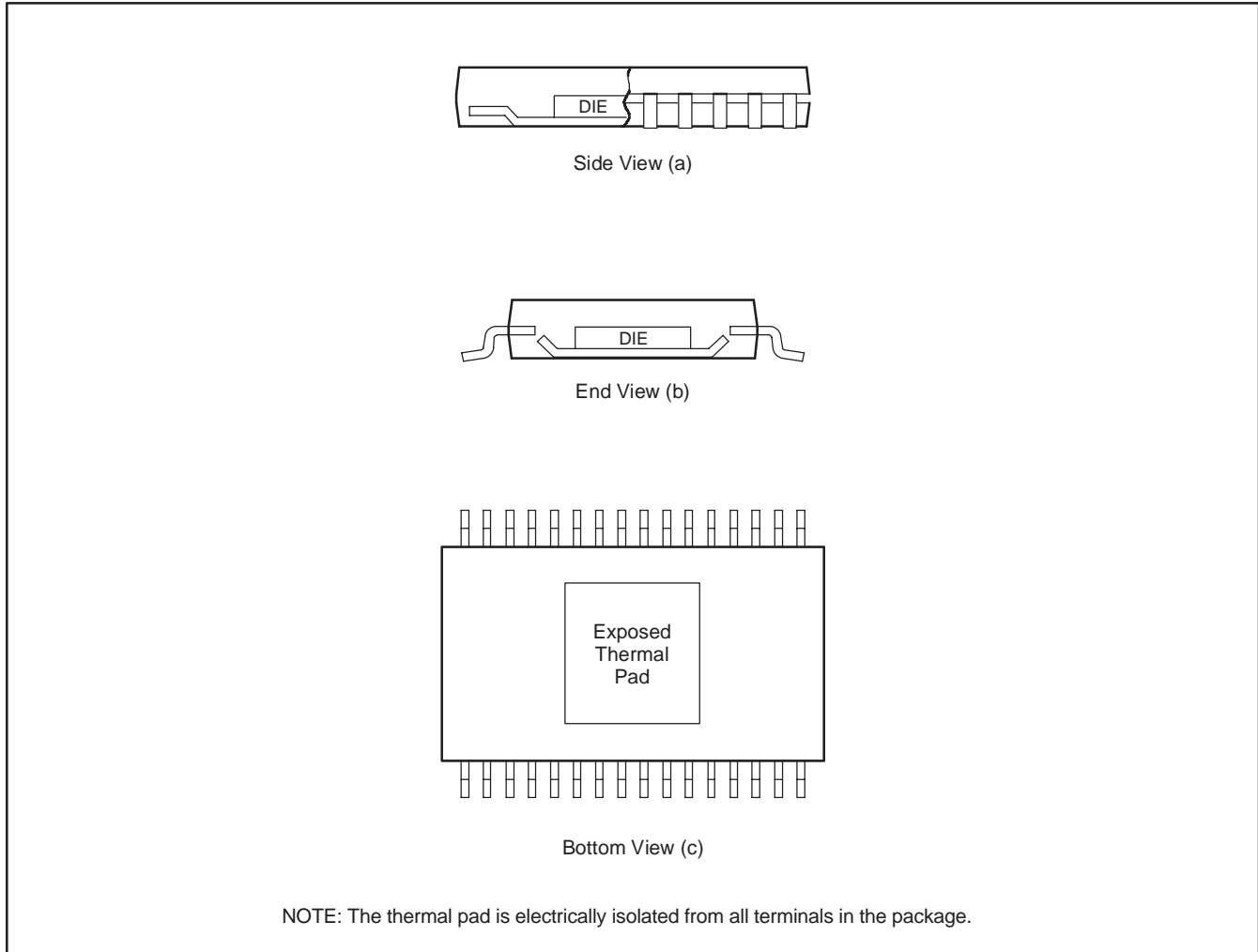


Figure 22. Views of Thermally-Enhanced DCP Package

For a given θ_{JA} , the maximum power dissipation is shown in Figure 23, and is calculated by Equation 3:

$$P_D = \left(\frac{T_{MAX} - T_A}{\theta_{JA}} \right) \quad (3)$$

Where:

P_D = maximum power dissipation (W)

T_{MAX} = absolute maximum junction temperature (+125°C)

T_A = free-ambient air temperature (°C)

$\theta_{JA} = \theta_{JC} + \theta_{CA}$

θ_{JC} = thermal coefficient from junction-to-case (°C/W)

θ_{CA} = thermal coefficient from case-to-ambient air (°C/W)

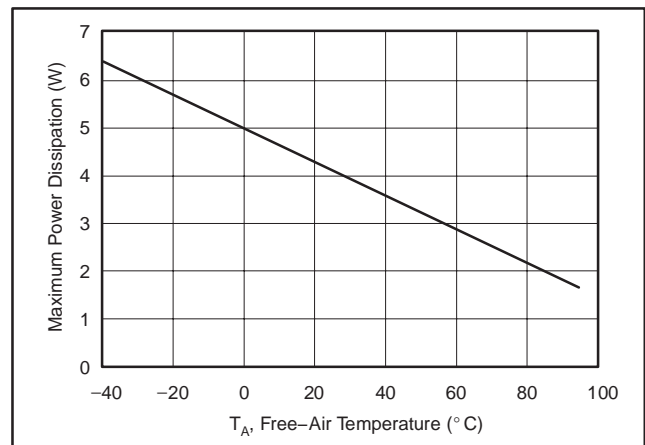


Figure 23. Maximum Power Dissipation vs Free-Air Temperature (with PowerPAD soldered down)

PACKAGING INFORMATION

Orderable Device	Status ⁽¹⁾	Package Type	Package Drawing	Pins	Package Qty	Eco Plan ⁽²⁾	Lead/Ball Finish	MSL Peak Temp ⁽³⁾
BUF16820AIDAPR	ACTIVE	HTSSOP	DAP	32	2000	Green (RoHS & no Sb/Br)	CU NIPDAU	Level-2-260C-1 YEAR
BUF16820AIDAPRG4	ACTIVE	HTSSOP	DAP	32	2000	Green (RoHS & no Sb/Br)	CU NIPDAU	Level-2-260C-1 YEAR

⁽¹⁾ The marketing status values are defined as follows:

ACTIVE: Product device recommended for new designs.

LIFEBUY: TI has announced that the device will be discontinued, and a lifetime-buy period is in effect.

NRND: Not recommended for new designs. Device is in production to support existing customers, but TI does not recommend using this part in a new design.

PREVIEW: Device has been announced but is not in production. Samples may or may not be available.

OBsolete: TI has discontinued the production of the device.

⁽²⁾ Eco Plan - The planned eco-friendly classification: Pb-Free (RoHS), Pb-Free (RoHS Exempt), or Green (RoHS & no Sb/Br) - please check <http://www.ti.com/productcontent> for the latest availability information and additional product content details.

TBD: The Pb-Free/Green conversion plan has not been defined.

Pb-Free (RoHS): TI's terms "Lead-Free" or "Pb-Free" mean semiconductor products that are compatible with the current RoHS requirements for all 6 substances, including the requirement that lead not exceed 0.1% by weight in homogeneous materials. Where designed to be soldered at high temperatures, TI Pb-Free products are suitable for use in specified lead-free processes.

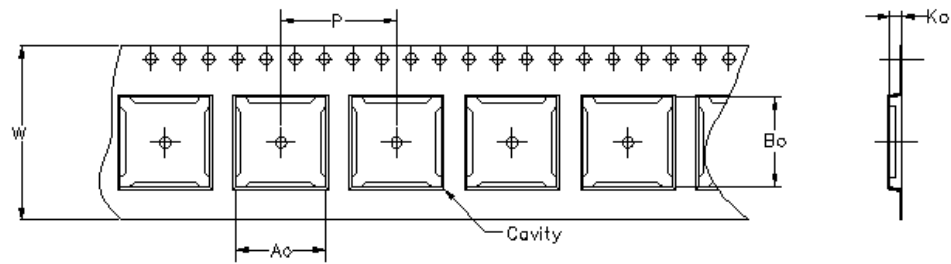
Pb-Free (RoHS Exempt): This component has a RoHS exemption for either 1) lead-based flip-chip solder bumps used between the die and package, or 2) lead-based die adhesive used between the die and leadframe. The component is otherwise considered Pb-Free (RoHS compatible) as defined above.

Green (RoHS & no Sb/Br): TI defines "Green" to mean Pb-Free (RoHS compatible), and free of Bromine (Br) and Antimony (Sb) based flame retardants (Br or Sb do not exceed 0.1% by weight in homogeneous material)

⁽³⁾ MSL, Peak Temp. -- The Moisture Sensitivity Level rating according to the JEDEC industry standard classifications, and peak solder temperature.

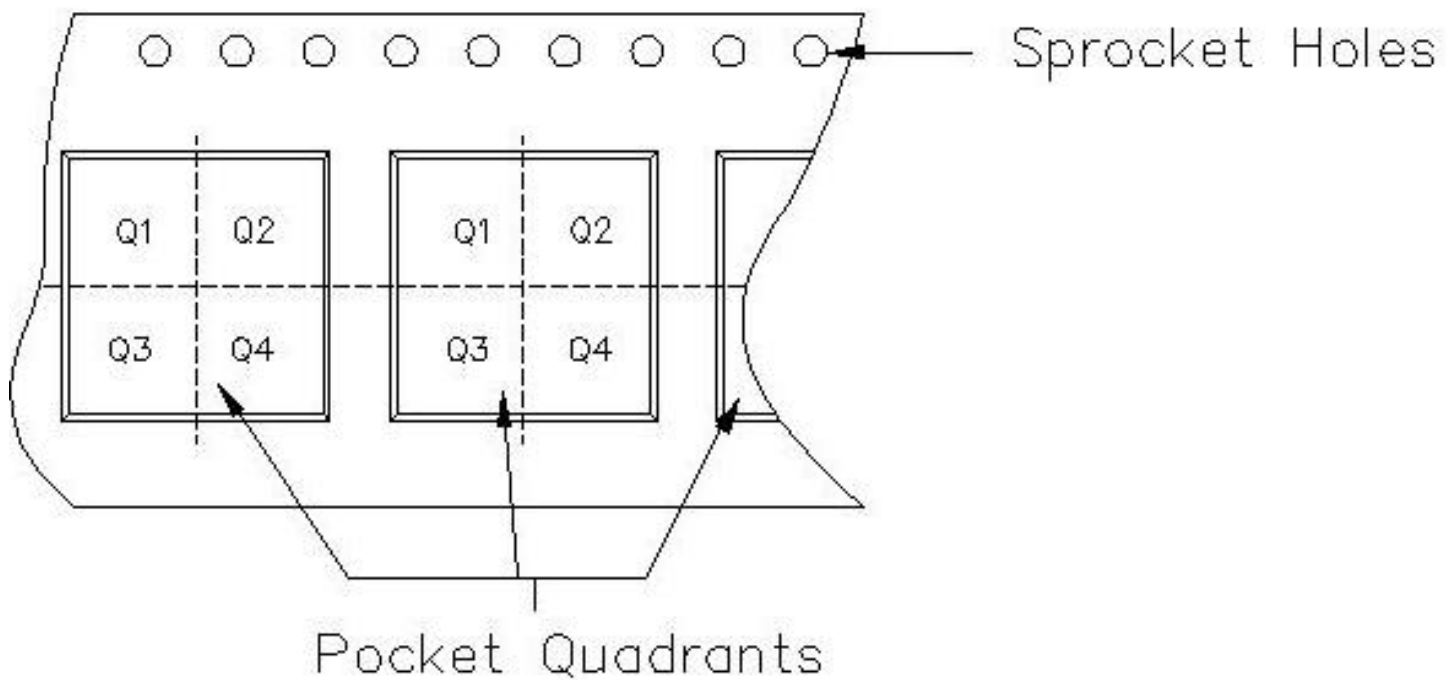
Important Information and Disclaimer:The information provided on this page represents TI's knowledge and belief as of the date that it is provided. TI bases its knowledge and belief on information provided by third parties, and makes no representation or warranty as to the accuracy of such information. Efforts are underway to better integrate information from third parties. TI has taken and continues to take reasonable steps to provide representative and accurate information but may not have conducted destructive testing or chemical analysis on incoming materials and chemicals. TI and TI suppliers consider certain information to be proprietary, and thus CAS numbers and other limited information may not be available for release.

In no event shall TI's liability arising out of such information exceed the total purchase price of the TI part(s) at issue in this document sold by TI to Customer on an annual basis.



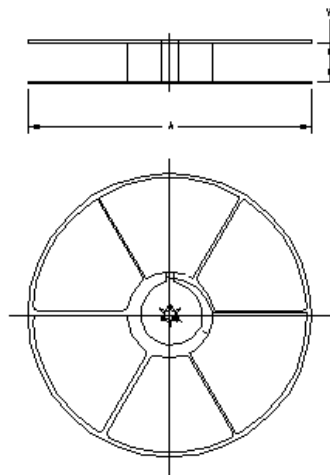
Carrier tape design is defined largely by the component length, width, and thickness.

A_o = Dimension designed to accommodate the component width.
B_o = Dimension designed to accommodate the component length.
K_o = Dimension designed to accommodate the component thickness.
W = Overall width of the carrier tape.
P = Pitch between successive cavity centers.



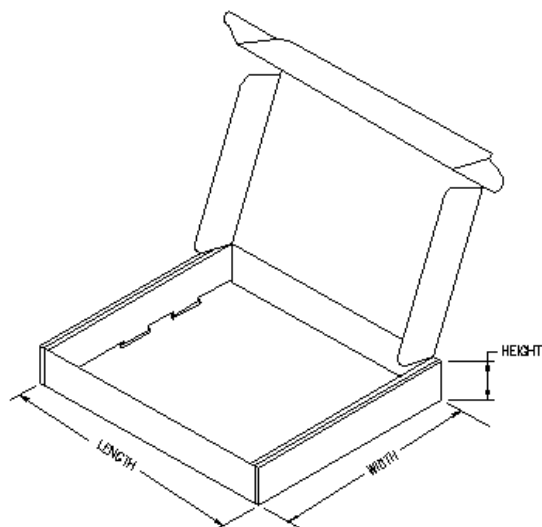
TAPE AND REEL INFORMATION

Device	Package	Pins	Site	Reel Diameter (mm)	Reel Width (mm)	A0 (mm)	B0 (mm)	K0 (mm)	P1 (mm)	W (mm)	Pin1 Quadrant
BUF16820AIDAPR	DAP	32	TAI	330	24	8.6	11.5	1.6	12	24	PKGORN T1TR-MS P



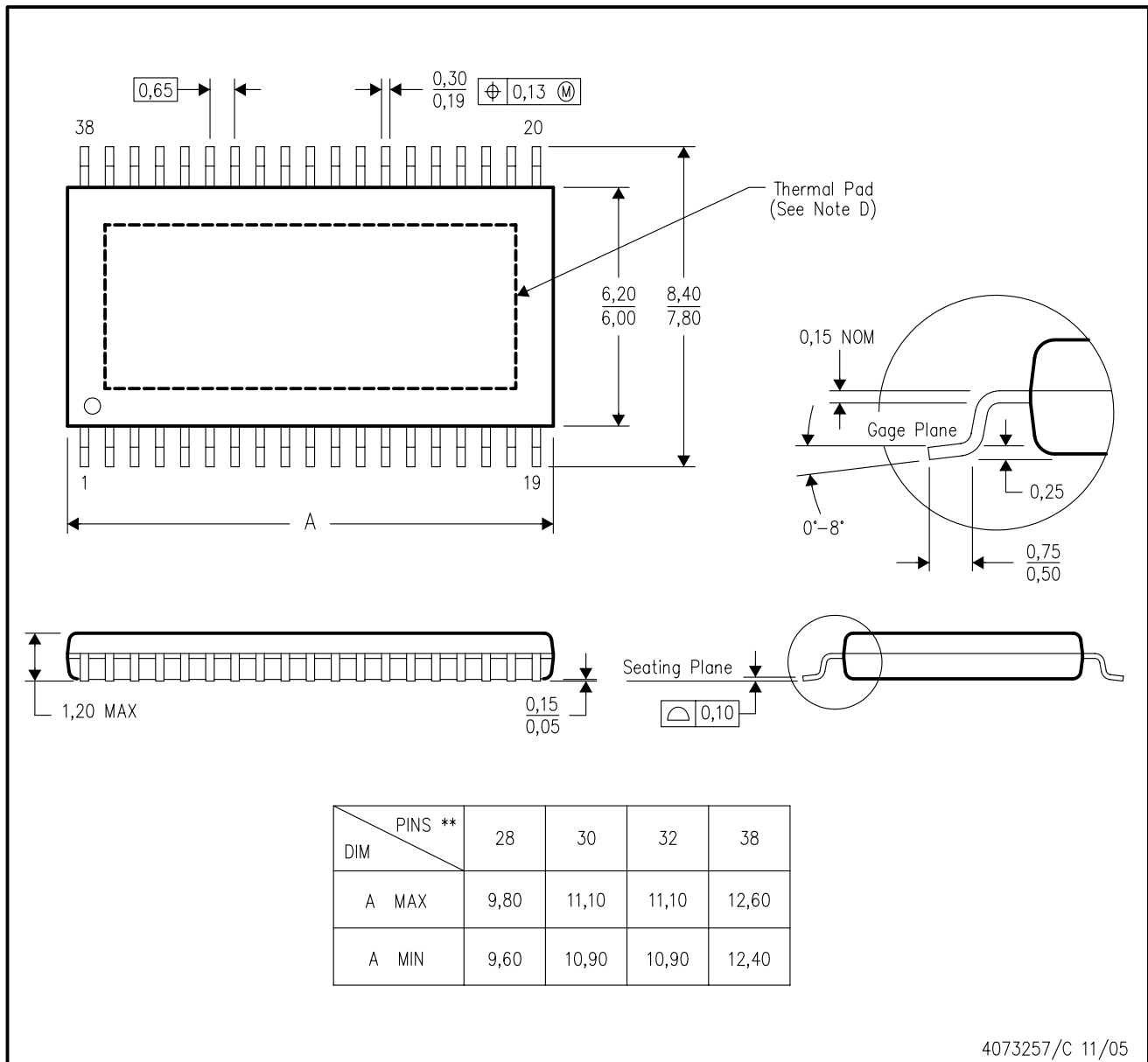
TAPE AND REEL BOX INFORMATION

Device	Package	Pins	Site	Length (mm)	Width (mm)	Height (mm)
BUF16820AIDAPR	DAP	32	TAI	336.6	342.9	41.3



DAP (R-PDSO-G**) 38 PINS SHOWN

PowerPAD™ PLASTIC SMALL-OUTLINE PACKAGE



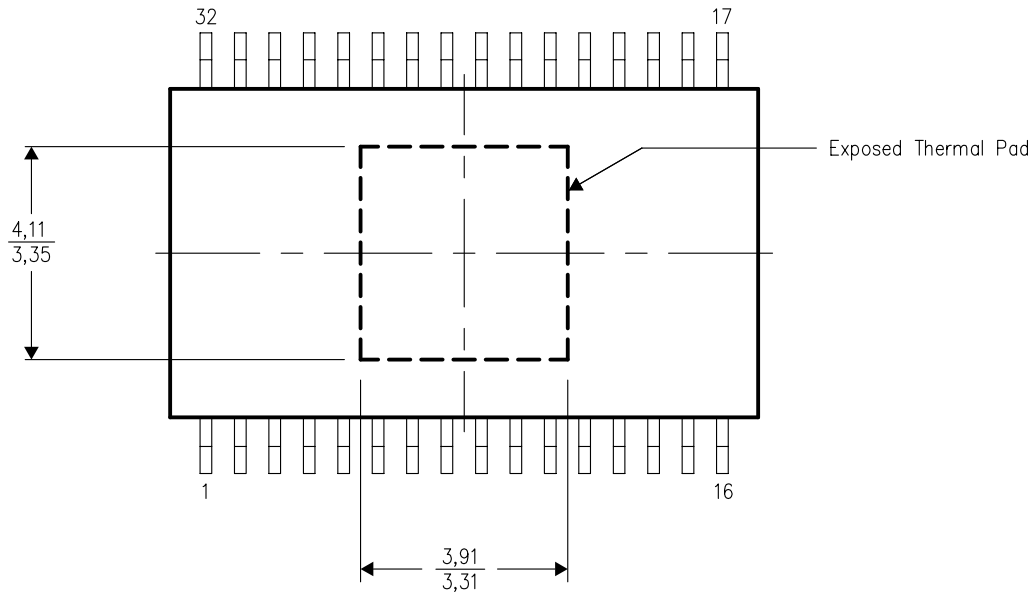
- NOTES:
- A. All linear dimensions are in millimeters.
 - B. This drawing is subject to change without notice.
 - C. Body dimensions do not include mold flash or protrusion. Mold flash and protrusion shall not exceed 0.15 per side.
 - D. This package is designed to be soldered to a thermal pad on the board. Refer to Technical Brief, PowerPad Thermally Enhanced Package, Texas Instruments Literature No. SLMA002 for information regarding recommended board layout. This document is available at www.ti.com <<http://www.ti.com>>.
 - E. Falls within JEDEC MO-153

PowerPAD is a trademark of Texas Instruments.

THERMAL INFORMATION

This PowerPAD™ package incorporates an exposed thermal pad that is designed to be attached directly to an external heatsink. When the thermal pad is soldered directly to the printed circuit board (PCB), the PCB can be used as a heatsink. In addition, through the use of thermal vias, the thermal pad can be attached directly to a ground or power plane (whichever is applicable), or alternatively, a special heatsink structure designed into the PCB. This design optimizes the heat transfer from the integrated circuit (IC). For additional information on the PowerPAD package and how to take advantage of its heat dissipating abilities, refer to Technical Brief, PowerPAD Thermally Enhanced Package, Texas Instruments Literature No. SLMA002 and Application Brief, PowerPAD Made Easy, Texas Instruments Literature No. SLMA004. Both documents are available at www.ti.com.

The exposed thermal pad dimensions for this package are shown in the following illustration.



Top View

NOTE: All linear dimensions are in millimeters

Exposed Thermal Pad Dimensions

IMPORTANT NOTICE

Texas Instruments Incorporated and its subsidiaries (TI) reserve the right to make corrections, modifications, enhancements, improvements, and other changes to its products and services at any time and to discontinue any product or service without notice. Customers should obtain the latest relevant information before placing orders and should verify that such information is current and complete. All products are sold subject to TI's terms and conditions of sale supplied at the time of order acknowledgment.

TI warrants performance of its hardware products to the specifications applicable at the time of sale in accordance with TI's standard warranty. Testing and other quality control techniques are used to the extent TI deems necessary to support this warranty. Except where mandated by government requirements, testing of all parameters of each product is not necessarily performed.

TI assumes no liability for applications assistance or customer product design. Customers are responsible for their products and applications using TI components. To minimize the risks associated with customer products and applications, customers should provide adequate design and operating safeguards.

TI does not warrant or represent that any license, either express or implied, is granted under any TI patent right, copyright, mask work right, or other TI intellectual property right relating to any combination, machine, or process in which TI products or services are used. Information published by TI regarding third-party products or services does not constitute a license from TI to use such products or services or a warranty or endorsement thereof. Use of such information may require a license from a third party under the patents or other intellectual property of the third party, or a license from TI under the patents or other intellectual property of TI.

Reproduction of information in TI data books or data sheets is permissible only if reproduction is without alteration and is accompanied by all associated warranties, conditions, limitations, and notices. Reproduction of this information with alteration is an unfair and deceptive business practice. TI is not responsible or liable for such altered documentation.

Resale of TI products or services with statements different from or beyond the parameters stated by TI for that product or service voids all express and any implied warranties for the associated TI product or service and is an unfair and deceptive business practice. TI is not responsible or liable for any such statements.

TI products are not authorized for use in safety-critical applications (such as life support) where a failure of the TI product would reasonably be expected to cause severe personal injury or death, unless officers of the parties have executed an agreement specifically governing such use. Buyers represent that they have all necessary expertise in the safety and regulatory ramifications of their applications, and acknowledge and agree that they are solely responsible for all legal, regulatory and safety-related requirements concerning their products and any use of TI products in such safety-critical applications, notwithstanding any applications-related information or support that may be provided by TI. Further, Buyers must fully indemnify TI and its representatives against any damages arising out of the use of TI products in such safety-critical applications.

TI products are neither designed nor intended for use in military/aerospace applications or environments unless the TI products are specifically designated by TI as military-grade or "enhanced plastic." Only products designated by TI as military-grade meet military specifications. Buyers acknowledge and agree that any such use of TI products which TI has not designated as military-grade is solely at the Buyer's risk, and that they are solely responsible for compliance with all legal and regulatory requirements in connection with such use.

TI products are neither designed nor intended for use in automotive applications or environments unless the specific TI products are designated by TI as compliant with ISO/TS 16949 requirements. Buyers acknowledge and agree that, if they use any non-designated products in automotive applications, TI will not be responsible for any failure to meet such requirements.

Following are URLs where you can obtain information on other Texas Instruments products and application solutions:

Products		Applications	
Amplifiers	amplifier.ti.com	Audio	www.ti.com/audio
Data Converters	dataconverter.ti.com	Automotive	www.ti.com/automotive
DSP	dsp.ti.com	Broadband	www.ti.com/broadband
Interface	interface.ti.com	Digital Control	www.ti.com/digitalcontrol
Logic	logic.ti.com	Military	www.ti.com/military
Power Mgmt	power.ti.com	Optical Networking	www.ti.com/opticalnetwork
Microcontrollers	microcontroller.ti.com	Security	www.ti.com/security
RFID	www.ti-rfid.com	Telephony	www.ti.com/telephony
Low Power Wireless	www.ti.com/lpw	Video & Imaging	www.ti.com/video
		Wireless	www.ti.com/wireless

Mailing Address: Texas Instruments, Post Office Box 655303, Dallas, Texas 75265
Copyright © 2007, Texas Instruments Incorporated