

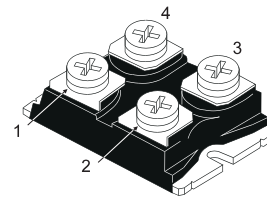


## NPN TRANSISTOR POWER MODULE

- EASY TO DRIVE TECHNOLOGY (ETD)
- HIGH CURRENT POWER BIPOLAR MODULE
- VERY LOW  $R_{th}$  JUNCTION CASE
- SPECIFIED ACCIDENTAL OVERLOAD AREAS
- FULLY INSULATED PACKAGE (U.L. COMPLIANT) FOR EASY MOUNTING
- LOW INTERNAL PARASITIC INDUCTANCE

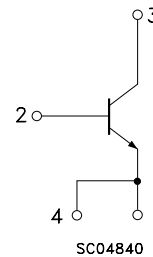
### APPLICATIONS:

- MOTOR CONTROL
- SMPS & UPS
- WELDING EQUIPMENT



ISOTOP

### INTERNAL SCHEMATIC DIAGRAM



### ABSOLUTE MAXIMUM RATINGS

Symbol	Parameter	Value	Unit
$V_{CEV}$	Collector-Emitter Voltage ( $V_{BE} = -5$ V)	1000	V
$V_{CEO(sus)}$	Collector-Emitter Voltage ( $I_B = 0$ )	450	V
$V_{EBO}$	Emitter-Base Voltage ( $I_C = 0$ )	7	V
$I_C$	Collector Current	80	A
$I_{CM}$	Collector Peak Current ( $t_p = 10$ ms)	160	A
$I_B$	Base Current	18	A
$I_{BM}$	Base Peak Current ( $t_p = 10$ ms)	27	A
$P_{tot}$	Total Dissipation at $T_c = 25$ °C	270	W
$V_{isol}$	Insulation Withstand Voltage (RMS) from All Four Terminals to External Heatsink	2500	
$T_{stg}$	Storage Temperature	-65 to 150	°C
$T_j$	Max Operation Junction Temperature	150	°C

## BUF460AV

### THERMAL DATA

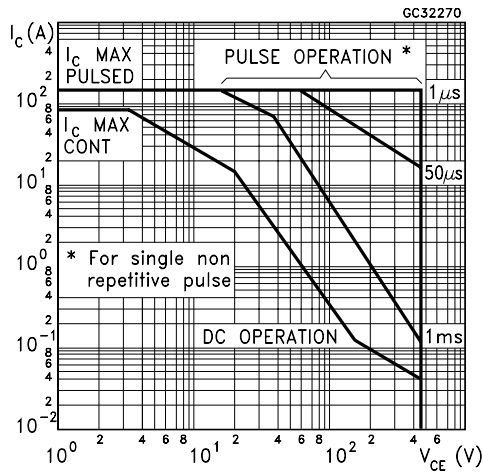
$R_{thj-case}$	Thermal Resistance Junction-case	Max	0.41	°C/W
$R_{thc-h}$	Thermal Resistance Case- heatsink With Conductive Grease Applied	Max	0.05	°C/W

### ELECTRICAL CHARACTERISTICS ( $T_{case} = 25\text{ °C}$ unless otherwise specified)

Symbol	Parameter	Test Conditions	Min.	Typ.	Max.	Unit
$I_{CER}$	Collector Cut-off Current ( $R_{BE} = 5\ \Omega$ )	$V_{CE} = V_{CEV}$ $V_{CE} = V_{CEV}$ $T_j = 100\text{ °C}$			0.2 2	mA mA
$I_{CEV}$	Collector Cut-off Current ( $V_{BE} = -1.5V$ )	$V_{CE} = V_{CEV}$ $V_{CE} = V_{CEV}$ $T_j = 100\text{ °C}$			0.2 2	mA mA
$I_{EBO}$	Emitter Cut-off Current ( $I_C = 0$ )	$V_{EB} = 5\ V$			1	mA
$V_{CEO(sus)}^*$	Collector-Emitter Sustaining Voltage ( $I_B = 0$ )	$I_C = 0.2\ A$ $L = 25\ mH$ $V_{clamp} = 450\ V$	450			V
$h_{FE}^*$	DC Current Gain	$I_C = 60\ A$ $V_{CE} = 5\ V$		15		
$V_{CE(sat)}^*$	Collector-Emitter Saturation Voltage	$I_C = 30\ A$ $I_B = 3\ A$ $I_C = 30\ A$ $I_B = 3\ A$ $T_j = 100\text{ °C}$ $I_C = 60\ A$ $I_B = 12\ A$ $I_C = 60\ A$ $I_B = 12\ A$ $T_j = 100\text{ °C}$		0.35 0.5	2 2	V V V V
$V_{BE(sat)}^*$	Base-Emitter Saturation Voltage	$I_C = 60\ A$ $I_B = 12\ A$ $I_C = 60\ A$ $I_B = 12\ A$ $T_j = 100\text{ °C}$		1.1	1.5	V V
$di_c/dt$	Rate of Rise of On-state Collector	$V_{CC} = 300\ V$ $R_C = 0$ $t_p = 3\ \mu s$ $I_{B1} = 18\ A$ $T_j = 100\text{ °C}$	150			A/ $\mu s$
$V_{CE(3\ \mu s)}^*$	Collector-Emitter Dynamic Voltage	$V_{CC} = 300\ V$ $R_C = 30\ \Omega$ $I_{B1} = 18\ A$ $T_j = 100\text{ °C}$		4	6	V
$V_{CE(5\ \mu s)}^*$	Collector-Emitter Dynamic Voltage	$V_{CC} = 300\ V$ $R_C = 30\ \Omega$ $I_{B1} = 18\ A$ $T_j = 100\text{ °C}$		2	3	V
$t_s$	Storage Time	$I_C = 30\ A$ $V_{CC} = 50\ V$		4.5	5	$\mu s$
$t_f$	Fall Time	$V_{BB} = -5\ V$ $R_{BB} = 0.2\ \Omega$		0.1	0.2	$\mu s$
$t_c$	Cross-over Time	$V_{clamp} = 400\ V$ $I_{B1} = 3\ A$ $L = 25\ \mu H$ $T_j = 100\text{ °C}$		0.3	5	$\mu s$
$V_{CEW}$	Maximum Collector Emitter Voltage Without Snubber	$I_{C\ woff} = 80\ A$ $I_{B1} = 16\ A$ $V_{BB} = -5\ V$ $V_{CC} = 50\ V$ $L = 80\ \mu H$ $R_{BB} = 0.2\ \Omega$ $T_j = 125\text{ °C}$	400			V

\* Pulsed: Pulse duration = 300  $\mu s$ , duty cycle 1.5 %

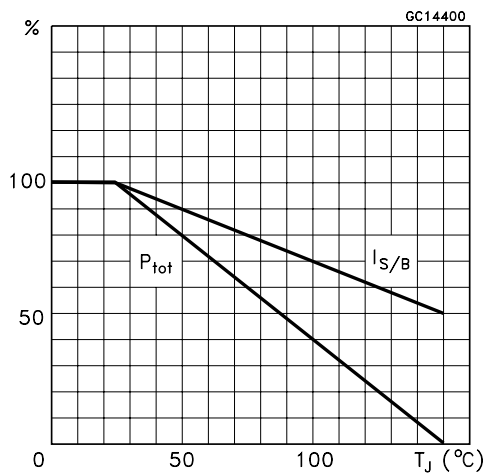
Safe Operating Area



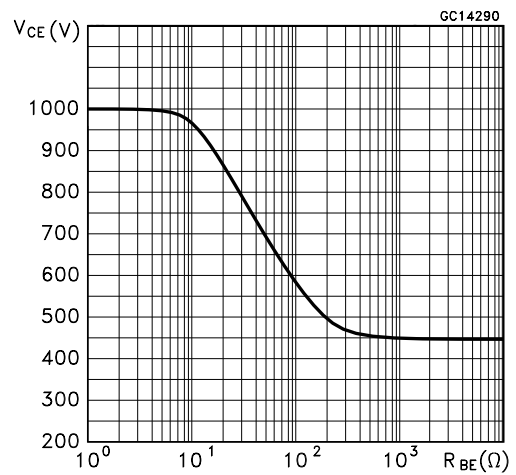
Thermal Impedance



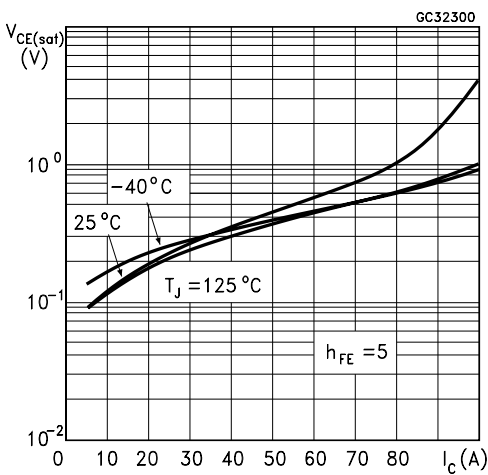
Derating Curve



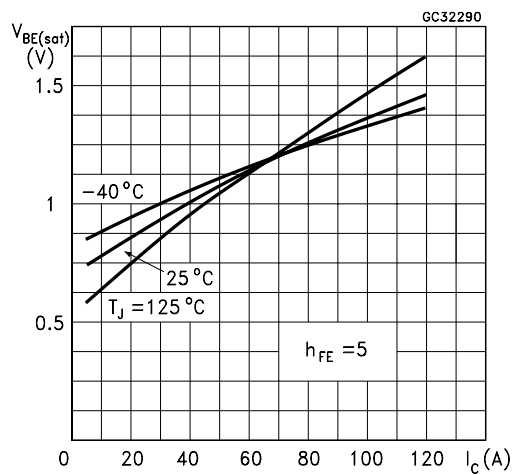
Collector-Emitter Voltage Versus Base-Emitter Resistance



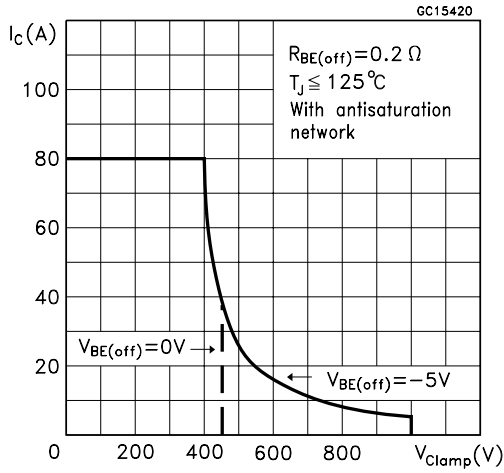
Collector-Emitter Saturation Voltage



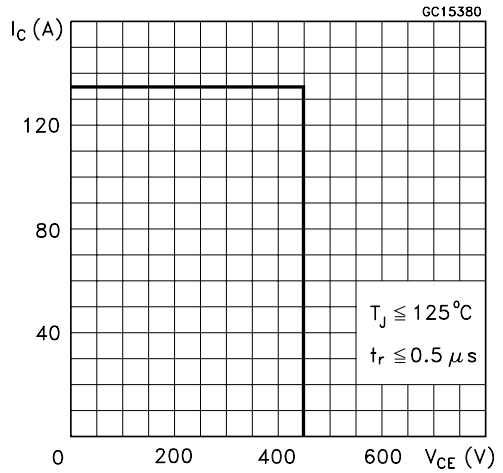
Base-Emitter Saturation Voltage



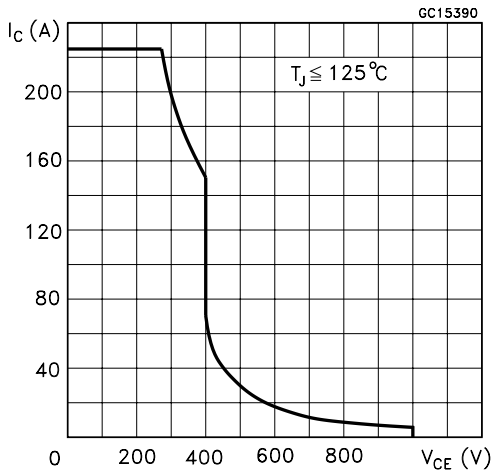
Reverse Biased SOA



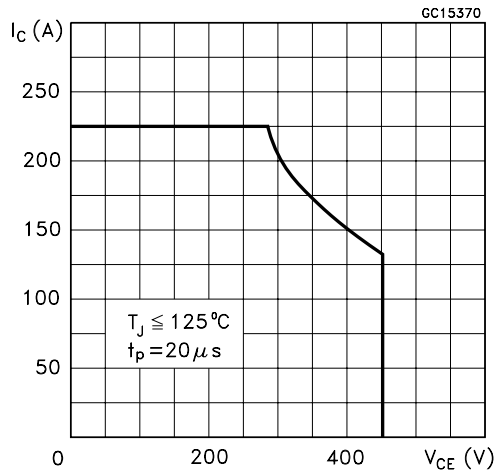
Forward Biased SOA



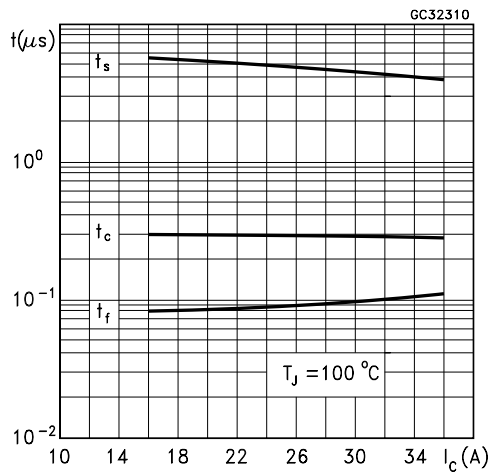
Reverse Biased SOA



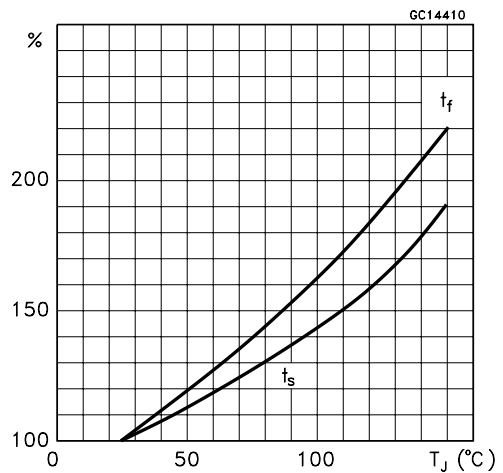
Forward Biased SOA



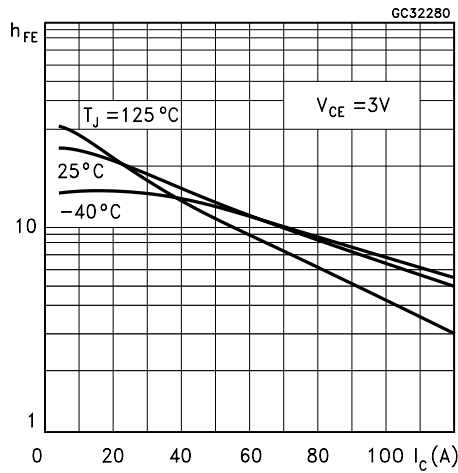
Switching Time Inductive Load



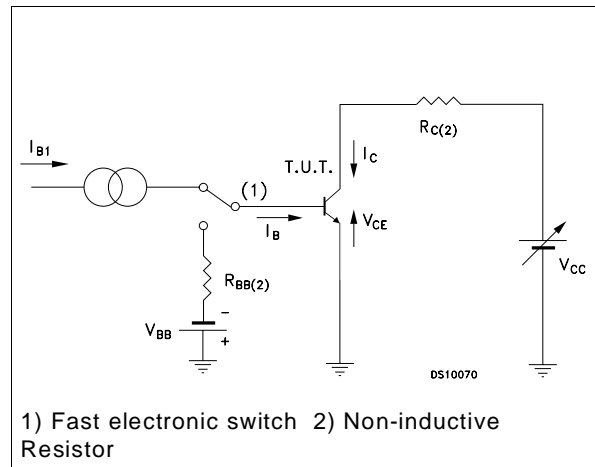
Switching Time Inductive Load Versus Temperature



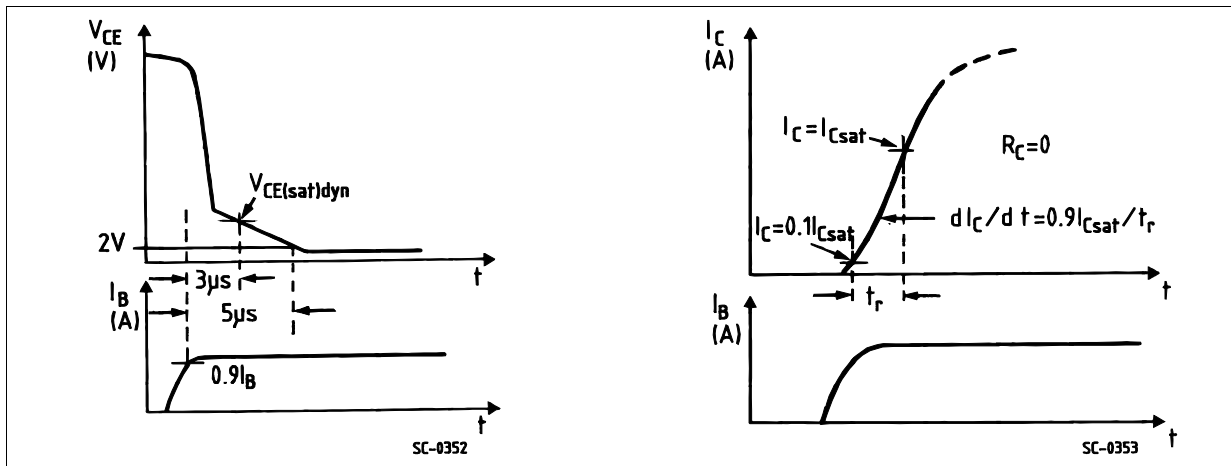
DC Current Gain



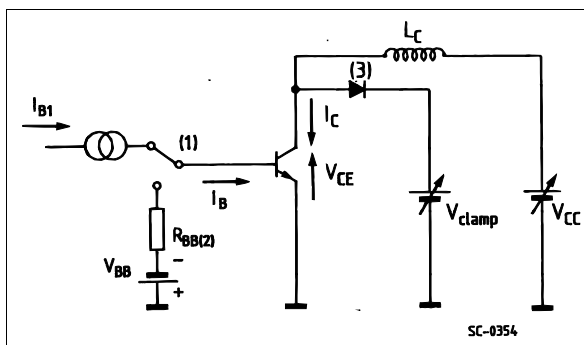
Turn-off Switching Test Circuit



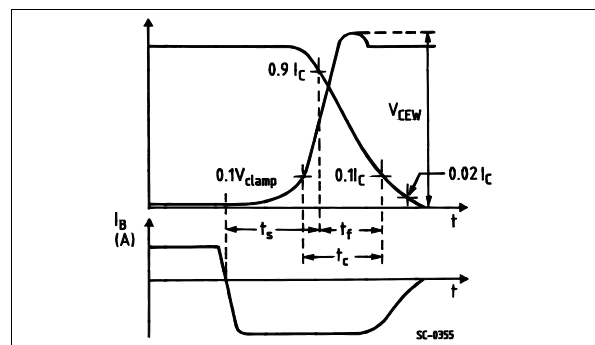
Turn-on Switching Waveforms.



Turn-off Switching Test Circuit



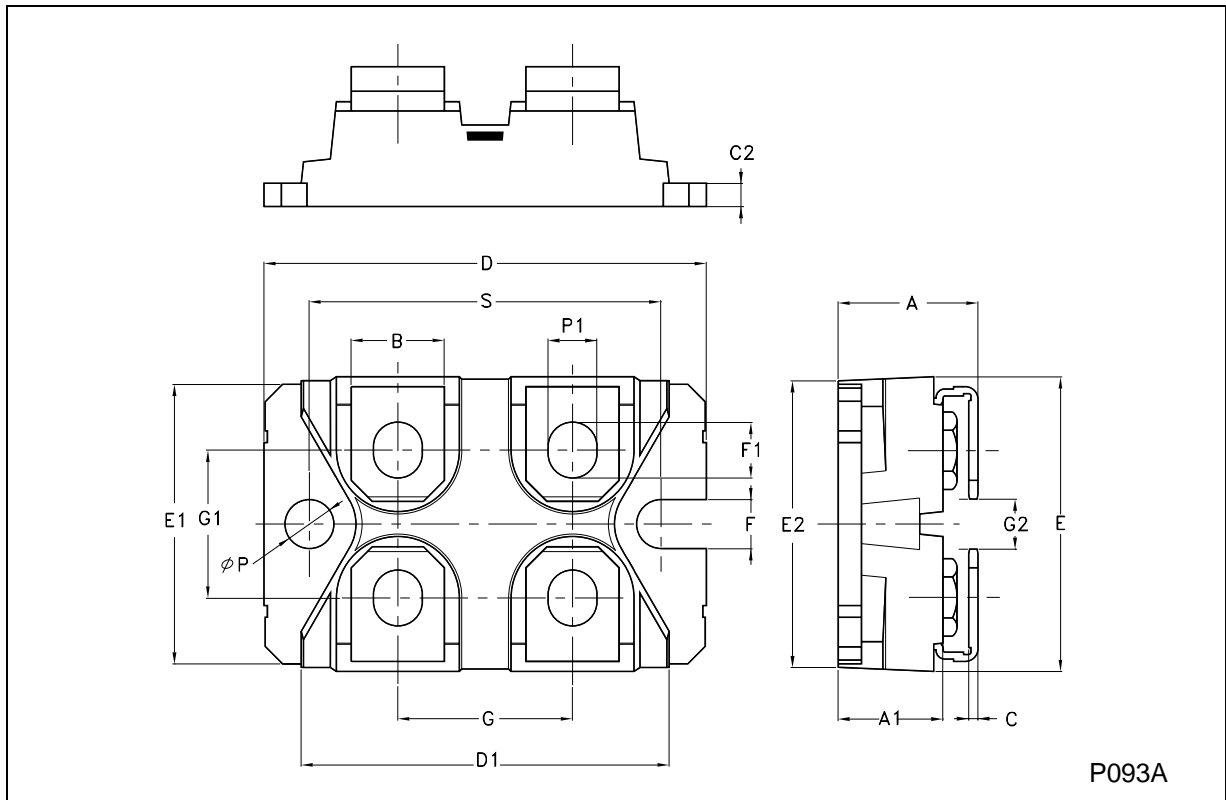
Turn-off Switching Waveforms.



- 1) Fast electronic switch
- 2) Non-inductive Resistor
- 3) Fast recovery rectifier

**ISOTOP MECHANICAL DATA**

DIM.	mm			inch		
	MIN.	TYP.	MAX.	MIN.	TYP.	MAX.
A	11.8		12.2	0.465		0.480
A1	8.9		9.1	0.350		0.358
B	7.8		8.2	0.307		0.322
C	0.75		0.85	0.029		0.033
C2	1.95		2.05	0.076		0.080
D	37.8		38.2	1.488		1.503
D1	31.5		31.7	1.240		1.248
E	25.15		25.5	0.990		1.003
E1	23.85		24.15	0.938		0.950
E2		24.8			0.976	
G	14.9		15.1	0.586		0.594
G1	12.6		12.8	0.496		0.503
G2	3.5		4.3	0.137		1.169
F	4.1		4.3	0.161		0.169
F1	4.6		5	0.181		0.196
P	4		4.3	0.157		0.169
P1	4		4.4	0.157		0.173
S	30.1		30.3	1.185		1.193



P093A

Information furnished is believed to be accurate and reliable. However, STMicroelectronics assumes no responsibility for the consequences of use of such information nor for any infringement of patents or other rights of third parties which may result from its use. No license is granted by implication or otherwise under any patent or patent rights of STMicroelectronics. Specification mentioned in this publication are subject to change without notice. This publication supersedes and replaces all information previously supplied. STMicroelectronics products are not authorized for use as critical components in life support devices or systems without express written approval of STMicroelectronics.

The ST logo is a trademark of STMicroelectronics

© 2003 STMicroelectronics – Printed in Italy – All Rights Reserved

STMicroelectronics GROUP OF COMPANIES

Australia - Brazil - Canada - China - Finland - France - Germany - Hong Kong - India - Israel - Italy - Japan - Malaysia - Malta - Morocco - Singapore - Spain - Sweden - Switzerland - United Kingdom - United States.

<http://www.st.com>

