



BUL1403ED

HIGH VOLTAGE FAST-SWITCHING NPN POWER TRANSISTOR

- INTEGRATED ANTISATURATION AND PROTECTION NETWORK
- INTEGRATED ANTIPARALLEL COLLECTOR EMITTER DIODE
- HIGH VOLTAGE CAPABILITY
- LOW SPREAD OF DYNAMIC PARAMETERS
- MINIMUM LOT-TO-LOT SPREAD FOR RELIABLE OPERATION
- VERY HIGH SWITCHING SPEED
- ARCING TEST SELF PROTECTED

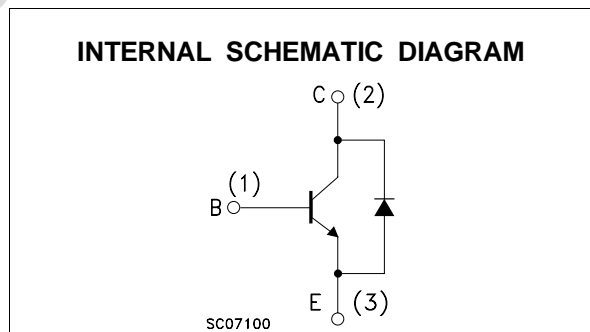
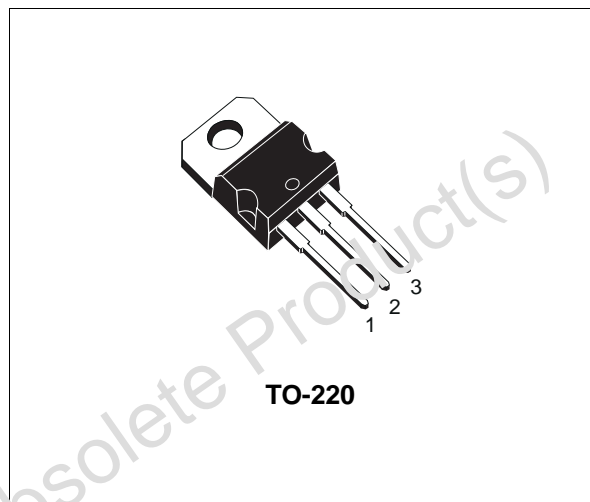
APPLICATIONS

- 2/4 LAMPS ELECTRONIC BALLAST FOR FLUORESCENT LIGHTING 277 V_{AC} PUSH-PULL CONFIGURATION

DESCRIPTION

The BUL1403ED is a new device, designed for fluorescent electronic ballast 277 V_{AC} push-pull applications (up to 4 lamps).

This device, it can be used without Baker clamp and transil protection, reducing greatly the component count.



ABSOLUTE MAXIMUM RATINGS

Symbol	Parameter	Value	Unit
V _{CES}	Collector-Emitter Voltage (V _{BE} = 0)	1400	V
V _{CEO}	Collector-Emitter Voltage (I _B = 0)	650	V
V _{EBO}	Emitter-Base Voltage (I _C = 0)	11	V
I _C	Collector Current	3	A
I _{CM}	Collector Peak Current (t _p < 5 ms)	6	A
I _B	Base Current	2	A
I _{BM}	Base Peak Current (t _p < 5 ms)	4	A
P _{tot}	Total Dissipation at T _c = 25 °C	80	W
T _{stg}	Storage Temperature	-65 to 150	°C
T _j	Max. Operating Junction Temperature	150	°C

BUL1403ED

THERMAL DATA

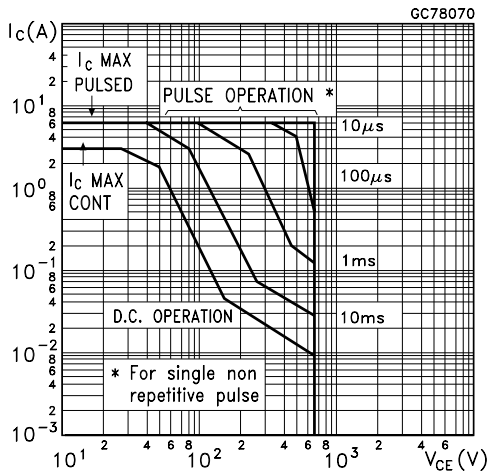
R _{thj-case}	Thermal Resistance Junction-Case	Max	1.56	°C/W
R _{thj-amb}	Thermal Resistance Junction-Ambient	Max	62.5	°C/W

ELECTRICAL CHARACTERISTICS (T_{case} = 25 °C unless otherwise specified)

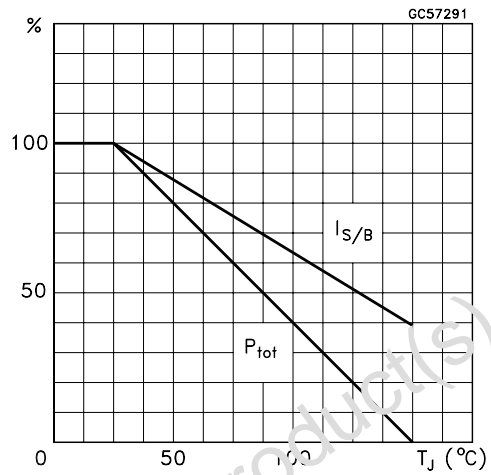
Symbol	Parameter	Test Conditions	Min.	Typ.	Max.	Unit
I _{CES}	Collector Cut-off Current (V _{BE} = 0)	V _{CE} = 1400 V			1	mA
I _{EBO}	Base-Emitter Leakage Current	V _{EB} = 9 V			100	μA
V _{CEO(sus)*}	Collector-Emitter Sustaining Voltage (I _B = 0)	I _C = 10 mA L = 25 mH	650			V
V _{(BR)EBO}	Emitter-Base Breakdown Voltage (I _C = 0)	I _E = 10 mA	11		18	V
V _{CE(sat)*}	Collector-Emitter Saturation Voltage	I _C = 0.5 A I _B = 0.05 A I _C = 0.25 A I _B = 0.025 A			2.5 1.5	V V
V _{BE(sat)*}	Base-Emitter Saturation Voltage	I _C = 0.5 A I _B = 0.1 A I _C = 1 A I _B = 0.1 A I _C = 2 A I _B = 0.1 A			1.0 1.1 1.2	V V V
h _{FE*}	DC Current Gain	I _C = 5 mA V _{CE} = 10 V I _C = 0.4 A V _{CE} = 3 V I _C = 0.8 A V _{CE} = 5 V	18 15 4		40	
t _d t _r t _s t _f	RESISTIVE LOAD Delay Time Rise Time Storage Time Fall Time	I _C = 0.5 A V _{CC} = 125 V I _{B1} = 0.05 A I _{B2} = -0.25 A D.C. = 2% P.W. = 300 μs (see figure 1)			0.3 0.8 1.2 0.35	μs μs μs μs
E _{ar}	Repetitive Avalanche Energy	L = 2 mH C = 1.8 nF V _{CC} = 50 V V _{BE} = -5 V (see figure 2)	6			mJ

* Pulsed: Pulse duration = 300 μs, duty cycle 1.5 %

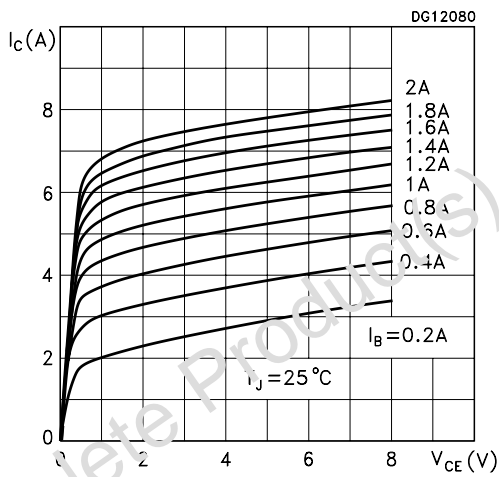
Safe Operating Areas



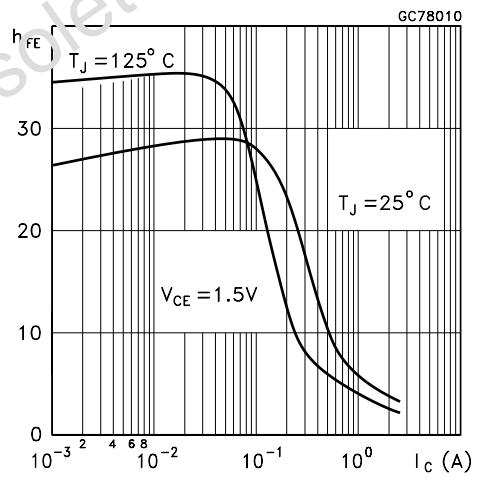
Derating Curve



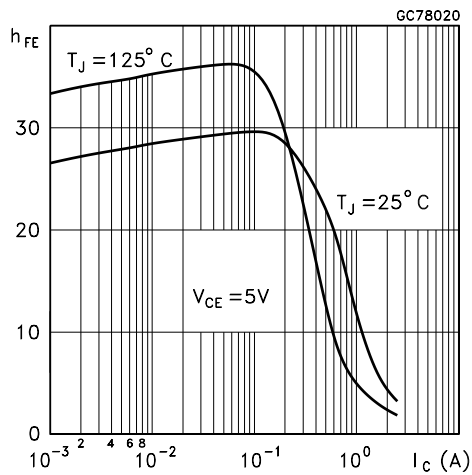
Output Characteristics



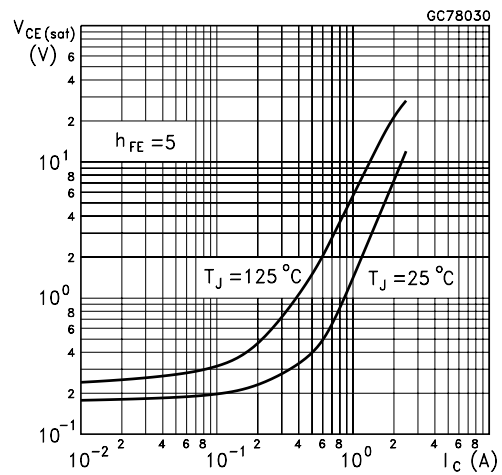
DC Current Gain



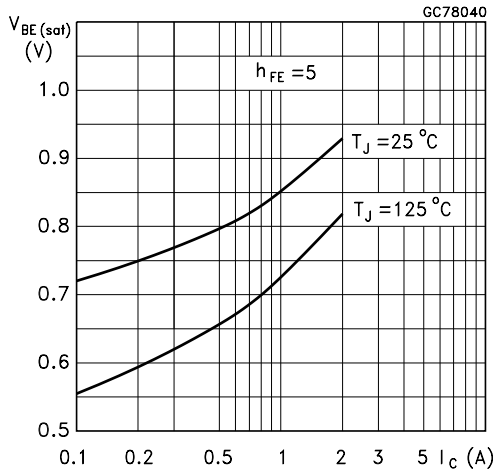
DC Current Gain



Collector Emitter Saturation Voltage



Base Emitter Saturation Voltage



Reverse Biased SOA

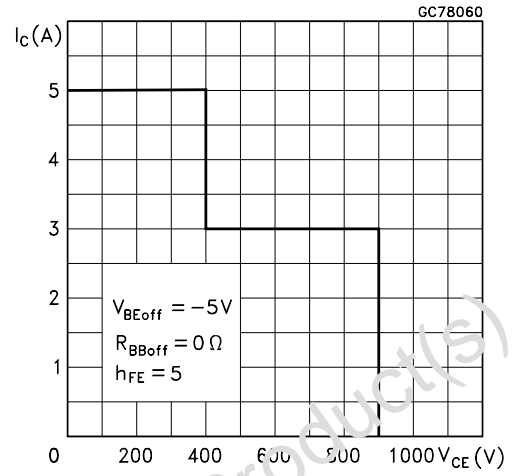


Figure 1: Resistive Load Switching Test Circuit

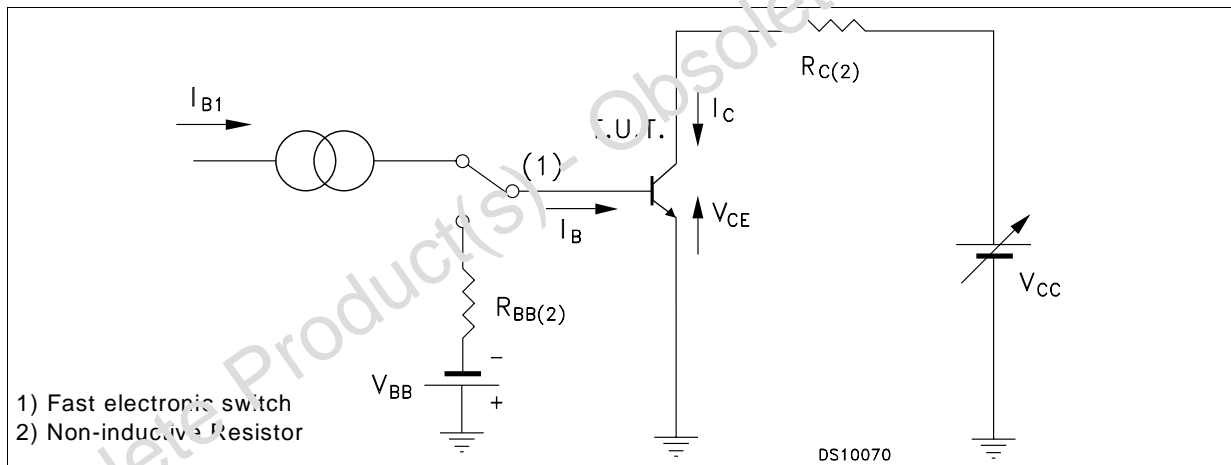
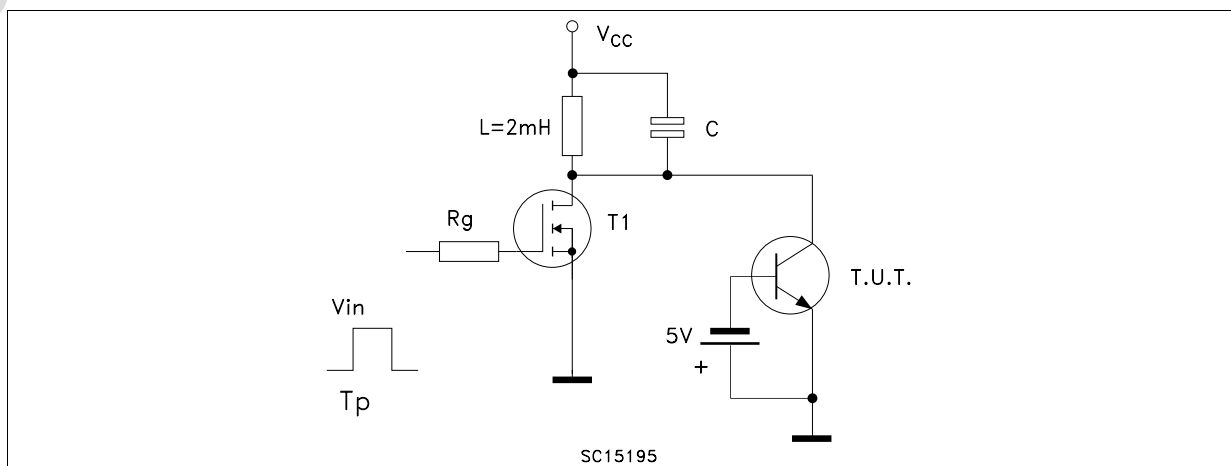
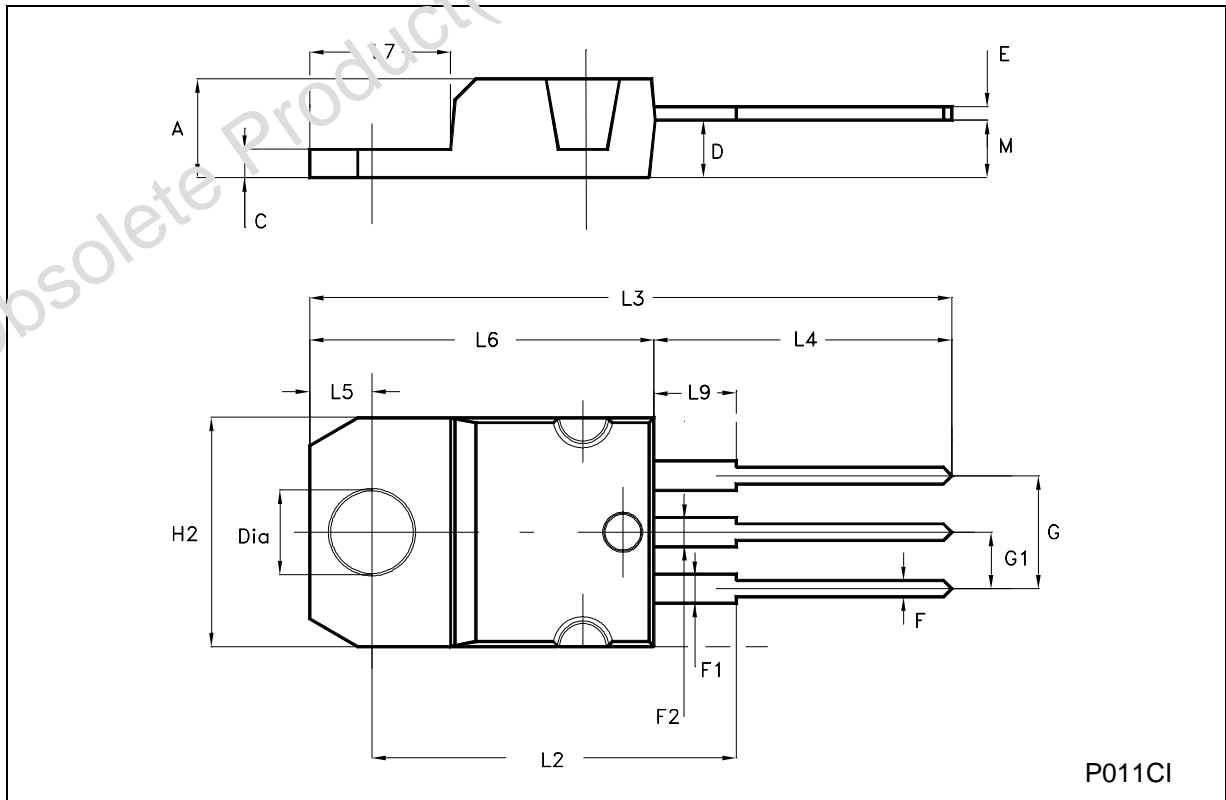


Figure 2: Energy Rating Test Circuit



TO-220 MECHANICAL DATA

DIM.	mm			inch		
	MIN.	TYP.	MAX.	MIN.	TYP.	MAX.
A	4.40		4.60	0.173		0.181
C	1.23		1.32	0.048		0.052
D	2.40		2.72	0.094		0.107
E	0.49		0.70	0.019		0.027
F	0.61		0.88	0.024		0.034
F1	1.14		1.70	0.044		0.067
F2	1.14		1.70	0.044		0.067
G	4.95		5.15	0.194		0.202
G1	2.40		2.70	0.094		0.106
H2	10.00		10.40	0.394		0.409
L2		16.40			0.645	
L4	13.00		14.00	0.511		0.551
L5	2.65		2.95	0.104		0.116
L6	15.25		15.75	0.600		0.620
L7	6.20		6.60	0.244		0.260
L9	3.50		3.93	0.137		0.154
M		2.60			0.102	
DIA.	3.75		3.65	0.147		0.151



Obsolete Product(s) - Obsolete Product(s)

Information furnished is believed to be accurate and reliable. However, STMicroelectronics assumes no responsibility for the consequences of use of such information nor for any infringement of patents or other rights of third parties which may result from its use. No license is granted by implication or otherwise under any patent or patent rights of STMicroelectronics. Specification mentioned in this publication are subject to change without notice. This publication supersedes and replaces all information previously supplied. STMicroelectronics products are not authorized for use as critical components in life support devices or systems without express written approval of STMicroelectronics.

The ST logo is a trademark of STMicroelectronics

© 2002 STMicroelectronics – Printed in Italy – All Rights Reserved

STMicroelectronics GROUP OF COMPANIES

Australia - Brazil - Canada - China - Finland - France - Germany - Hong Kong - India - Israel - Italy - Japan - Malaysia - Malta - Morocco - Singapore - Spain - Sweden - Switzerland - United Kingdom - United States.

<http://www.st.com>