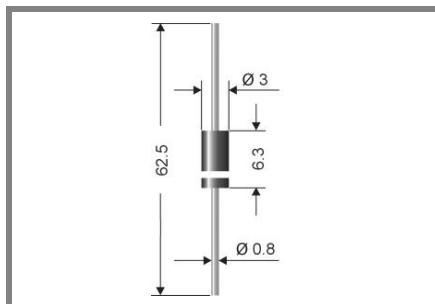


BV 4, BV 6



Axial lead diode

High voltage silicon rectifier diodes

BV 4, BV 6

Forward Current: 0,1 A

Reverse Voltage: 4000 to 6000 V

Features

- Max solder temperature: 260°C
- Plastic material has UL classification 94V-0

Mechanical Data

- Plastic case DO-15 / DO-204AC
- Weight approx.: 0.4g
- Terminals: plated terminals solderable per MIL-STD-750
- Mounting position: any
- Standard packaging: 4000 pieces per ammo

1) Valid, if leads are kept at ambient temperature at a distance of 10 mm from case

2) $I_F = 100\text{mA}$, $T_j = 25^\circ\text{C}$

3) $T_A = 25^\circ\text{C}$

Type	Repetitive peak reverse voltage	Surge peak reverse voltage	Max. reverse recovery time	Max. forward voltage
	V_{RRM} V	V_{RSM} V	$I_F = -A$ $I_R = -A$ $I_{RR} = -A$ t_{rr} ns	$V_F^{(2)}$
BV 4	4000	4000	-	5
BV 6	6000	6000	-	5

Absolute Maximum Ratings		$T_c = 25^\circ\text{C}$, unless otherwise specified	
Symbol	Conditions	Values	Units
I_{FAV}	Max. averaged fwd. current, R-load, $T_A = 50^\circ\text{C}$ ¹⁾	0,1	A
I_{FRM}	Repetitive peak forward current $f > \text{Hz}$ ¹⁾		A
I_{FSM}	Peak forward surge current 50 Hz half sinus-wave ³⁾	15	A
i^2t	Rating for fusing, $t < \text{ms}$ ³⁾		A^2s
R_{thA}	Max. thermal resistance junction to ambient ¹⁾	60	K/W
R_{thT}	Max. thermal resistance junction to terminals ¹⁾		K/W
T_j	Operating junction temperature	-50...+150	$^\circ\text{C}$
T_s	Storage temperature	-50...+150	$^\circ\text{C}$

Characteristics		$T_c = 25^\circ\text{C}$, unless otherwise specified	
Symbol	Conditions	Values	Units
I_R	Maximum leakage current, $T_j = 25^\circ\text{C}$; $V_R = V_{RRM}$	<3	μA
	$T_j = ^\circ\text{C}$; $V_R = V_{RRM}$		
C_j	Typical junction capacitance (at MHz and applied reverse voltage of V)	-	pF
Q_{rr}	Reverse recovery charge ($U_R = V$; $I_F = A$; $dI_F/dt = \text{A/ms}$)	-	μC
E_{RSM}	Non repetitive peak reverse avalanche energy ($I_R = \text{mA}$; $T_j = ^\circ\text{C}$; inductive load switched off)	-	mJ

