

RF AMPLIFIER

Available as: BXMP1055, SMA Replaceable Female Connector

MODEL BXMP1055

Features

- High Output Power: +30 dBm Typical
- High Gain: 24 dB Typical
- Environmental Screening Available

Typical Intermodulation Performance at 25 °C

- Second Order Harmonic Intercept Point +55 dBm (T)
- Second Order Two Tone Intercept Point +50 dBm (T)
- Third Order Two Tone Intercept Point +40 dBm (T)

Specifications

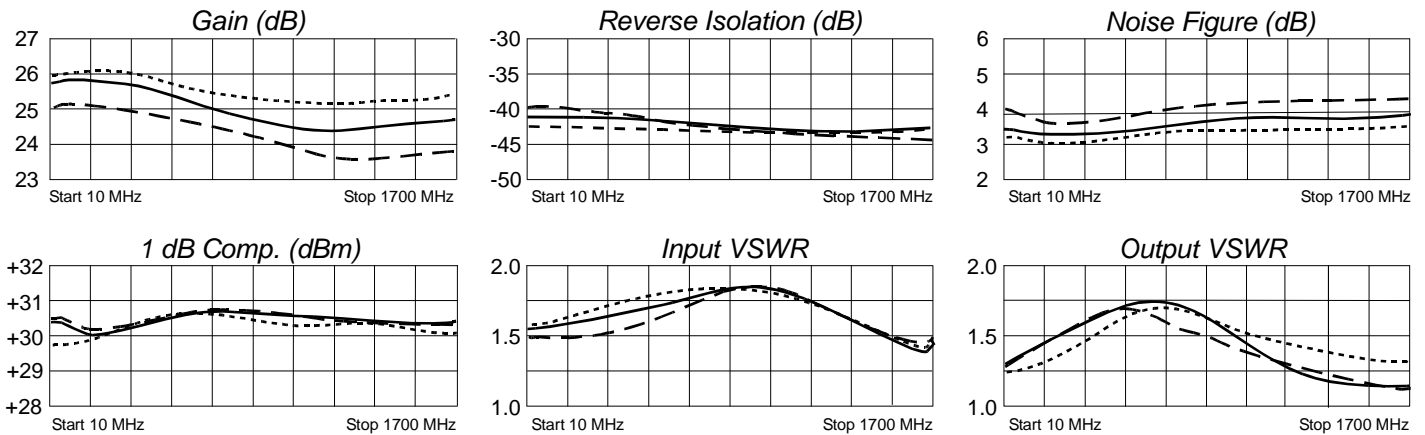
CHARACTERISTIC	TYPICAL Ta= 25 °C	MIN/MAX Ta = -40 °C to +85 °C
Frequency (MHz)	10 - 1700 MHz	10 - 1700 MHz
Gain (dB)	24	23 Min.
Power @ 1 dB Comp. (dBm)	+30	+29 Min.
Reverse Isolation (dB)	-35	—
VSWR In	1.8:1	2.0:1 Max.
VSWR Out	1.8:1	2.0:1 Max.
Noise Figure (dB)	4.0	6.0 Max.
Power Vdc	+15	+15
mA	380	400 Max.

Absolute Maximum (No Damage) Ratings

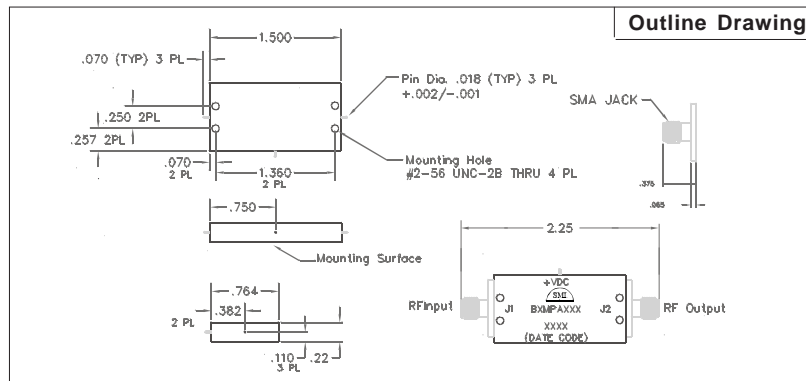
- Ambient Operating Temperature -55°C to +100 °C
 - Storage Temperature -62°C to +125 °C
 - Case Temperature +125 °C
 - DC Voltage +18 Volts
 - Continuous RF Input Power (CW) +15 dBm
- Revision 9/24/2012

Note: Care should always be taken to effectively ground the case of each unit.

Typical Performance Data



Legend ——— +25 °C - - - - +85 °C ······ -40 °C



Spectrum Microwave · 2144 Franklin Drive N.E. · Palm Bay, Florida 32905 · PH (888) 553-7531 · Fax (888) 553-7532

www.SpectrumMicrowave.com Spectrum Microwave · 2707 Black Lake Place · Philadelphia, Pennsylvania 19154 · PH (215) 464-4000 · Fax (215) 464-4001