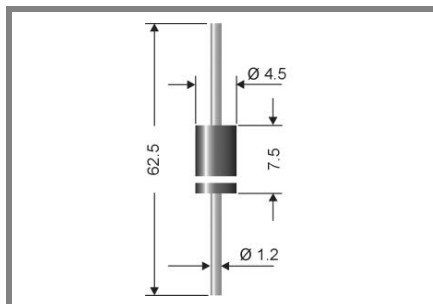


BY 226G, BY 227G, BY 228G



Axial lead diode

Type	Repetitive peak reverse voltage	Surge peak reverse voltage	Max. reverse recovery time	Max. forward voltage
	V_{RRM} V	V_{RSM} V	$I_F = -A$ $I_R = -A$ $I_{RR} = -A$ t_{rr} ns	$V_F^{(2)}$
BY 226G	450	650	-	1,3
BY 227G	800	1250	-	1,3
BY 228G	1500	1800	-	1,3

Standard silicon rectifier diodes

BY 226G, BY 227G, BY 228G

Forward Current: 3 A

Reverse Voltage: 450 to 1500 V

Features

- Max. solder temperature: 260°C
- Plastic material has UL classification 94V-0

Mechanical Data

- Plastic case DO-201
- Weight approx.: 1 g
- Terminals: plated terminals solderable per MIL-STD-750
- Mounting position: any
- Standard packaging: 1700 pieces per ammo

1) Valid, if leads are kept at ambient temperature at a distance of 10 mm from case

2) $I_F = 1,5 A$, $T_j = 25\text{ °C}$

3) $T_A = 25\text{ °C}$

Absolute Maximum Ratings $T_c = 25\text{ °C}$, unless otherwise specified

Symbol	Conditions	Values	Units
I_{FAV}	Max. averaged fwd. current, R-load, $T_A = 50\text{ °C}$ ¹⁾	3	A
I_{FRM}	Repetitive peak forward current $f > 15\text{ Hz}$ ¹⁾	10	A
I_{FSM}	Peak forward surge current 50 Hz half sinus-wave ³⁾	50	A
i^2t	Rating for fusing, $t < 10\text{ ms}$ ³⁾	12,5	A ² s
R_{thA}	Max. thermal resistance junction to ambient ¹⁾	45	K/W
R_{thT}	Max. thermal resistance junction to terminals ¹⁾	-	K/W
T_j	Operating junction temperature	-50...+175	°C
T_s	Storage temperature	-50...+175	°C

Characteristics $T_c = 25\text{ °C}$, unless otherwise specified

Symbol	Conditions	Values	Units
I_R	Maximum leakage current, $T_j = 25\text{ °C}$; $V_R = V_{RRM}$	<10	μA
	$T_j = 100\text{ °C}$; $V_R = V_{RRM}$	<50	μA
C_j	Typical junction capacitance (at MHz and applied reverse voltage of V)	-	pF
Q_{rr}	Reverse recovery charge ($U_R = V$; $I_F = A$; $dI_F/dt = A/ms$)	-	μC
E_{RSM}	Non repetitive peak reverse avalanche energy ($I_R = mA$; $T_j = \text{°C}$; inductive load switched off)	-	mJ

