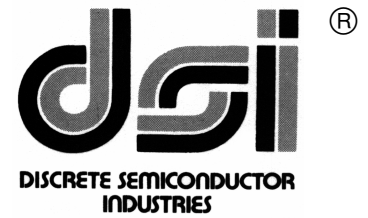


Technical Data

Diode



maximum ratings

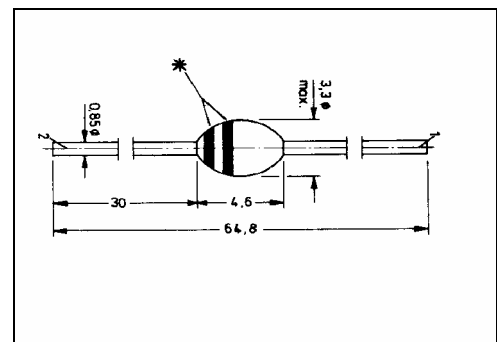
Voltage, Reverse (VR)	400	V	NO.	BYX 92-400
Voltage, Reverse Peak (VRM)	400	V		TYPE
Current at VR = 0V (IO)	1.0	A	CASE	
Current Average Rectified (IF)	1.3	A		
Current, Surge Peak (IFM)	4	A		
Current, Surge (IFM) at tp = 10 ms	20	A		
Max. Power Dissipation (PT) at TC = °C		W		
Max. Thermal Resistance (Rth J-A)	100	°C/W		
Max. Junction Temperature (TJ)	+ 175	°C		

PERFORMANCE CHARACTERISTICS at TC = 25°C, unless otherwise noted

NO.	SYMBOL	CONDITIONS	MIN.	MAX.	UNITS
1.	IR	VR = 400 V	-	10	μA
2.	IR	VR = 400 V, TA = 100° C	-	400	μA
3.	VF	IF = 1 A	-	1.3	V
4.	trr	IF = 0.5 A, IR = 1 A, ir = 0.25 A	-	100	nsec
5.					
6.					
7.					
8.					
9.					
10.					
11.					
12.					
13.					
14.					
15.					
16.					
17.					
18.					

Notes (1) pulse-tested tp ≤ 300 μsec, duty cycle ≤ 2%
 (2) typical value

DIMENSIONS
in mm



Marking BYX 92 – 400

Customer GENERAL PURPOSE