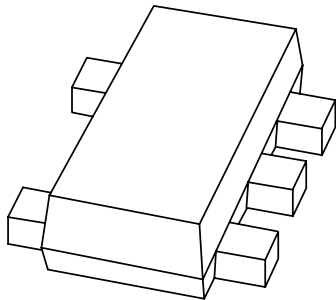


DATA SHEET



BZA900AVL series Quadruple low capacitance ESD suppressor

Product data sheet
Supersedes data of 2003 Apr 15

2003 Oct 20

Quadruple low capacitance ESD suppressor

BZA900AVL series

FEATURES

- Low diode capacitance
- Low leakage current
- SOT665 surface mount package
- Common anode configuration.

APPLICATIONS

- Communication systems
- Computers and peripherals
- Audio and video equipment.

DESCRIPTION

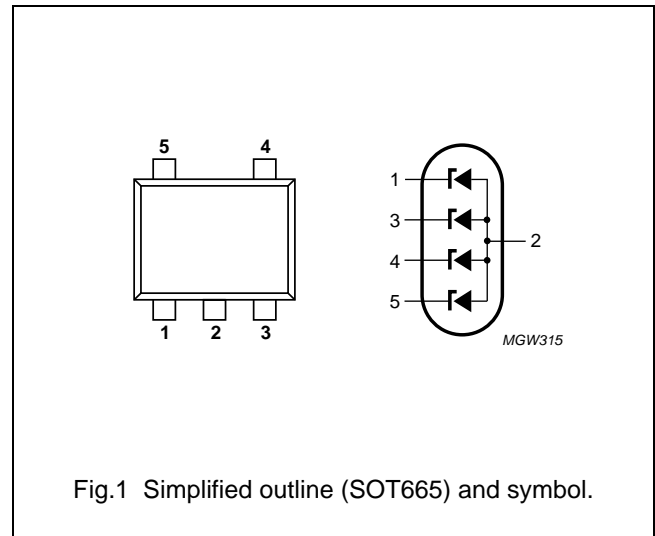
Monolithic transient voltage suppressor diode in a five lead SOT665 package for 4-bit wide ESD transient suppression.

MARKING

TYPE NUMBER	MARKING CODE
BZA956AVL	V3
BZA962AVL	V2
BZA968AVL	V1

PINNING

PIN	DESCRIPTION
1	cathode 1
2	common anode
3	cathode 2
4	cathode 3
5	cathode 4



ORDERING INFORMATION

TYPE NUMBER	PACKAGE		
	NAME	DESCRIPTION	VERSION
BZA956AVL	–	plastic surface mounted package; 5 leads	SOT665
BZA962AVL	–	plastic surface mounted package; 5 leads	SOT665
BZA968AVL	–	plastic surface mounted package; 5 leads	SOT665

Quadruple low capacitance ESD suppressor

BZA900AVL series

LIMITING VALUES

In accordance with the Absolute Maximum Rating System (IEC 60134).

SYMBOL	PARAMETER	CONDITIONS	MIN.	MAX.	UNIT
Per diode					
I_z	working current	$T_{amb} = 25\text{ °C}$	–	note 1	mA
I_F	continuous forward current	$T_{amb} = 25\text{ °C}$	–	200	mA
I_{FSM}	non-repetitive peak forward current	$t_p = 1\text{ ms}$; square pulse	–	3.5	A
P_{tot}	total power dissipation	$T_{amb} = 25\text{ °C}$; note 2; see Fig.5	–	335	mW
P_{ZSM}	non repetitive peak reverse power dissipation	square pulse; $t_p = 1\text{ ms}$	–	6	W
T_{stg}	storage temperature		–65	+150	°C
T_j	junction temperature		–	150	°C
ESD	electrostatic discharge	IEC 61000-4-2 (contact discharge)	15	–	kV
		HBM MIL-Std 883	10	–	kV

Notes

- DC working current limited by $P_{tot(max)}$.
- Device mounted on standard printed-circuit board.

ESD STANDARDS COMPLIANCE

STANDARD	CONDITIONS
IEC 61000-4-2, level 4 (ESD)	>15 kV (air); >8 kV (contact discharge)
HBM MIL-Std 883, class 3	>4 kV

THERMAL CHARACTERISTICS

SYMBOL	PARAMETER	CONDITIONS	VALUE	UNIT
$R_{th\ j-a}$	thermal resistance from junction to ambient	all diodes loaded	370	K/W
$R_{th\ j-s}$	thermal resistance from junction to solder point; note 1	one diode loaded	135	K/W
		all diodes loaded	125	K/W

Note

- Solder point of common anode (pin 2).

Quadruple low capacitance ESD suppressor

BZA900AVL series

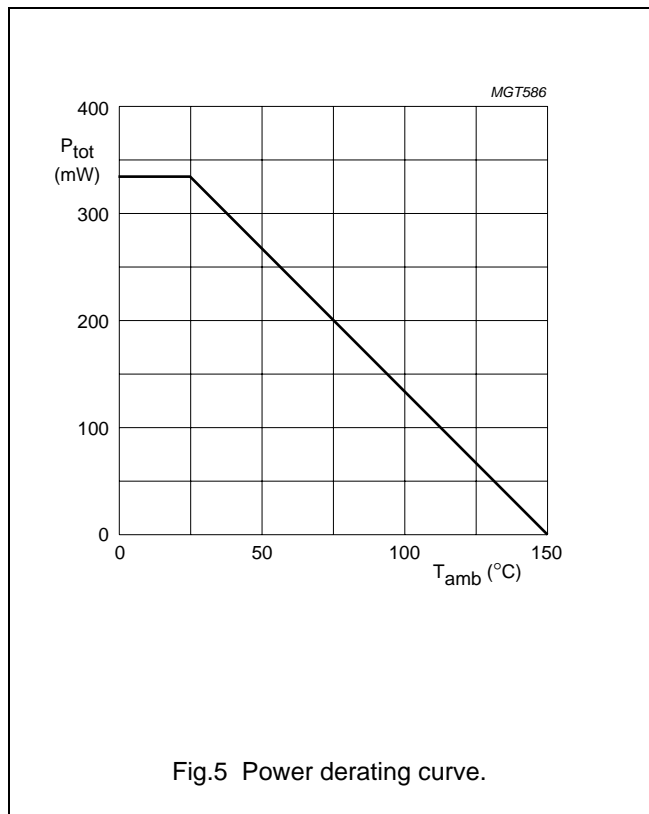
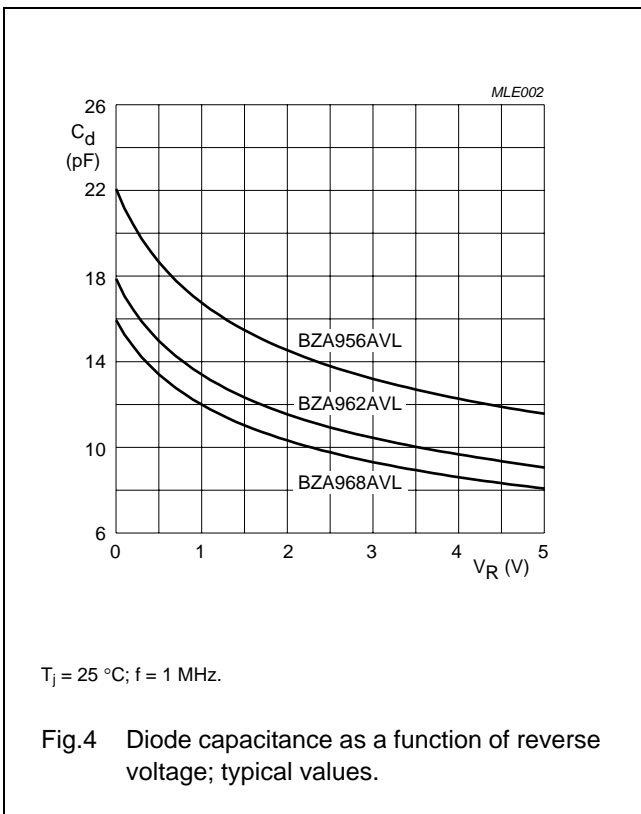
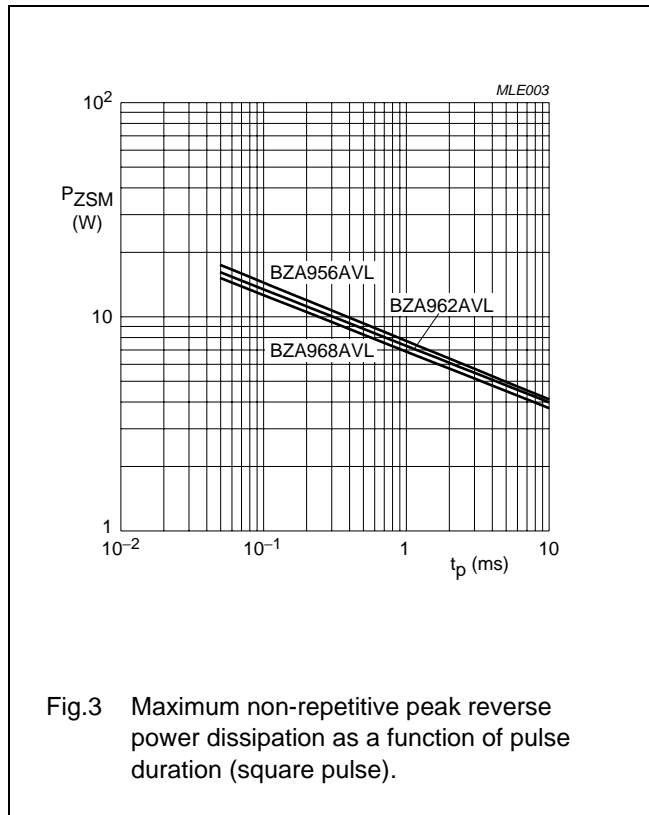
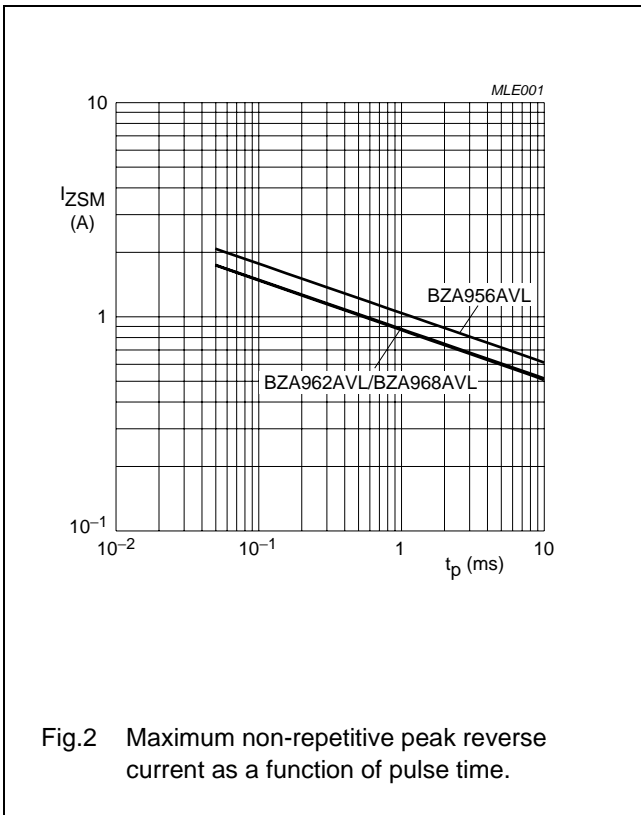
ELECTRICAL CHARACTERISTICS

$T_j = 25\text{ °C}$ unless otherwise specified.

SYMBOL	PARAMETER	CONDITIONS	MIN.	TYP.	MAX.	UNIT
V_F	forward voltage	$I_F = 200\text{ mA}$	–	–	1.2	V
I_R	reverse current					
	BZA956AVL	$V_R = 3\text{ V}$	–	–	200	nA
	BZA962AVL	$V_R = 4\text{ V}$	–	–	100	nA
	BZA968AVL	$V_R = 4.3\text{ V}$	–	–	20	nA
V_Z	working voltage	$I_Z = 1\text{ mA}$				
	BZA956AVL		5.32	5.6	5.88	V
	BZA962AVL		5.89	6.2	6.51	V
	BZA968AVL		6.46	6.8	7.14	V
r_{dif}	differential resistance	$I_Z = 1\text{ mA}$				
	BZA956AVL		–	–	200	Ω
	BZA962AVL		–	–	150	Ω
	BZA968AVL		–	–	100	Ω
S_Z	temperature coefficient	$I_Z = 1\text{ mA}$				
	BZA956AVL		–	1.3	–	mV/K
	BZA962AVL		–	2.4	–	mV/K
	BZA968AVL		–	2.9	–	mV/K
C_d	diode capacitance	$f = 1\text{ MHz}; V_R = 0$				
	BZA956AVL		–	22	28	pF
	BZA962AVL		–	18	22	pF
	BZA968AVL		–	16	19	pF
	diode capacitance	$f = 1\text{ MHz}; V_R = 5\text{ V}$				
	BZA956AVL		–	12	17	pF
	BZA962AVL		–	9	12	pF
	BZA968AVL		–	8	11	pF
I_{ZSM}	non-repetitive peak reverse current	$t_p = 1\text{ ms}; T_{amb} = 25\text{ °C}$				
	BZA956AVL		–	–	0.90	A
	BZA962AVL		–	–	0.85	A
	BZA968AVL		–	–	0.80	A

Quadruple low capacitance ESD suppressor

BZA900AVL series



Quadruple low capacitance ESD suppressor

BZA900AVL series

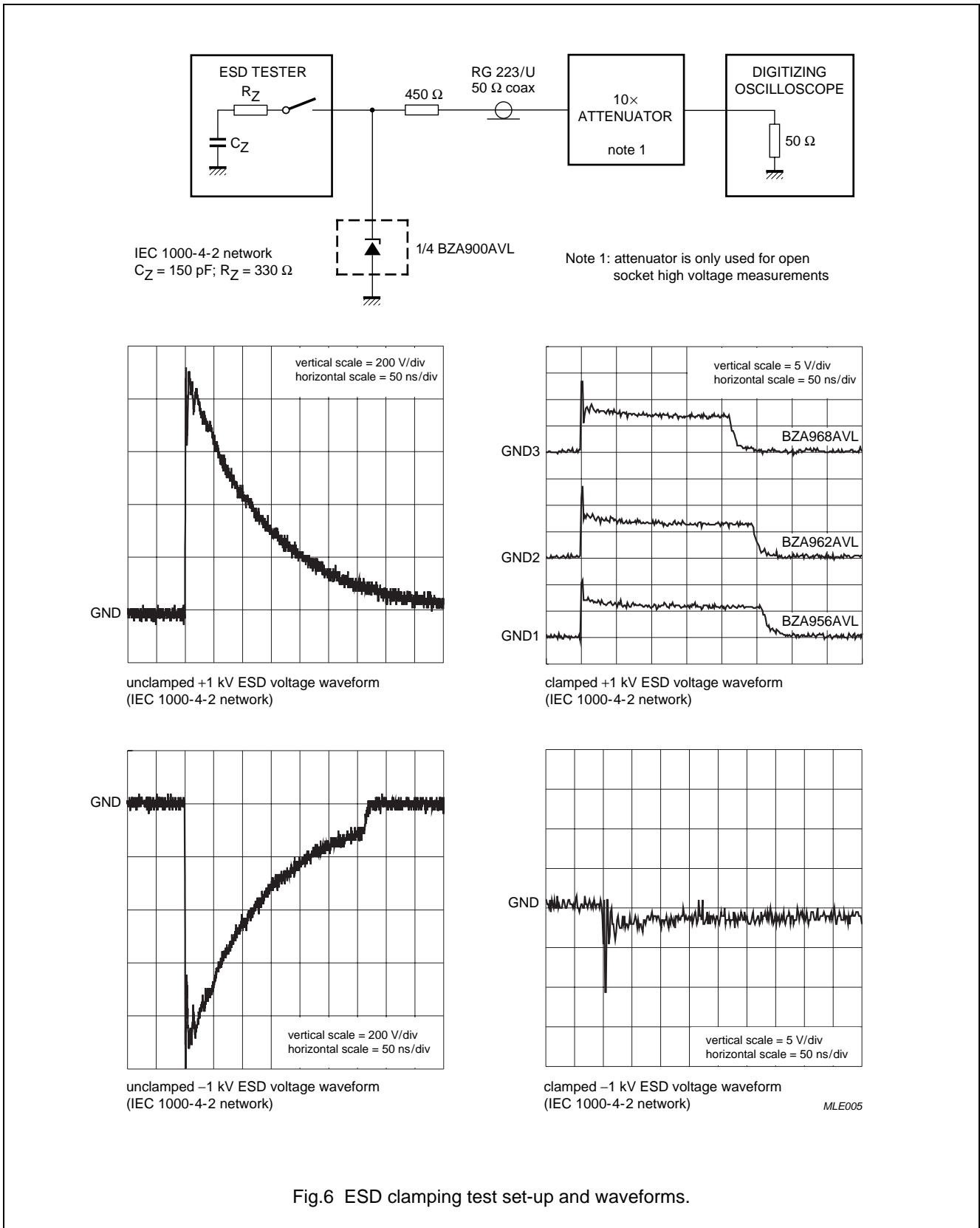


Fig.6 ESD clamping test set-up and waveforms.

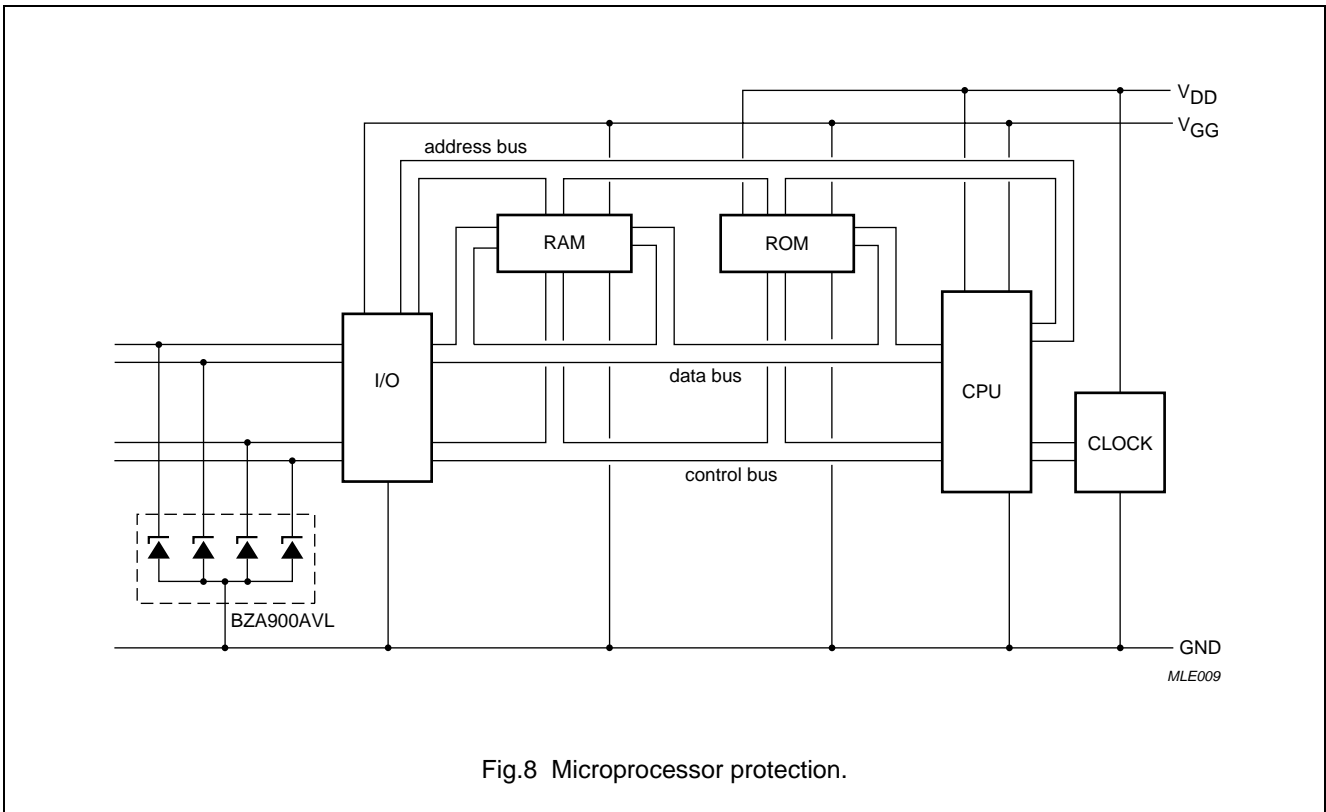
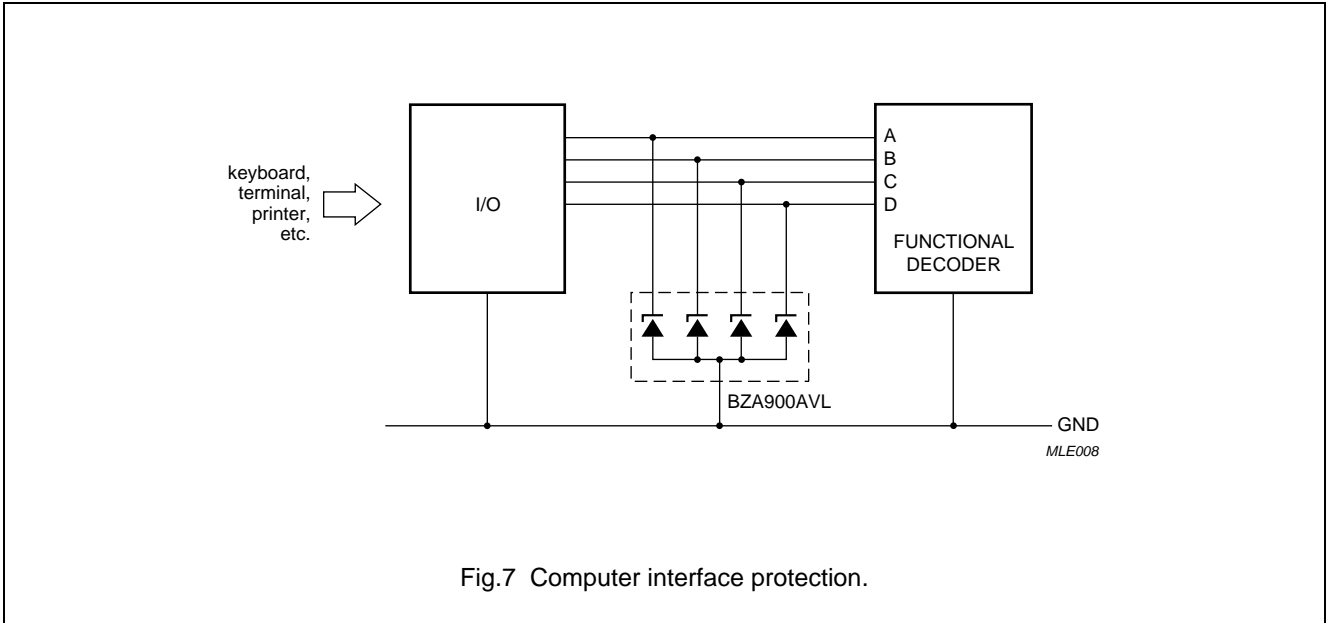
Quadruple low capacitance ESD suppressor

BZA900AVL series

APPLICATION INFORMATION

Typical common anode application

A quadruple transient suppressor in a SOT665 package makes it possible to protect four separate lines using only one package. Two simplified examples are shown in Figs.7 and 8.



Quadruple low capacitance ESD suppressor

BZA900AVL series

Device placement and printed-circuit board layout

Circuit board layout is of extreme importance in the suppression of transients. The clamping voltage of the BZA900AVL is determined by the peak transient current and the rate of rise of that current (di/dt). Since parasitic inductances can further add to the clamping voltage ($V = L di/dt$) the series conductor lengths on the printed-circuit board should be kept to a minimum. This includes the lead length of the suppression element.

In addition to minimizing conductor length the following printed-circuit board layout guidelines are recommended:

1. Place the suppression element close to the input terminals or connectors
2. Keep parallel signal paths to a minimum
3. Avoid running protection conductors in parallel with unprotected conductors
4. Minimize all printed-circuit board loop areas including power and ground loops
5. Minimize the length of the transient return path to ground
6. Avoid using shared transient return paths to a common ground point.

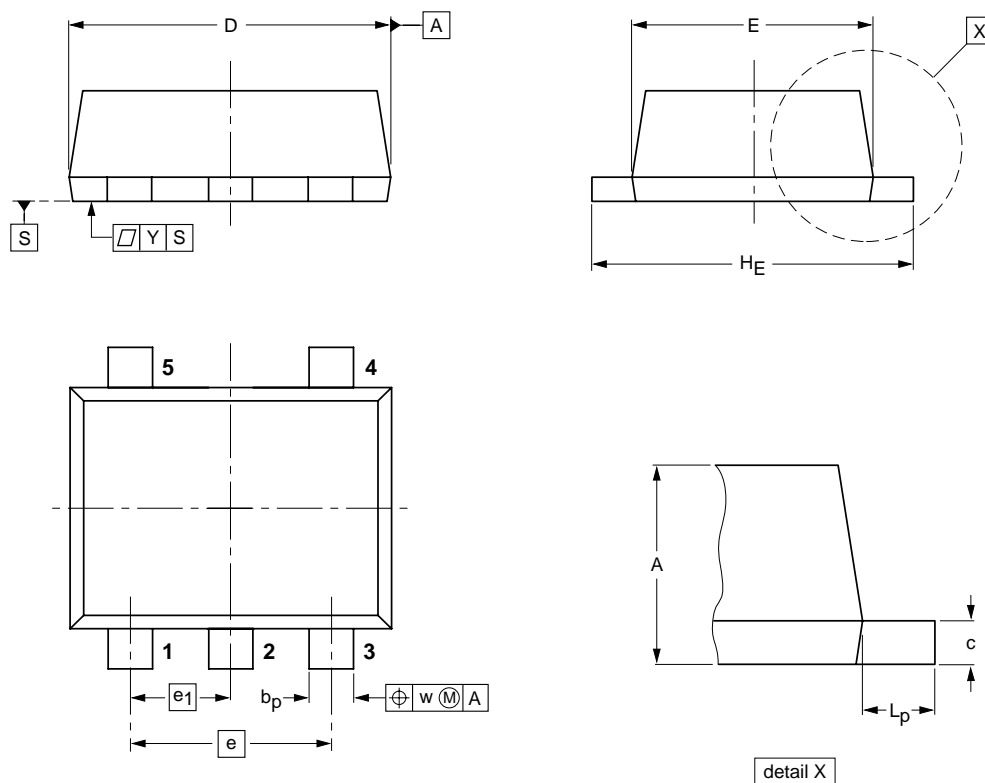
Quadruple low capacitance ESD suppressor

BZA900AVL series

PACKAGE OUTLINE

Plastic surface mounted package; 5 leads

SOT665



DIMENSIONS (mm are the original dimensions)

UNIT	A	b_p	c	D	E	e	e_1	H_E	L_p	w	y
mm	0.6 0.5	0.27 0.17	0.18 0.08	1.7 1.5	1.3 1.1	1.0	0.5	1.7 1.5	0.3 0.1	0.1	0.1

OUTLINE VERSION	REFERENCES			EUROPEAN PROJECTION	ISSUE DATE
	IEC	JEDEC	EIAJ		
SOT665					01-01-04 01-08-27

Quadruple low capacitance ESD suppressor

BZA900AVL series

DATA SHEET STATUS

DOCUMENT STATUS ⁽¹⁾	PRODUCT STATUS ⁽²⁾	DEFINITION
Objective data sheet	Development	This document contains data from the objective specification for product development.
Preliminary data sheet	Qualification	This document contains data from the preliminary specification.
Product data sheet	Production	This document contains the product specification.

Notes

1. Please consult the most recently issued document before initiating or completing a design.
2. The product status of device(s) described in this document may have changed since this document was published and may differ in case of multiple devices. The latest product status information is available on the Internet at URL <http://www.nxp.com>.

DISCLAIMERS

General — Information in this document is believed to be accurate and reliable. However, NXP Semiconductors does not give any representations or warranties, expressed or implied, as to the accuracy or completeness of such information and shall have no liability for the consequences of use of such information.

Right to make changes — NXP Semiconductors reserves the right to make changes to information published in this document, including without limitation specifications and product descriptions, at any time and without notice. This document supersedes and replaces all information supplied prior to the publication hereof.

Suitability for use — NXP Semiconductors products are not designed, authorized or warranted to be suitable for use in medical, military, aircraft, space or life support equipment, nor in applications where failure or malfunction of an NXP Semiconductors product can reasonably be expected to result in personal injury, death or severe property or environmental damage. NXP Semiconductors accepts no liability for inclusion and/or use of NXP Semiconductors products in such equipment or applications and therefore such inclusion and/or use is at the customer's own risk.

Applications — Applications that are described herein for any of these products are for illustrative purposes only. NXP Semiconductors makes no representation or warranty that such applications will be suitable for the specified use without further testing or modification.

Limiting values — Stress above one or more limiting values (as defined in the Absolute Maximum Ratings System of IEC 60134) may cause permanent damage to the device. Limiting values are stress ratings only and operation of the device at these or any other conditions above those given in the Characteristics sections of this document is not implied. Exposure to limiting values for extended periods may affect device reliability.

Terms and conditions of sale — NXP Semiconductors products are sold subject to the general terms and conditions of commercial sale, as published at <http://www.nxp.com/profile/terms>, including those pertaining to warranty, intellectual property rights infringement and limitation of liability, unless explicitly otherwise agreed to in writing by NXP Semiconductors. In case of any inconsistency or conflict between information in this document and such terms and conditions, the latter will prevail.

No offer to sell or license — Nothing in this document may be interpreted or construed as an offer to sell products that is open for acceptance or the grant, conveyance or implication of any license under any copyrights, patents or other industrial or intellectual property rights.

Export control — This document as well as the item(s) described herein may be subject to export control regulations. Export might require a prior authorization from national authorities.

Quick reference data — The Quick reference data is an extract of the product data given in the Limiting values and Characteristics sections of this document, and as such is not complete, exhaustive or legally binding.

NXP Semiconductors

Customer notification

This data sheet was changed to reflect the new company name NXP Semiconductors. No changes were made to the content, except for the legal definitions and disclaimers.

Contact information

For additional information please visit: **<http://www.nxp.com>**

For sales offices addresses send e-mail to: **salesaddresses@nxp.com**

© NXP B.V. 2009

All rights are reserved. Reproduction in whole or in part is prohibited without the prior written consent of the copyright owner.

The information presented in this document does not form part of any quotation or contract, is believed to be accurate and reliable and may be changed without notice. No liability will be accepted by the publisher for any consequence of its use. Publication thereof does not convey nor imply any license under patent- or other industrial or intellectual property rights.

Printed in The Netherlands

R76/03/pp11

Date of release: 2003 Oct 20

Document order number: 9397 750 11935

