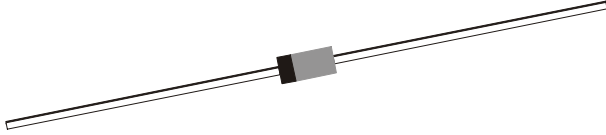


SILICON GLASS PASSIVATED 0.5WATT ZENER DIODES

**BZX79C 2V4 to 51V
DO-35 500mW**



These Zeners Are Best Suited for Industrial Purpose, Military & Space Applications when Hermetically Sealed in Glass with Double Stud This Glass Passivated Chip Provides Excellent Stability & Reliability.

ABSOLUTE MAXIMUM RATINGS (Ta=25 deg C)

DESCRIPTION	SYMBOL	VALUE	UNIT
Power Dissipation	PD	500	mW
Surge Power Dissipation @ tp=83ms	PDS	5.0	W
Operating & Storage Junction Temperature Range	Tj, Tstg	-65 to +200	deg C
Thermal Resistance Junction to Ambient (1)	Rth(j-a)	300	deg C/W

ELECTRICAL CHARACTERISTICS (Ta=25 deg C Unless otherwise Specified)

Forward Voltage @ IF=200mA	VF	1.5	V
----------------------------	----	-----	---

(1) On infinite Heatsink With 4mm Lead Length.

ELECTRICAL CHARACTERISTICS (Ta=25 deg C Unless otherwise Specified)

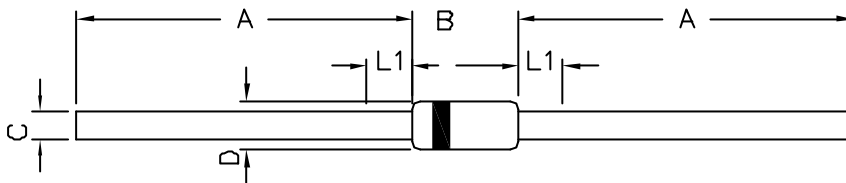
Device	VZT @ IZT *		rZT @ IZT	rZK @ IZK	Temp. Coeff of VZ		IR @ Tamb		VR	IZM		
	min (V)	max (V)			min (mV/deg C)	max (mV/deg C)	max (uA) 25 deg C	max (uA) 150degC				
BZX79C 2V4	2.20	2.60	100	5.0	600	1.0	-3.5	0	50	100	1.0	155
BZX79C 2V7	2.50	2.90	100	5.0	600	1.0	-3.5	0	20	50	1.0	135
BZX79C 3V0	2.80	3.20	95	5.0	600	1.0	-3.5	0	10	40	1.0	125
BZX79C 3V3	3.10	3.50	95	5.0	600	1.0	-3.5	0	5.0	40	1.0	115
BZX79C 3V6	3.40	3.80	90	5.0	600	1.0	-3.5	0	5.0	40	1.0	105
BZX79C 3V9	3.70	4.10	90	5.0	600	1.0	-3.5	0	3.0	40	1.0	95
BZX79C 4V3	4.00	4.60	90	5.0	600	1.0	-3.5	0	3.0	20	1.0	90
BZX79C 4V7	4.40	5.00	80	5.0	500	1.0	-3.5	0.2	3.0	10	2.0	85
BZX79C 5V1	4.80	5.40	60	5.0	480	1.0	-2.7	1.2	2.0	10	2.0	80
BZX79C 5V6	5.20	6.00	40	5.0	400	1.0	-2.0	2.5	1.0	10	2.0	70
BZX79C 6V2	5.80	6.60	10	5.0	150	1.0	0.4	3.7	3.0	10	4.0	64
BZX79C 6V8	6.40	7.20	15	5.0	80	1.0	1.2	4.5	2.0	5.0	4.0	58
BZX79C 7V5	7.00	7.90	15	5.0	80	1.0	2.5	5.3	1.0	5.0	5.0	53
BZX79C 8V2	7.70	8.70	15	5.0	80	1.0	3.2	6.2	0.7	2.0	5.0	47
BZX79C 9V1	8.50	9.60	15	5.0	100	1.0	3.8	7	0.5	2.0	6.0	43
BZX79C 10	9.40	10.60	20	5.0	150	1.0	4.5	8	0.2	2.0	7.0	40
BZX79C 11	10.40	11.60	20	5.0	150	1.0	5.4	9	0.1	2.0	8.0	36
BZX79C 12	11.40	12.70	25	5.0	150	1.0	6.0	10	0.1	2.0	8.0	32
BZX79C 13	12.40	14.10	30	5.0	170	1.0	7.0	11	0.1	2.0	8.0	29
BZX79C 15	13.80	15.60	30	5.0	200	1.0	9.2	13	0.05	2.0	10	27
BZX79C 16	15.30	17.10	40	5.0	200	1.0	10.4	14	0.05	2.0	11	24
BZX79C 18	16.80	19.10	45	5.0	225	1.0	12.4	16	0.05	2.0	13	21
BZX79C 20	18.80	21.20	55	5.0	225	1.0	14.4	18	0.05	2.0	14	20
BZX79C 22	20.80	23.30	55	5.0	250	1.0	16.4	20	0.05	2.0	15	18

ELECTRICAL CHARACTERISTICS (Ta=25 deg C Unless otherwise Specified)

Device	VZT	@ IZT *	rZT @	IZT	rZK	@ IZK	Temp. Coeff		IR @	VR	IZM	
							of	Tamb				
	min	max	max		max		min	max	25 deg C	150degC		
	(V)	(V)	(ohm)	(mA)	(ohm)	(mA)	(mV/deg C)		(uA)	(uA)	(V)	(mA)
BZX79C 24	22.80	25.60	70	5.0	250	1.0	18.4	22	0.05	2.0	17	16
BZX79C 27	25.10	28.90	80	2.0	300	0.5	21.4	25.3	0.05	2.0	19	14
BZX79C 30	28.00	32.00	80	2.0	300	0.5	24.4	29.4	0.05	2.0	21	13
BZX79C 33	31.00	35.00	80	2.0	325	0.5	27.4	33.4	0.05	2.0	23	12
BZX79C 36	34.00	38.00	90	2.0	350	0.5	30.4	37.4	0.05	2.0	25	11
BZX79C 39	37.00	41.00	130	2.0	350	0.5	33.4	41.2	0.05	2.0	27	10
BZX79C 43	40.00	46.00	150	2.0	375	0.5	37.6	46.6	0.05	2.0	29	9.2
BZX79C 47	44.00	50.00	170	2.0	375	0.5	42	51.8	0.05	2.0	33	8.5
BZX79C 51	48.00	54.00	180	2.0	400	0.5	46.6	57.2	0.05	2.0	36	7.8

*Pulse Condition : 20ms= tp=50ms . Duty Cycle=2%

DO-35 Glass Axial Package

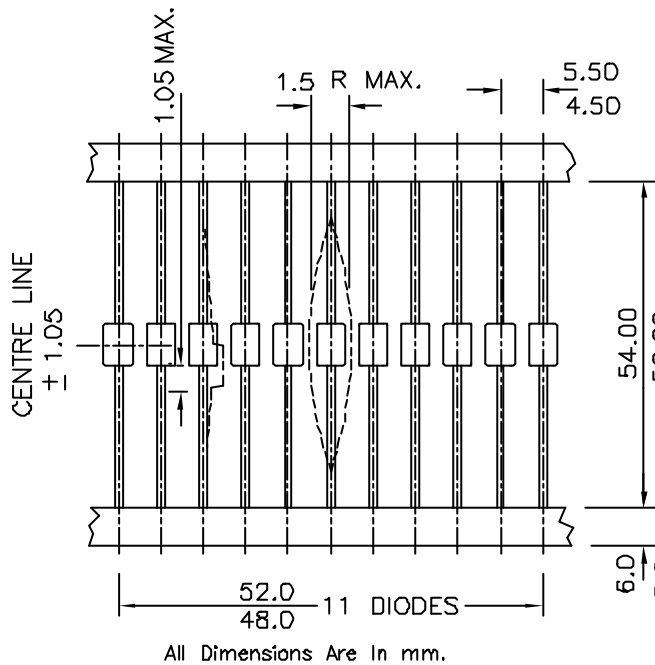


DIM	MIN	MAX
A	25.40	38.10
B	3.05	5.08
C	0.46	0.55
D	1.53	2.28
L1	-	1.27

NOTES:-

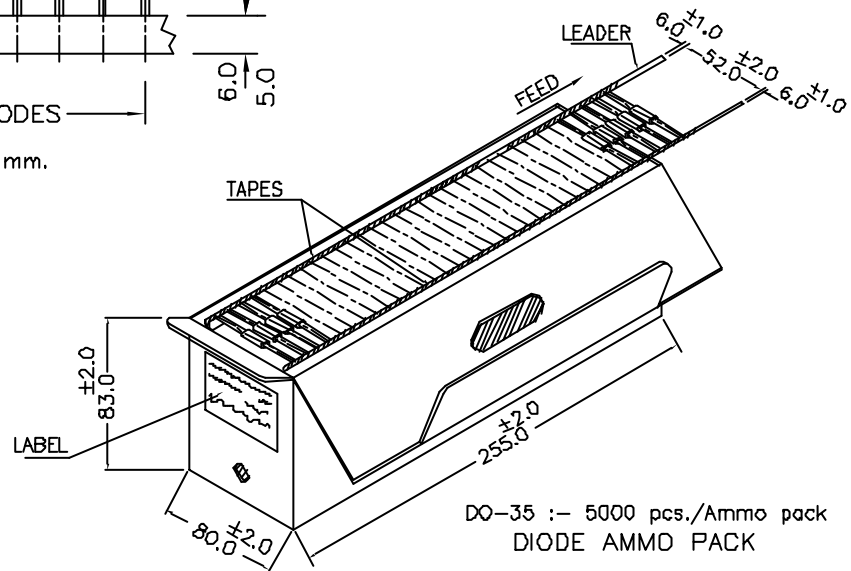
Cathode is marked by Band.
All Dimensions Are In mm.

DO-35, 52mm Taping Specification



52mm Taping Specification

1. T & A Indicates Axial Tape & Ammo packing (52 mm Tape Specing)
2. 300 mm (min) leader tape on every spool.
3. No. of empty places allowed 0.25% without consecutive empty places.
4. Ends of leads shall preferably not protrude beyond the tapes.
5. Components shall be held sufficiently in the tape or tapes so that they can not come free in normal handling.



on request also available in 26 mm Tape and Ammo Pack

Packing Detail

PACKAGE	STANDARD PACK		INNER CARTON BOX		OUTER CARTON BOX		
	Details	Net Weight/Qty	Size	Qty	Size	Qty	Qty
DO-35 T&A	5K/ammo box	0.88kg/5K pcs	10"X3.5"X3.5"	5.0K	12.7"X12.7"X20"	125.0K	25Kgs

Customer Notes

Disclaimer

The product information and the selection guides facilitate selection of the CDIL's Semiconductor Device(s) best suited for application in your product(s) as per your requirement. It is recommended that you completely review our Data Sheet(s) so as to confirm that the Device(s) meet functionality parameters for your application. The information furnished on the CDIL Web Site/CD are believed to be accurate and reliable. CDIL however, does not assume responsibility for inaccuracies or incomplete information. Furthermore, CDIL does not assume liability whatsoever, arising out of the application or use of any CDIL product; neither does it convey any license under its patent rights nor rights of others. These products are not designed for use in life saving/support appliances or systems. CDIL customers selling these products (either as individual Semiconductor Devices or incorporated in their end products), in any life saving/support appliances or systems or applications do so at their own risk and CDIL will not be responsible for any damages resulting from such sale(s).

CDIL strives for continuous improvement and reserves the right to change the specifications of its products without prior notice.



CDIL is a registered Trademark of

Continental Device India Limited

C-120 Naraina Industrial Area, New Delhi 110 028, India.

Telephone + 91-11-2579 6150, 4141 1112 Fax + 91-11-2579 5290, 4141 1119

email@cdil.com www.cdilsemi.com