

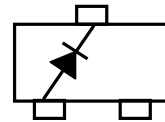
**FEATURES**

- Planar Die Construction.
- 200mW Power Dissipation
- Zener Voltages From 2.4V - 43V
- 5% Standard Vz Tolerance
- Designed for Surface Mount Application
- Plastic Material – UL Recognition Flammability Classification 94V-O



**MECHANICAL DATA**

- Case: SOT-323, Molded Plastic
- Terminals: Plated Leads Solderable per MIL-STD-202, Method 208
- Polarity: See Diagram
- Weight: 0.006 grams (approx.)



**Maximum Ratings (TA=25 °C unless otherwise noted)**

Characteristic	Symbol	Value	Unit
Forward Voltage (Note 2) @ IF = 10mA	V <sub>F</sub>	0.9	V
Power Dissipation(Note 1)	P <sub>D</sub>	200	mW
Thermal Resistance, Junction to Ambient Air	R <sub>θJ</sub>	625	°C /W
Operating and Storage Temperature Range	T <sub>j</sub> ,T <sub>ST</sub>	-65~ +150	°C

Notes: 1. Device mounted on ceramic PCB: 7.6mm x 9.4mm x 0.87mm with pad areas 25mm<sup>2</sup>

2. Short duration test pulse used to minimize self-heating effect

3. f=1KHZ

**ELECTRICAL CHARACTERISTICS @ Ta=25°C unless otherwise specified**

Type Number	Zener Voltage Range (Note 2)				Maximum Zener Impedance (Note 3)			Maximum Reverse Current		Temperature Coefficient of Zener voltage @ I <sub>ZT</sub> =5mA mV/°C	
	V <sub>Z</sub> @I <sub>ZT</sub>			I <sub>ZT</sub>	Z <sub>ZT</sub> @I <sub>ZT</sub>	Z <sub>ZK</sub> @I <sub>ZK</sub>	I <sub>ZK</sub>	I <sub>R</sub>	V <sub>R</sub>		
	Nom(V)	Min(V)	Max(V)	(mA)	(Ω)		(mA)	(μA)	(V)	Min	Max
BZX84C2V4W	2.4	2.2	2.6	5	100	600	1.0	50	1.0	-3.5	0
BZX84C2V7W	2.7	2.5	2.9	5	100	600	1.0	20	1.0	-3.5	0
BZX84C3V0W	3.0	2.8	3.2	5	95	600	1.0	10	1.0	-3.5	0
BZX84C3V3W	3.3	3.1	3.5	5	95	600	1.0	5	1.0	-3.5	0
BZX84C3V6W	3.6	3.4	3.8	5	90	600	1.0	5	1.0	-3.5	0
BZX84C3V9W	3.9	3.7	4.1	5	90	600	1.0	3	1.0	-3.5	0
BZX84C4V3W	4.3	4.0	4.6	5	90	600	1.0	3	1.0	-3.5	0
BZX84C4V7W	4.7	4.4	5.0	5	80	500	1.0	3	2.0	-3.5	0.2
BZX84C5V1W	5.1	4.8	5.4	5	60	480	1.0	2	2.0	-2.7	1.2
BZX84C5V6W	5.6	5.2	6.0	5	40	400	1.0	1	2.0	-2.0	2.5
BZX84C6V2W	6.2	5.8	6.6	5	10	150	1.0	3	4.0	0.4	3.7
BZX84C6V8W	6.8	6.4	7.2	5	15	80	1.0	2	4.0	1.2	4.5
BZX84C7V5W	7.5	7.0	7.9	5	15	80	1.0	1	5.0	2.5	5.3
BZX84C8V2W	8.2	7.7	8.7	5	15	80	1.0	0.7	5.0	3.2	6.2
BZX84C9V1W	9.1	8.5	9.6	5	15	100	1.0	0.5	6.0	3.8	7.0
BZX84C10W	10	9.4	10.6	5	20	150	1.0	0.2	7.0	4.5	8.0
BZX84C11W	11	10.4	11.6	5	20	150	1.0	0.1	8.0	5.4	9.0
BZX84C12W	12	11.4	12.7	5	25	150	1.0	0.1	8.0	6.0	10.0
BZX84C13W	13	12.4	14.1	5	30	170	1.0	0.1	8.0	7.0	11.0
BZX84C15W	15	13.8	15.6	5	30	200	1.0	0.1	10.5	9.2	13.0
BZX84C16W	16	15.3	17.1	5	40	200	1.0	0.1	11.2	10.4	14.0
BZX84C18W	18	16.8	19.1	5	45	225	1.0	0.1	12.6	12.4	16.0
BZX84C20W	20	18.8	21.2	5	55	225	1.0	0.1	14.0	14.4	18.0
BZX84C22W	22	20.8	23.3	5	55	250	1.0	0.1	15.4	16.4	20.0
BZX84C24W	24	22.8	25.6	5	70	250	1.0	0.1	16.8	18.4	22.0
BZX84C27W	27	25.1	28.9	2	80	300	0.5	0.1	18.9	21.4	25.3
BZX84C30W	30	28.0	32.0	2	80	300	0.5	0.1	21.0	24.4	29.4
BZX84C33W	33	31.0	35.0	2	80	325	0.5	0.1	23.1	27.4	33.4
BZX84C36W	36	34.0	38.0	2	90	350	0.5	0.1	25.2	30.4	37.4
BZX84C39W	39	37.0	41.0	2	130	350	0.5	0.1	27.3	33.4	41.2
BZX84C43W	43	40.0	46.0	2	100	700	1.0	0.1	32.0	10.0	12.0

**Typical Characteristics**

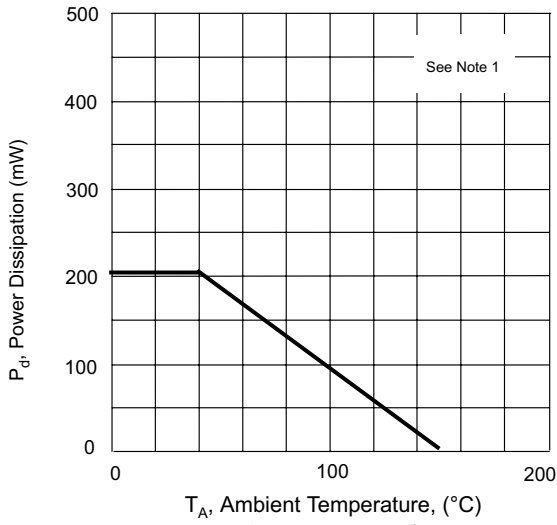


Fig. 1 Power Derating Curve

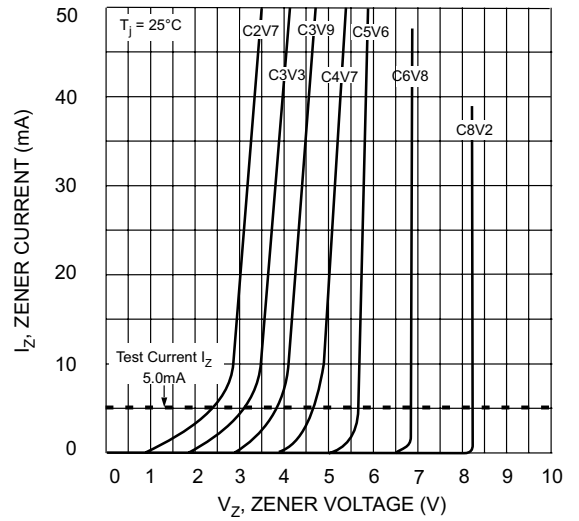


Fig. 2 Zener Breakdown Characteristics

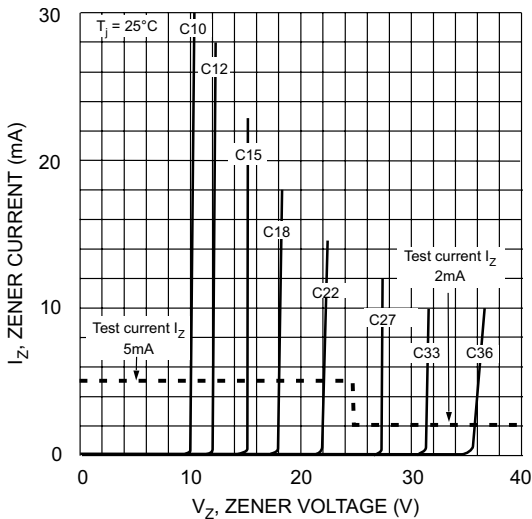


Fig. 3 Zener Breakdown Characteristics

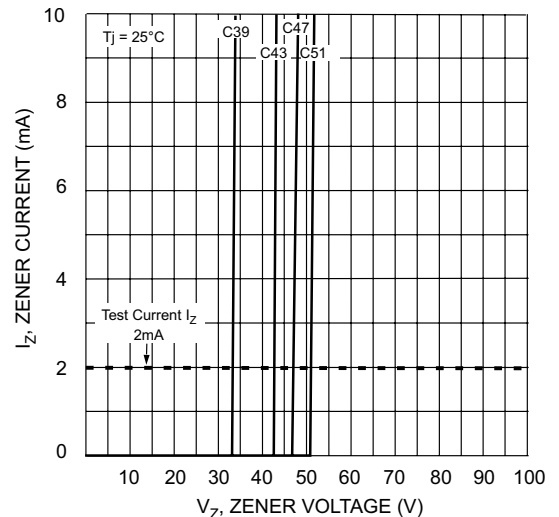


Fig. 4 Zener Breakdown Characteristics

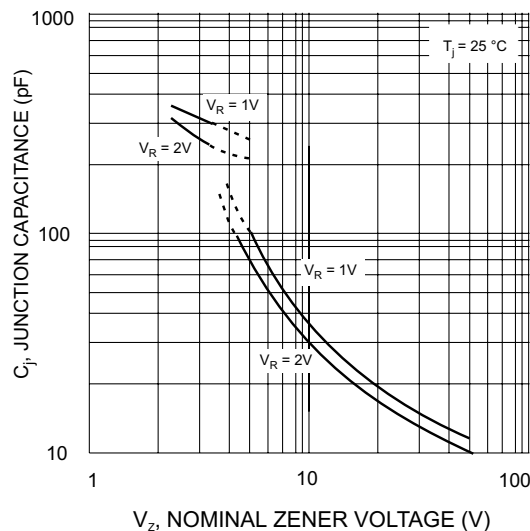
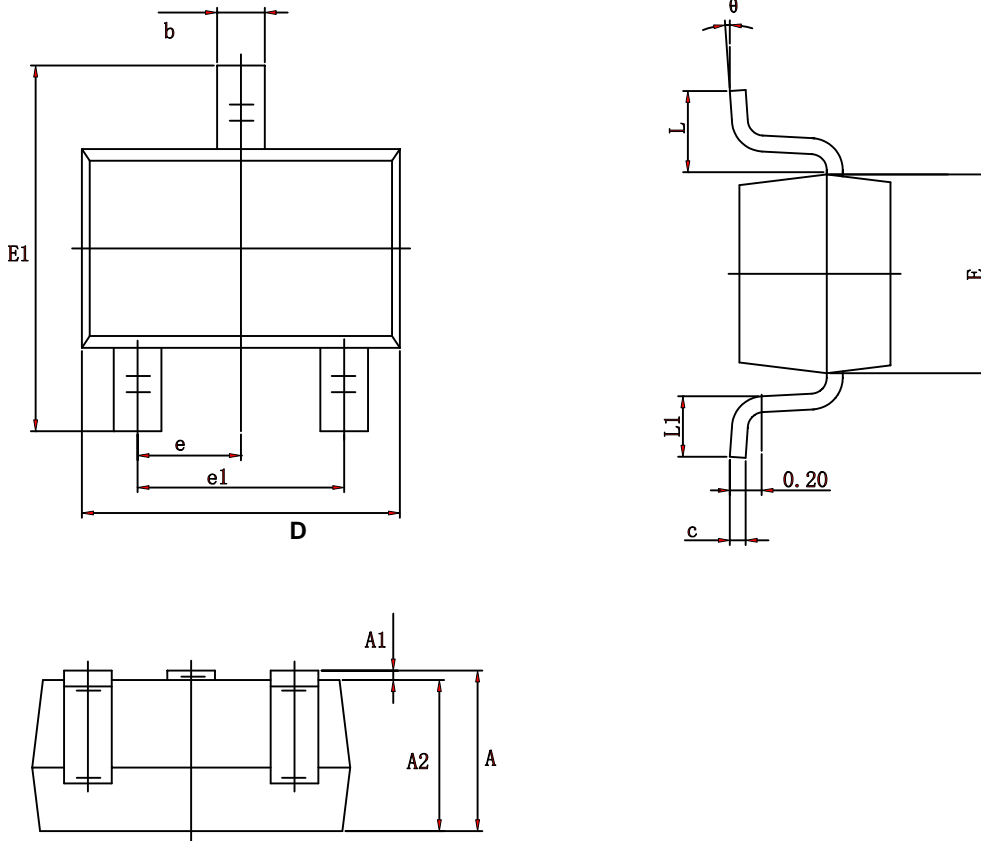
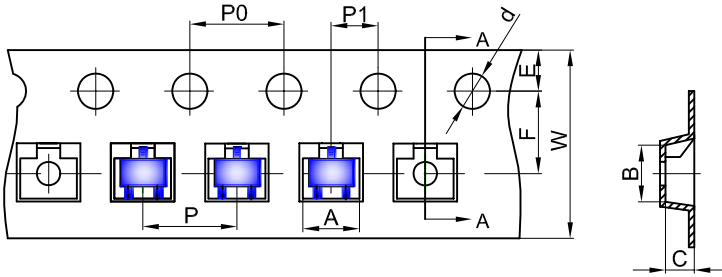


Fig. 5 Junction Capacitance vs. Nominal Zener Voltage

**SOT-323 Package Outline Dimensions**


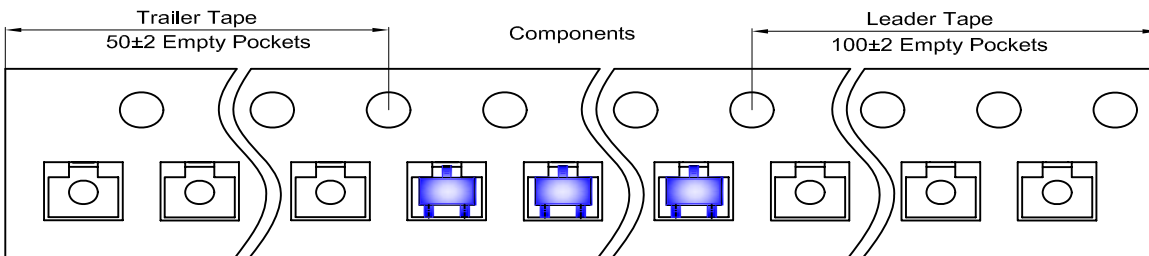
Symbol	Dimensions In Millimeters		Dimensions In Inches	
	Min	Max	Min	Max
A	0.900	1.100	0.035	0.043
A1	0.000	0.100	0.000	0.004
A2	0.900	1.000	0.035	0.039
b	0.200	0.400	0.008	0.016
c	0.080	0.150	0.003	0.006
D	2.000	2.200	0.079	0.087
E	1.150	1.350	0.045	0.053
E1	2.150	2.450	0.085	0.096
e	0.650 TYP		0.026 TYP	
e1	1.200	1.400	0.047	0.055
L	0.525 REF		0.021 REF	
L1	0.260	0.460	0.010	0.018
θ	0°	8°	0°	8°

**SOT-323 Embossed Carrier Tape**

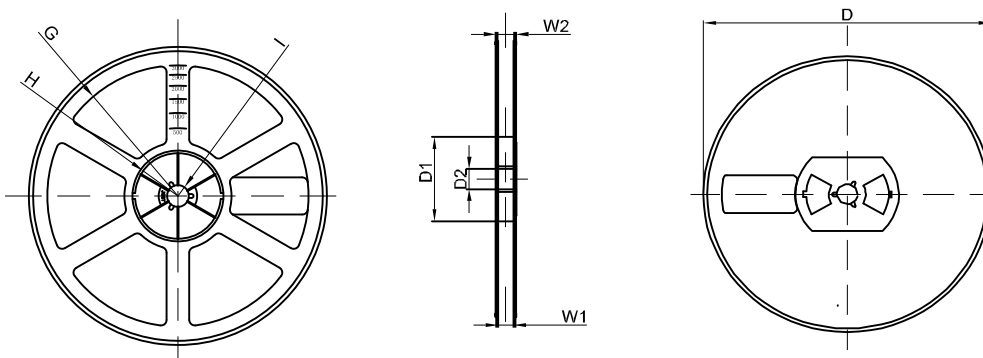


DIMENSIONS ARE IN MILLIMETER										
TYPE	A	B	C	d	E	F	P0	P	P1	W
SOT-323	2.25	2.55	1.19	φ1.55	1.75	3.50	4.00	4.00	2.00	8.00
TOLERANCE	±0.1	±0.1	±0.1	±0.1	±0.1	±0.1	±0.1	±0.1	±0.1	±0.1

**SOT-323 Tape Leader and Traller**



**SOT-323 Reel**



DIMENSIONS ARE IN MILLIMETER								
REEL OPTION	D	D1	D2	G	H	I	W1	W2
7" DIA	φ178	54.40	13.00	R78	R25.60	R6.50	9.50	12.30
TOLERANCE	±2	±1	±1	±1	±1	±1	±1	±1