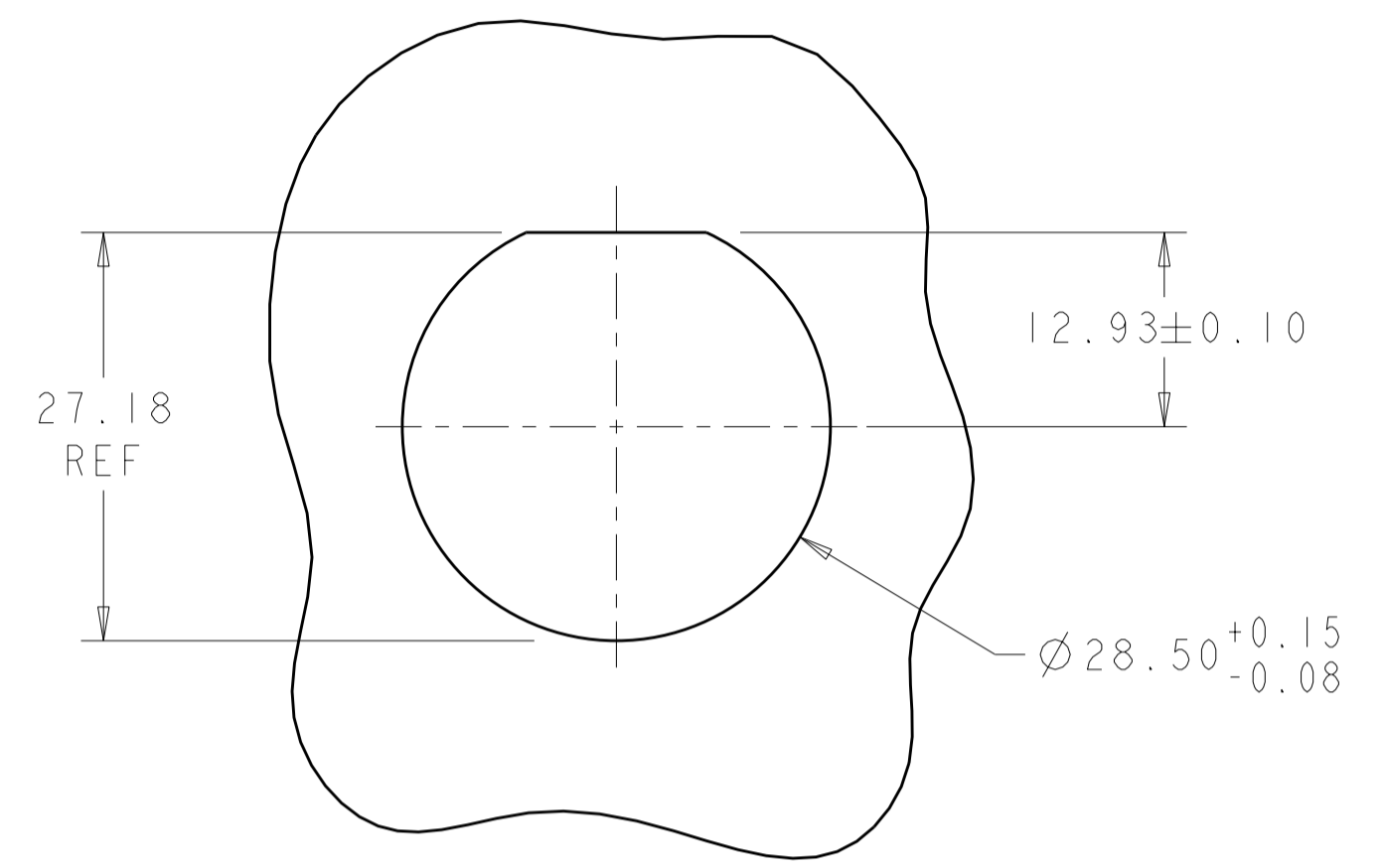
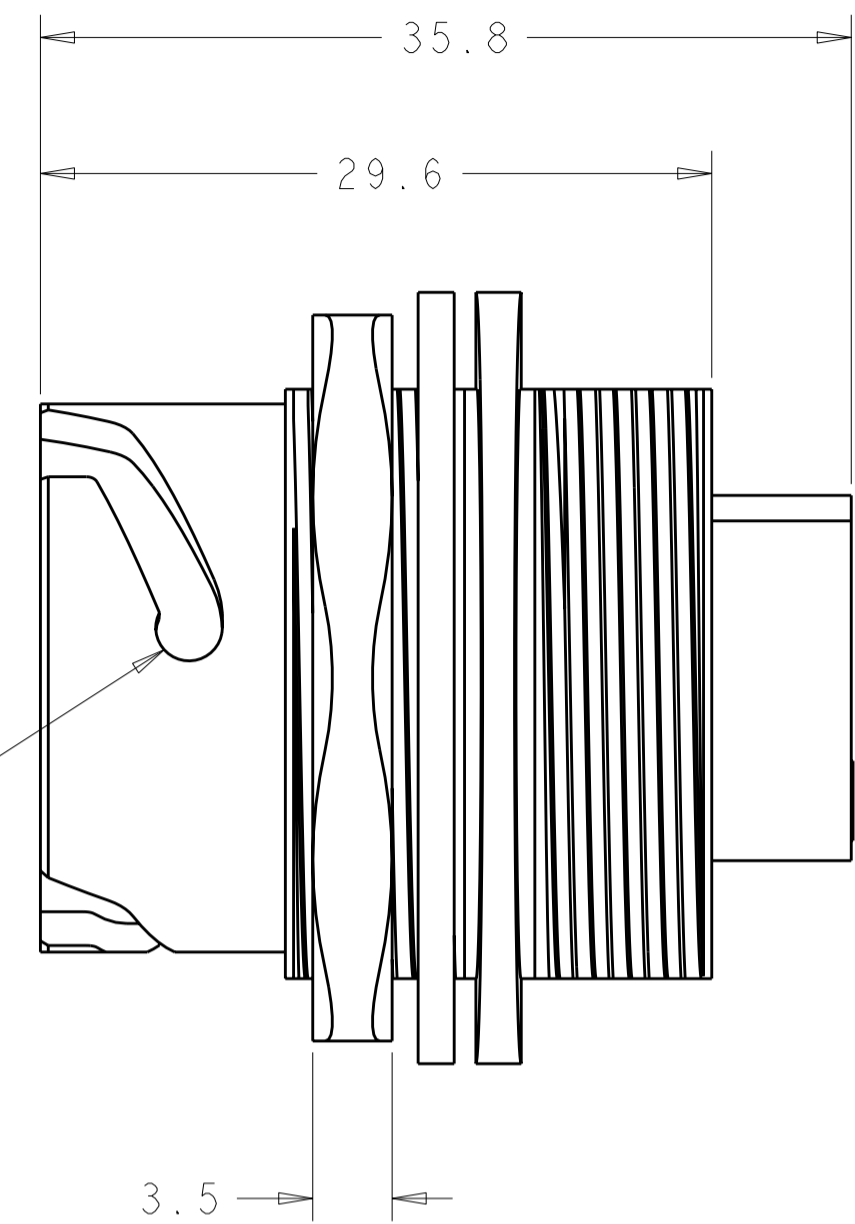
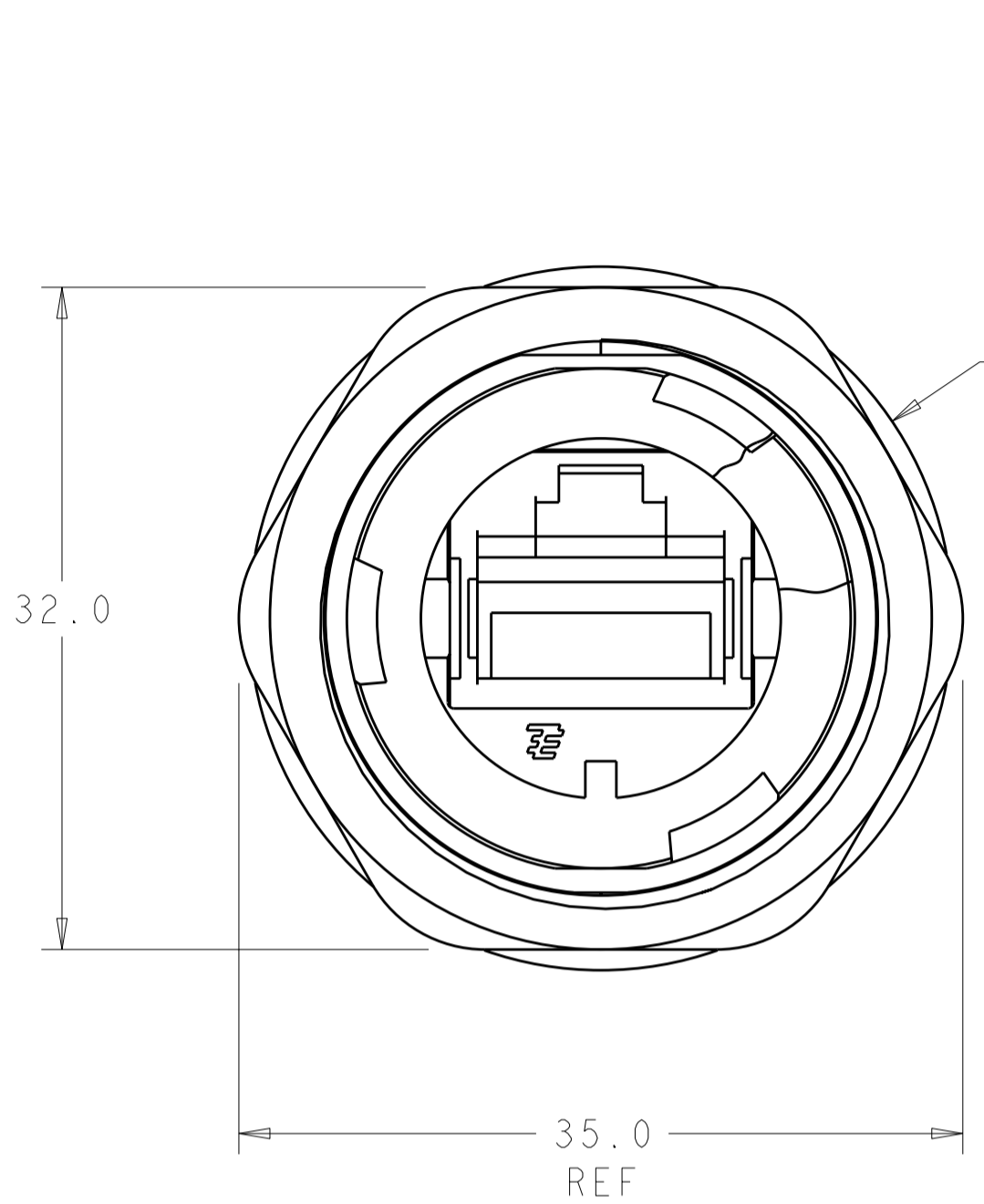
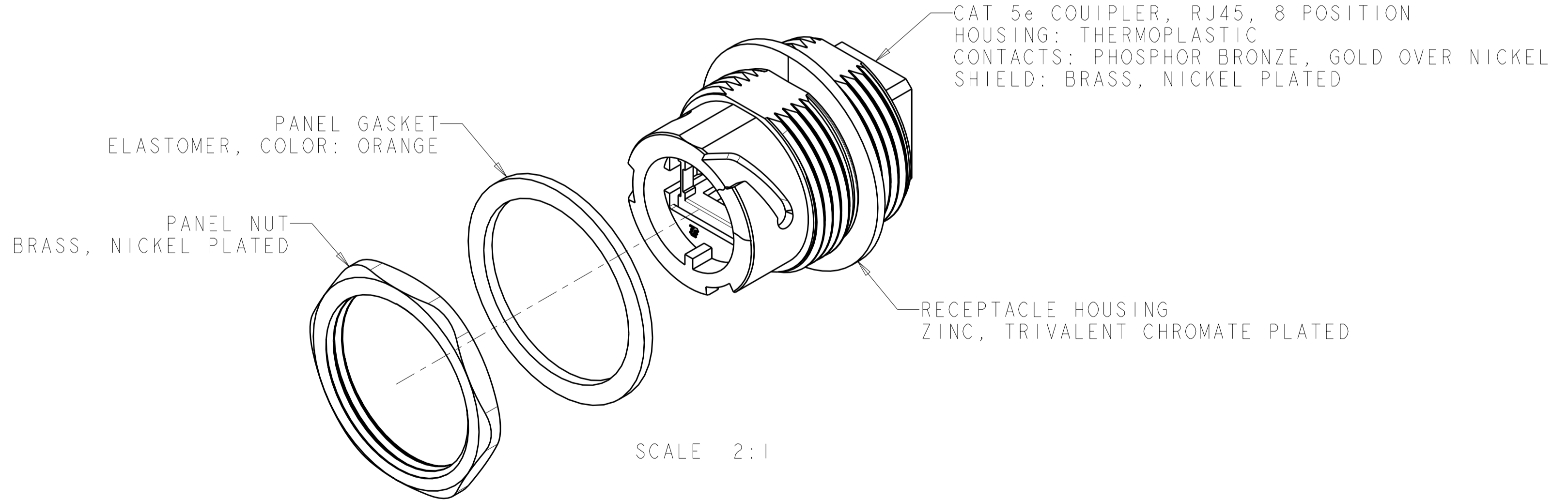


| LOC |     | DIST        |                           | REVISIONS |      |    |  |
|-----|-----|-------------|---------------------------|-----------|------|----|--|
| P   | LTR | DESCRIPTION | DATE                      | DWN       | APVD |    |  |
| -   | -   | AI          | REVISED PER ECO-09-010030 | 24APR2009 | SS   | MS |  |



**RECOMMENDED PANEL CUTOUT**  
 3.2mm MAXIMUM PANEL THICKNESS



|             |             |
|-------------|-------------|
| SHIELDED    | 2008615-2   |
| UNSHIELDED  | 2008615-1   |
| DESCRIPTION | PART NUMBER |

|   |  |                                  |   |                        |
|---|--|----------------------------------|---|------------------------|
| THIS DRAWING IS A CONTROLLED DOCUMENT FOR TYCO ELECTRONICS CORPORATION. IT IS SUBJECT TO CHANGE AND THE CONTROLLING ENGINEERING ORGANIZATION SHOULD BE CONTACTED FOR THE LATEST REVISION. |  | DWN<br>S. WELDON<br>01APR2008    | Tyco Electronics<br>Harrisburg, PA 17105-3608                       |                        |
| DIMENSIONS:<br>mm   |  | CHK<br>C. HERTZLER<br>01APR2008  | NAME<br>RECEPTACLE KIT, 8 POSITION<br>INDUSTRIAL ETHERNET CONNECTOR |                        |
| TOLERANCES UNLESS OTHERWISE SPECIFIED:<br>0 PLC ±1.0<br>1 PLC ±0.2<br>2 PLC ±0.10<br>3 PLC ±0.000<br>4 PLC ±0.0000<br>ANGLES ±<br>FINISH  |  | APVD<br>C. HERTZLER<br>01APR2008 | RESTRICTED TO   |                        |
| MATERIAL  |  | PRODUCT SPEC                     | SIZE<br>A200779   | CAGE CODE<br>C-2008615 |
|   |  | APPLICATION SPEC                 | DRAWING NO<br>2008615   |                        |
|   |  | WEIGHT                           | SCALE 3:1   |                        |
|   |  | CUSTOMER DRAWING                 | SHEET OF REV  |                        |

- CONNECTOR MAY BE FRONT OR REAR PANEL MOUNTED. VIEWS SHOW PANEL NUT AND GASKET LOCATION FOR THE REAR PANEL MOUNTED VERSION.
- COUPLER LINES CROSSOVER BETWEEN POSTS.
- PANEL NUT AND PANEL GASKET ARE PACKAGED UNASSEMBLED IN POLYBAG.