

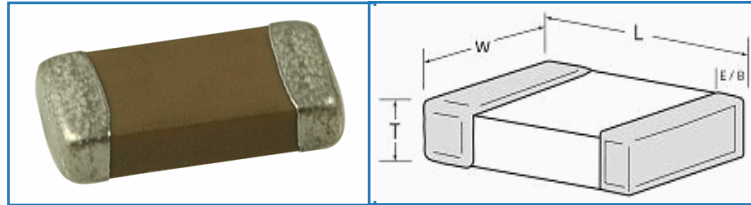
DATASHEET

C0805X7R250-104KNE



VENKEL LTD.

GENERAL PURPOSE CERAMIC CAPACITORS (C SERIES)
0805, X7R, 25V, 0.1uF, ±10%, 100% matte Tin(Sn) over Nickel



SIZE SPECIFICATIONS units: inches

Length:	0.080
Width:	0.050
T(max):	0.058
Min E/B:	.02 ± .01
Size(EIA):	0805

COMPONENT SPECIFICATIONS

Category:	Ceramic Capacitors
Series:	General Purpose (C Series)
Size:	0805
Dielectric:	X7R
Voltage:	25V
Capacitance:	0.1uF
Tolerance:	±10%
Termination:	100% matte Tin(Sn) over Nickel
Packaging:	E
Quantity per Reel:	4,000

DIELECTRIC SPECIFICATIONS

Temperature Coefficient:	0 ±15%Δ°C MAX
Temperature Voltage Coefficient	X7R not applicable
Ageing:	2.5% per decade hour, typical
Withstanding Voltage:	2.5 times VDCW
Operating Temp:	-55°C to +125°C
Dissipation Factor:	See C Series Datasheet

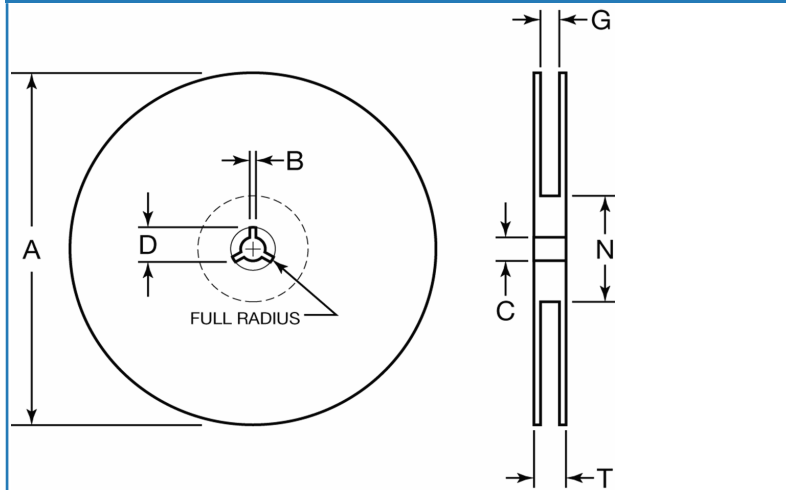
ENVIRONMENTAL INFORMATION

RoHS Status	6 of 6 Compliant
REACH Status	Compliant
Halogen Status	Halogen Free
Conflict Mineral Status	Conflict Mineral Free
Moisture Sensitivity Level	MSL1

REFLOW PROFILE

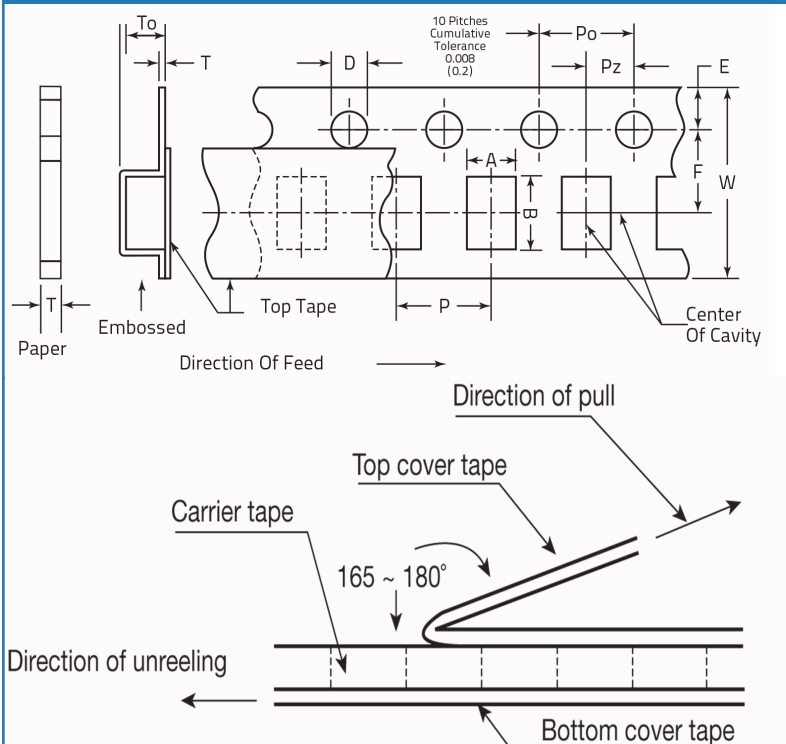
Max Reflow Temperature	260 °C
Number of Reflow Cycles	2
Time at Max Reflow Temp.	10 sec

REEL DIMENSIONS units: mm



Tape	B min	C	A(7")	A(13")	D Min	N Min	G	T max
8mm	0.30	13 ± .05	178 ± 2.0	330 ± 2.0	20.20	50.00	10 ± 1.5	14.90

TAPING SPECIFICATIONS units: mm



A	B	W	F	E	Po
1.48 ± 0.2	2.3 ± 0.2	8.0 ± 0.2	3.5 ± 0.1	1.75 ± 0.1	4.0 ± 0.1

Pz	D	T	P	To	T(E)
2.0 ± 0.05 - 0.0	1.5 ± 0.1		4.0 ± 0.1	2.5 MAX	0.6 MAX