

The C11152 series is a compact PC-board mountable high voltage power supply module, especially designed for photomultiplier tubes.

The C11152 and C11152-01 output negative polarity and the C11152-50 and C11152-51 output positive polarity high voltage.

FEATURES

- Low ripple / noise
- Compact and lightweight
- High stability
- High voltage monitor output
- Various protective and fail-safe functions



SPECIFICATIONS

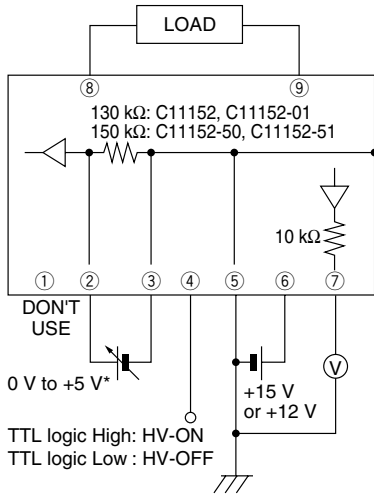
Parameter			C11152	C11152-01	C11152-50	C11152-51	Unit
Input voltage			+15 ± 1	+12 ± 0.5	+15 ± 1	+12 ± 0.5	V
Input current ^(A)	with no load	Typ.	45	50	45	50	mA
	with full load	Typ.	180	220	180	220	
Variable output voltage range			0 to -1500		0 to +1500		V
Specification guaranteed output voltage range			-240 to -1500		+240 to +1500		V
Output current		Max.	1				mA
Line regulation against ±1 V or ±0.5 V input change ^{(A)(B)}		Typ.	±0.01				%
Load regulation against 0 % to 100 % load change ^(A)		Typ.	±0.01				%
Ripple / noise (p-p) ^{(A)(B)}		Typ.	5 (>5 kHz), 8 (≤5 kHz)				mV
Output voltage control			By external controlling voltage (0 V to +5 V) or external potentiometer (50 kΩ)				—
Controlling voltage input impedance		Typ.	130		150		kΩ
Reference voltage output		Typ.	+5.2				V
Output voltage setting (absolute value)		Typ.	Controlling voltage × 300				V
Output voltage rise time (0 % → 99 %) ^{(A)(B)}		Typ.	120				ms
Temperature coefficient ^{(A)(B)}		Typ.	±0.005				% / °C
High voltage monitor output			0 to +5 (Output impedance 10 kΩ)				V
ON / OFF input			TTL positive logic				—
ON / OFF input impedance			30				kΩ
Operating ambient temperature ^{(A)(B)}			0 to +50				°C
Operating ambient humidity ^(C)			Below 80				%
Storage temperature			-20 to +60				°C
Storage humidity ^(C)			Below 80				%
Weight			38				g
Protective functions			Units protected against reversed power input, reversed / excessive controlling voltage input, continuous overloading / short circuit in output				—

^(A)At maximum output voltage. ^(B)At maximum output current. ^(C)No condensation

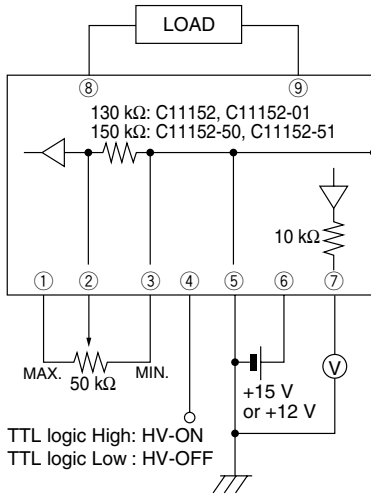
HIGH VOLTAGE POWER SUPPLY C11152

Figure 1: Connection diagrams

●OUTPUT VOLTAGE CONTROLLING BY EXTERNAL VOLTAGE



●OUTPUT VOLTAGE CONTROLLING BY EXTERNAL POTENTIOMETER



PIN ASSIGNMENT

- ① Vref +5.2 V Typ.
- ② Vcont
- ③ Vcont GND**
- ④ ON / OFF IN
- ⑤ GND**
- ⑥ Vcc +15 V or +12 V
- ⑦ HV MONITOR OUT
- ⑧ HV OUT
- ⑨ HV GND

* The instability in the external controlling voltage should be minimized as it directly affects the output voltage quality.

** Never connect the pin number 3 and 5 directly and externally.

TACCC0146EB

Figure 2: Output voltage controlling characteristics

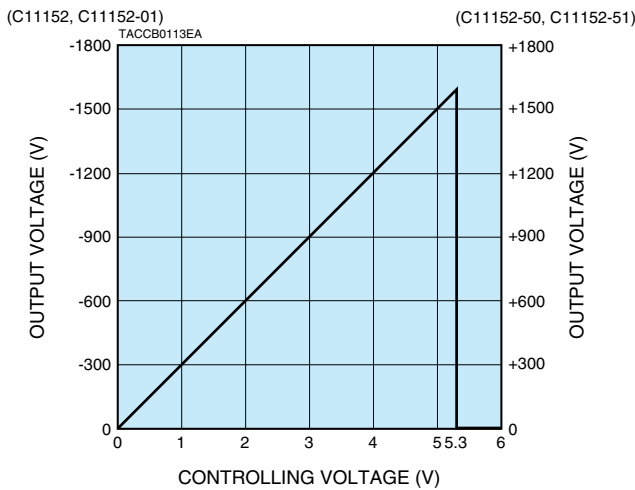


Figure 3: Overload characteristics

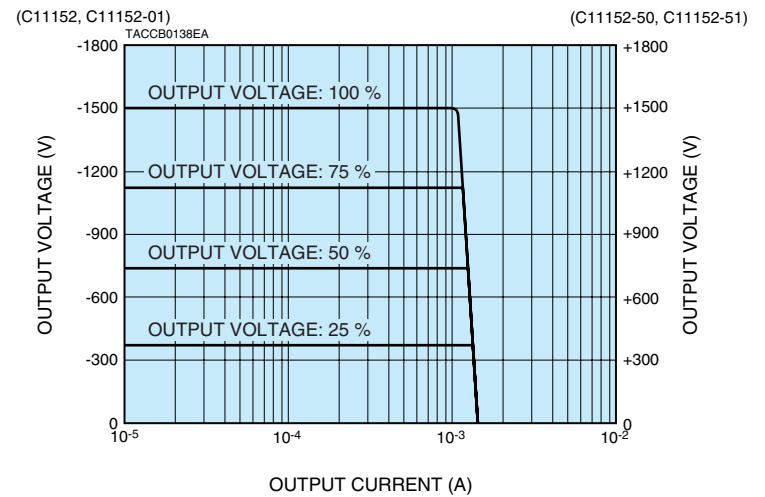
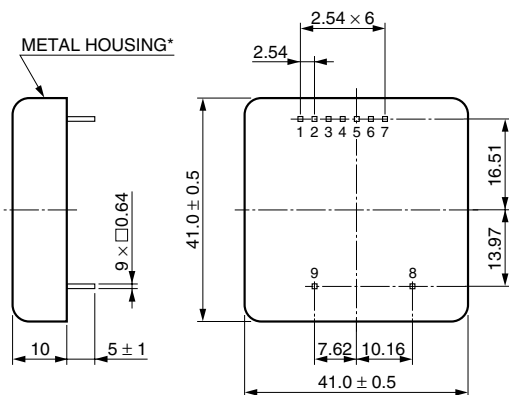


Figure 4: Dimensional outline (Unit: mm)



PIN ASSIGNMENT

- ① Vref +5.2 V Typ.
- ② Vcont
- ③ Vcont GND**
- ④ ON / OFF IN
- ⑤ GND**
- ⑥ Vcc +15 V or +12 V
- ⑦ HV MONITOR OUT
- ⑧ HV OUT
- ⑨ HV GND

* The metal housing is internally connected to the GND.

** Never connect the pin number 3 and 5 directly and externally.

TACCA0306EC

HAMAMATSU PHOTONICS K.K. www.hamamatsu.com

HAMAMATSU PHOTONICS K.K., Electron Tube Division

314-5, Shimokanzo, Iwata City, Shizuoka Pref., 438-0193, Japan, Telephone: (81)539/62-5248, Fax: (81)539/62-2205

U.S.A.: Hamamatsu Corporation: 360 Foothill Road, Bridgewater, N.J. 08807-0910, U.S.A., Telephone: (1)908-231-0960, Fax: (1)908-231-1218 E-mail: usa@hamamatsu.com

Germany: Hamamatsu Photonics Deutschland GmbH: Arzbergerstr. 10, D-82211 Herrsching am Ammersee, Germany, Telephone: (49)8152-375-0, Fax: (49)8152-2658 E-mail: info@hamamatsu.de

France: Hamamatsu Photonics France S.A.R.L.: 19, Rue du Saule Trapu, Parc du Moulin de Massy, 91882 Massy Cedex, France, Telephone: (33)1 69 53 71 00, Fax: (33)1 69 53 71 10 E-mail: infos@hamamatsu.fr

United Kingdom: Hamamatsu Photonics UK Limited: 2 Howard Court, 10 Tewin Road, Welwyn Garden City, Hertfordshire AL7 1BW, United Kingdom, Telephone: (44)1707-294888, Fax: (44)1707-325777 E-mail: info@hamamatsu.co.uk

North Europe: Hamamatsu Photonics Norden AB: Torshamnsgatan 35 SE-164 40 Kista, Sweden, Telephone: (46)8-509-031-00, Fax: (46)8-509-031-01 E-mail: info@hamamatsu.se

Italy: Hamamatsu Photonics Italia S.r.l.: Strada della Moia, 1 int. 6, 20020 Arese (Milano), Italy, Telephone: (39)02-93581733, Fax: (39)02-93581741 E-mail: info@hamamatsu.it

China: Hamamatsu Photonics (China) Co., Ltd.: B1201 Jiaming Center, No.27 Dongsanhuan Bellu, Chaoyang District, Beijing 100020, China, Telephone: (86)10-6586-6006, Fax: (86)10-6586-2866 E-mail: hpc@hamamatsu.com.cn

TACC1053E02
OCT. 2015. IP