

Specifications

Current rating: 2A AC,DC

Voltage rating: 125V AC,DC

Temperature range: -25°C ~ +85°C

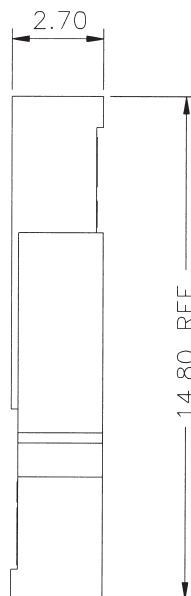
Contact resistance: 20mΩ Max.

Insulation resistance: 1000MΩ Min.

Withstanding voltage: 500V AC/minute

Contact H.R for details

Assembly layout





C2003 SERIES

2.00mm pitch wire to wire connector

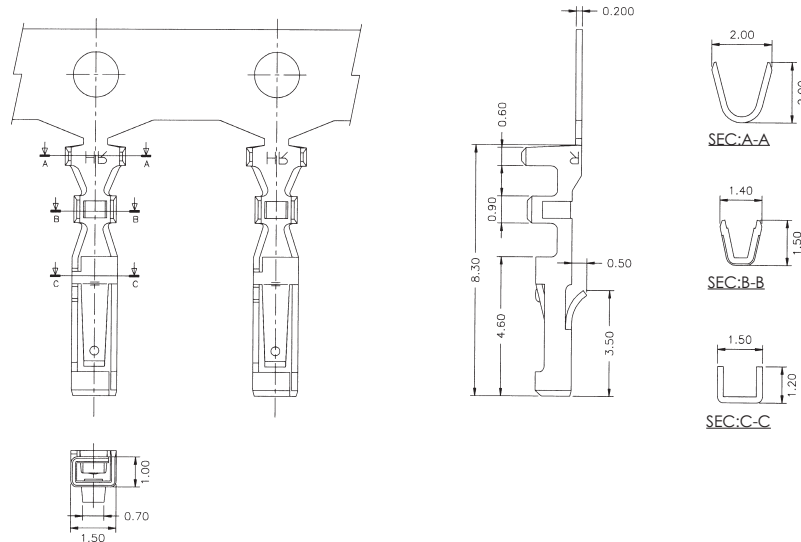


C2003F-T

2.00mm pitch Crimp Terminal

Reference Informations:

*Used in H.R C2003HF series Housing



Ordering Information & Specifications:

Unit:mm

Part No.	Wire Range	Insulation O.D.	Material	Finish	Qty/reel
C2003F-TBe	AWG#24-#28	1.15mm(max)	Brass	Tin-plated	10,000pcs

Note:e-Stamping before Tin-plated

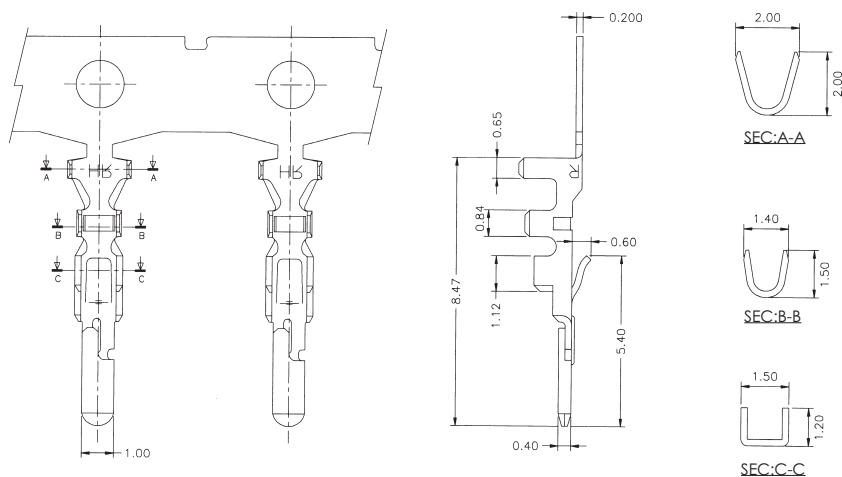


C2003M-T

2.00mm pitch Crimp Terminal

Reference Informations:

*Used in H.R C2003HM series Housing



Ordering Information & Specifications:

Unit:mm

Part No.	Wire Range	Insulation O.D.	Material	Finish	Qty/reel
C2003M-TBe	AWG#24-#28	1.15mm(max)	Brass	Tin-plated	10,000pcs

Note:e-Stamping before Tin-plated

A
B
C



C2003 SERIES

2.00mm pitch wire to wire connector

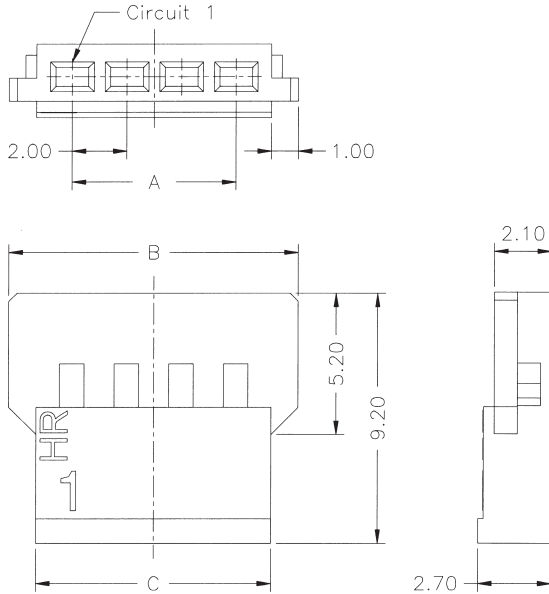
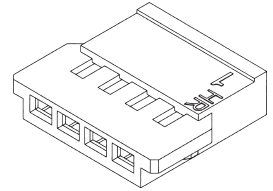


C2003HF

2.00mm pitch Housing

Reference Informations:

- *Material: Nylon 66,UL94V-0
- *Suitable H.R C2003F series Terminal
- *Mates with H.R C2003HM series Housing



Ordering Information & Dimensions:

PART NO.	Dimensions		
	A	B	C
C2003HF-2P	2.00	6.60	4.60
C2003HF-3P	4.00	8.60	6.60
C2003HF-4P	6.00	10.60	8.60
C2003HF-5P	8.00	12.60	10.60
C2003HF-6P	10.00	14.60	12.60
C2003HF-7P	12.00	16.60	14.60
C2003HF-8P	14.00	18.60	16.60
C2003HF-9P	16.00	20.60	18.60
C2003HF-10P	18.00	22.60	20.60
C2003HF-11P	20.00	24.60	22.60
C2003HF-13P	24.00	28.60	26.60

Unit:mm

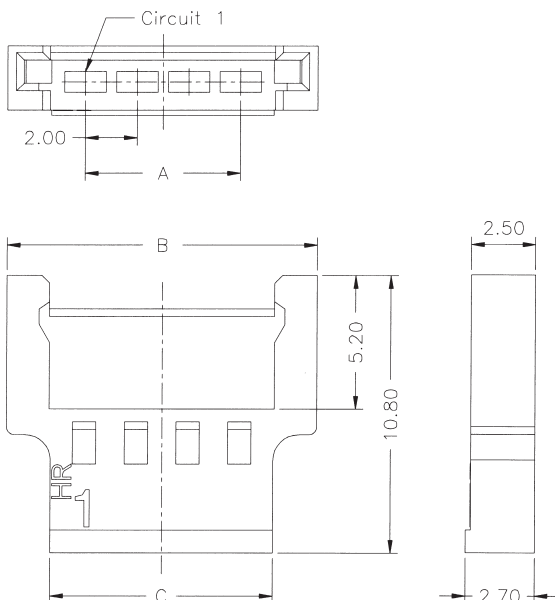
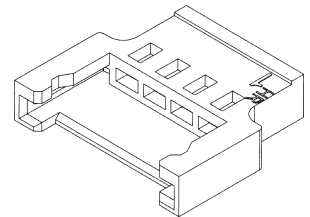


C2003HM

2.00mm pitch Housing

Reference Informations:

- *Material: Nylon 66,UL94V-0
- *Suitable H.R C2003M series Terminal
- *Mates with H.R C2003HF series Housing



Ordering Information & Dimensions:

PART NO.	Dimensions		
	A	B	C
C2003HM-2P	2.00	8.00	4.60
C2003HM-3P	4.00	10.00	6.60
C2003HM-4P	6.00	12.00	8.60
C2003HM-5P	8.00	14.00	10.60
C2003HM-6P	10.00	16.00	12.60
C2003HM-7P	12.00	18.00	14.60
C2003HM-8P	14.00	20.00	16.60
C2003HM-9P	16.00	22.00	18.60
C2003HM-10P	18.00	24.00	20.60
C2003HM-11P	20.00	26.00	22.60
C2003HM-13P	24.00	30.00	26.60

Unit:mm

