

Typical Applications

PCS Base Stations
 Land Mobile Radio
 Cellular Telephony
 Radio in the Local Loop

Features

EFC Standard
 Non hermetic
 Wide Frequency Range



Previous Vectron Model Numbers

TQDILTC; 979; 979W, 959; 959W, TC-400

Frequency range

10 MHz – 200 MHz

Standard frequencies

10, 19.44, 20.48, 38.88, 77.76MHz

Frequency stabilities¹

Parameter	Min	Typ	Max.	Units	Operating temp range	Ordering Code ⁵
vs. operating temperature range (Referenced to +25°C)	-2.0		+2.0	ppm	-40 ... +85°C	F206
	-1.0		+1.0	ppm	-40 ... +85°C	F106
	-2.0		+2.0	ppm	-20 ... +70°C	D206
	-1.0		+1.0	ppm	-20 ... +70°C	D106
	-1.0		+1.0	ppm	0 ... +50°C	B106
	-0.5		+0.5	ppm	0 ... +50°C	B507
Parameter	Min	Typ	Max.	Units	Condition	
Initial tolerance	- 1.0		+1.0	ppm	at time of shipment, nominal EFC	
vs. supply voltage change	- 0.2		+0.2	ppm	V _S ± 5%	
vs. load change	- 0.2		+0.2	ppm	Load ± 10%	
vs. aging		1		ppm/yr		

Supply voltage (Vs)

Parameter	Min	Typ	Max.	Units	Condition	Ordering Code ⁵
Supply voltage [Standard]	3.135	3.3	3.465	VDC		SV033
Supply voltage [Option]	4.75	5	5.25	VDC		SV050
Current consumption			15	mA	@ +25°C & 3.3VDC & clipped sinewave	
			50	mA	@ +25°C & 3.3VDC & CMOS	
			18	mA	@ +25°C & 5.0VDC & clipped sinewave	
			50	mA	@ +25°C & 5.0VDC & CMOS	

RF output

Parameter	Min	Typ	Max.	Units	Condition	Ordering Code ⁵
Signal [Standard]	HCMOS					RFH
Load	13.5	15	16.5	pF	with Vs= 5.0V and 15pF load with Vs=3.3V and 15pF load with Vs= 5.0V and 15pF load with Vs=3.3V and 15pF load	
Signal Level (Vol)			0.5	VDC		
Signal Level (Voh)	4.5		0.3	VDC		
Rise and Fall time	3.0			VDC		
Duty cycle	40	50	5	ns		
Signal [Option]	clipped Sinewave				@ (Voh-Vol)/2	RFC
Load R	9	10	11	kΩ	@ 10kΩ 10pF	
C	9	10	11	pF		
Output power	0.7			V _{pp}		

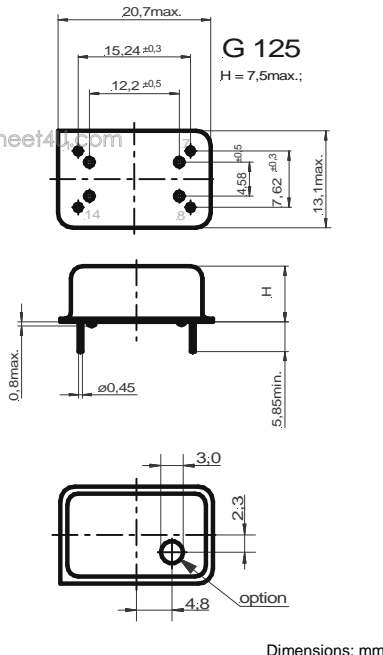
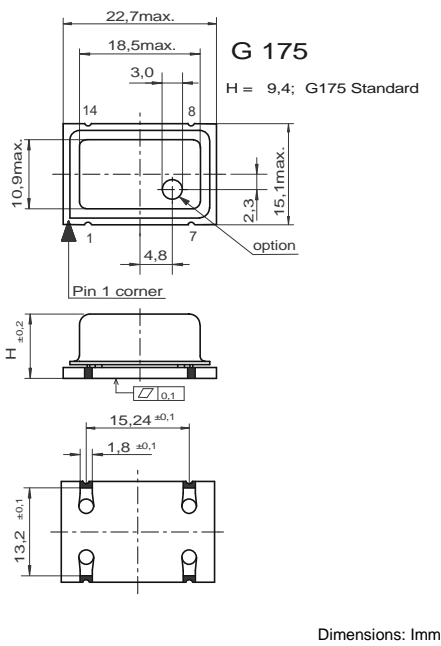
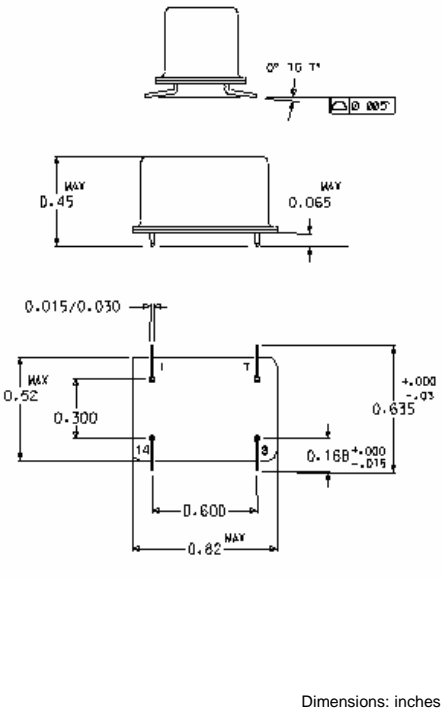
Frequency Tuning (EFC)

Parameter	Min	Typ	Max.	Units	Condition
Mechanical (No EFC)	± 3.0				
Tuning Range	± 8.0	±12.0	± 20.0	ppm	Standard Version
Linearity			10	%	
Tuning Slope	Positive				
Control Voltage Range	0.3	1.65	3.0	VDC	with Vs=3.3VDC
	0.5	2.5	4.5	VDC	with Vs=5.0VDC
Freq. control input impedance	10			kΩ	

Additional parameters

Parameter	Min	Typ	Max.	Units	Condition	
Phase Noise ³		-90		dBc/Hz	10 Hz	@40 MHz
		-120		dBc/Hz	100 Hz	
		-140		dBc/Hz	1 kHz	
		-150		dBc/Hz	10 kHz	
Weight			6	g		
Processing & Packing	Handling & processing note					

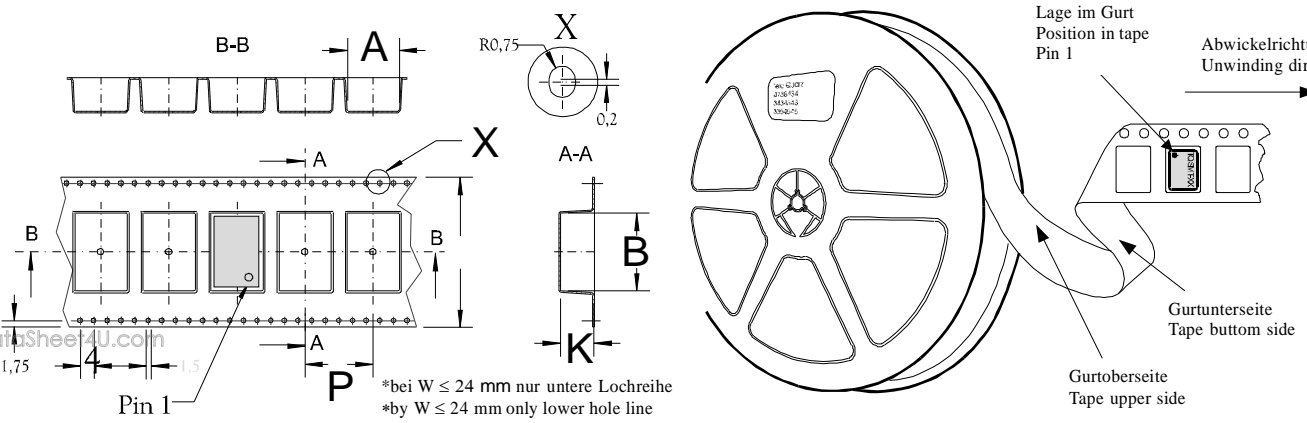
Enclosures

Type G125			Type G175			Type C		
Package Codes:								
Code	Height "H"	Pin Length "L"	Code	Height "H"	Pin Length "L"	Code	Height "H"	Pin Length "L"
A1	7.5	5.85	B1	9.4	NA	C1	0.45	NA
A2	8.0	5.85						
 <p>G 125 H = 7,5max.;</p> <p>Dimensions: mm</p>			 <p>G 175 H = 9,4; G175 Standard</p> <p>Dimensions: mm</p>			 <p>Dimensions: inches</p>		
<p>Pin Connections</p> <ul style="list-style-type: none"> 1 Electronic Frequency Control Input (EFC) 7 Ground (Case) 8 RF Output 14 Supply Voltage Input (Vs) <p>Outline Drawing: G125</p>			<p>Pin Connections</p> <ul style="list-style-type: none"> 1 Electronic Frequency Control Input (EFC) 7 Ground (Case) 8 RF Output 14 Supply Voltage Input (Vs) <p>Outline Drawing: G175</p>			<p>Pin Connections</p> <ul style="list-style-type: none"> 1 Electronic Frequency Control Input (EFC) 7 Ground (Case) 8 RF Output 14 Supply Voltage Input (Vs) <p>Outline Drawing: VD-XXXXX</p>		
<p>Marking</p> <p>C2410xx-xxxx Frequency * C AYYWW</p>								

Absolute Maximum Ratings

Parameter	Min	Typ	Max.	Units	Condition
Supply voltage (Vs)			6.0	V	
Control Voltage	0		Vs	V	
Maximum output load @ CMOS			50	pF	
Operable temperature range	-40		+85	°C	
Storage temperature range	-55		+125	°C	

Standard Shipping Method

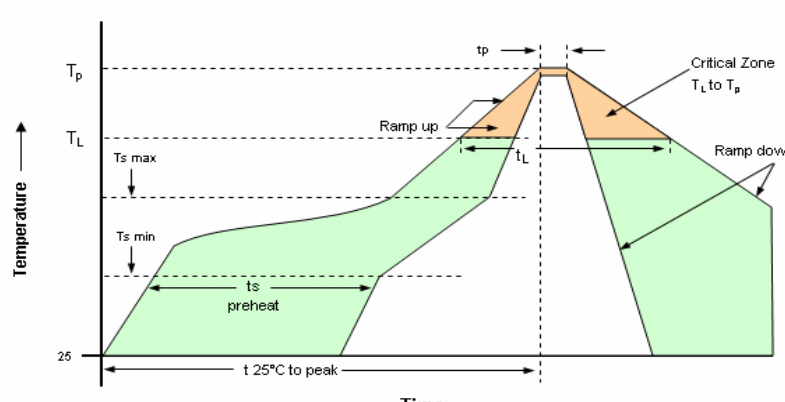


Production tolerance complying DIN IEC 286-3

Enclosure Type	Tape width W [mm]	Quantity per meter	Quantity per reel	Dimension P
G175	44	50	300	20

Recommended Reflow Profile

Solderprofile:



Profile Feature	Pb-Free Assembly /Sn-Pb Assembly	Profile Feature	Pb-Free Assembly /Sn-Pb Assembly
Average ramp-up rate (T _L to T _p)	3°C/second max.	Time 25°C to Peak Temperature	8 minutes max.
Preheat -Temperature Min T _{Smin} -Temperature Min T _{Smax} -Time (min to max) (t _s)	150°C 200°C 60-180 seconds	Time maintained above - Temperature (T _L) - Time (t _L)	217°C 60-150 seconds
T _{Smax} to T _L - Ramp-up Rate	3°C/second max.		
Time maintained above - Temperature (T _L) - Time (t _L)	217°C 60-150 seconds	Time within 5°C of actual Peak Temperature (t _p)	20-40 seconds
Peak Temperature (T _p)	max 260°C	Ramp-down Rate	6°C/second max.

Note: All temperatures refer to topside of the package, measured on the package body surface.

How to Order this Product:

Step 1	Use this worksheet to forward the following information to your factory representative:					
	Model	Stability Code	Supply Voltage Code	RF Output Code	Package Code	Frequency
	C2410					
<i>Example:</i>	C2410	D256	SV033	RFC	A1	20.48 MHz

Step 2	The factory representative will then respond with a Vectron Model Number in the following Configuration:			
	Model	Package Code	Dash	Dash Number
	C2410	[Customer Specified Package Code]	-	[Factory Generated 4 digit number]

Typical P/N = C2410A1-0001

Notes:

- 1 Contact factory for improved stabilities or additional product options. Not all options and codes are available at all frequencies.
- 2 Unless otherwise stated all values are valid after warm-up time and refer to typical conditions for supply voltage, frequency control voltage, load, temperature (25°C)
- 3 Phase noise degrades with increasing output frequency.
- 4 Subject to technical modification.
- 5 Contact factory for availability.