

C301/C321/C331/C511/C531/ES5431

OKI



User's Guide



PREFACE

Every effort has been made to ensure that the information in this document is complete, accurate, and up-to-date. The manufacturer assumes no responsibility for the results of errors beyond its control. The manufacturer also cannot guarantee that changes in software and equipment made by other manufacturers and referred to in this guide will not affect the applicability of the information in it. Mention of software products manufactured by other companies does not necessarily constitute endorsement by the manufacturer.

While all reasonable efforts have been made to make this document as accurate and helpful as possible, we make no warranty of any kind, expressed or implied, as to the accuracy or completeness of the information contained herein.

The most up-to-date drivers and manuals are available from:

<http://www.okiprintingsolutions.com>

<http://www.okiexecutiveseries.com>

Copyright © 2013. All rights reserved.

OKI is a registered trademark of Oki Electric Industry Co., Ltd.

Energy Star is a trademark of the United States Environmental Protection Agency.

Microsoft, MS-DOS and Windows are registered trademarks of Microsoft Corporation.

Apple, Macintosh, Mac and Mac OS are registered trademarks of Apple Inc.

Other product names and brand names are registered trademarks or trademarks of their proprietors.



As an Energy Star Program Participant, the manufacturer has determined that this product meets the Energy Star guidelines for energy efficiency.



This product complies with the requirements of the Council Directives 2004/108/EC (EMC), 2006/95/EC (LVD), 1999/5/EC (R&TTE), 2009/125/EC (ErP) and 2011/65/EU (RoHS), as amended where applicable, on the approximation of the laws of the member states relating to Electromagnetic Compatibility, Low Voltage, Radio & Telecommunications Terminal Equipment, Energy related Products and Restriction on the use of certain Hazardous Substances in electrical and electronic equipment.

The following cables were used to evaluate this product to achieve EMC directive 2004/108/EC compliance and configurations other than this may affect that compliance.

CABLE TYPE	LENGTH (METRE)	CORE	SHIELD
Power	1.8	x	x
USB	5.0	x	✓
LAN	7.0	x	x

EMERGENCY FIRST AID

Take care with toner powder:

If swallowed, give small amounts of cold water and seek medical attention. DO NOT attempt to induce vomiting.



If inhaled, move the person to an open area for fresh air. Seek medical attention.

If it gets into the eyes, flush with large amounts of water for at least 15 minutes keeping eyelids open. Seek medical attention.

Spillages should be treated with cold water and soap to help reduce risk of staining skin or clothing.

MANUFACTURER

Oki Data Corporation,
4-11-22 Shibaura, Minato-ku,
Tokyo 108-8551,
Japan

IMPORTER TO THE EU/AUTHORISED REPRESENTATIVE

Oki Europe Limited

Blays House
Wick Road
Egham
Surrey, TW20 0HJ
United Kingdom

For all sales, support and general enquiries contact your local distributor.

ENVIRONMENTAL INFORMATION



CONTENTS

Preface	2
Emergency first aid	3
Manufacturer	3
Importer to the EU/authorised representative	3
Environmental information	3
Contents	4
Notes, cautions and warnings	7
About this guide	8
Documentation suite	8
On-line usage	9
Printing pages	9
Getting Started	10
Overview	10
Front view	10
Rear view	11
Changing the display language	11
Switching on	11
Switching off	11
Energy saving settings	11
Sleep mode	12
Returning to standby mode	12
Paper recommendations	13
Cassette trays	13
Multi purpose tray	14
Face down stacker	14
Face up stacker	14
Duplex	14
Loading paper	15
Cassette trays	15
Multi purpose tray	18
Operation	19
C301 and C511	19
C321 and C331	19
C531/ES5431	19
Printing settings in Windows (C301 and C511 only)	20
Printing preferences in windows applications	20
Setup tab	20
Job options tab	21
Color tab	22
Setting from windows control panel	23
General tab	23
Advanced tab	23
Printing settings in Mac OS X (C301 and C511 only)	25
Setting printing options	25
Setting printing options - saving driver settings	25
Changing the default printer and paper size	26
Page setup options	26
Print options	27
Copies & pages	27
Layout	27
Paper handling	28
ColorSync	28

Cover page	29
Duplex	29
Paper source	29
Print quality	30
Color	30
Printer setup options	31
Printer options	31
Print control	32
Summary	32
Color printing (C301 and C511 only)	33
Factors that affect the appearance of prints	33
Tips for printing in color	34
Printing photographic images	34
Printing from Microsoft Office applications	34
Printing specific colors (e.g. a company logo)	34
Adjusting the brightness or intensity of a print	34
Accessing the color matching options	35
Setting the color matching options	35
Using the color swatch feature	36
Using the color correct utility	36
Menu functions	37
Operator panel	37
How to change the settings - user	39
How to change the settings - administrator	39
Menus	40
Print jobs menu - C531/ES5431 only	40
Information menu	41
Print menu	42
Media menu	44
Color menu	46
Sys config menu	47
PCL emulation	48
PPR emulation	49
FX emulation	50
USB menu	51
Network menu	51
Memory menu	53
Sys Adjust menu	54
Maintenance menu	54
Usage menu	55
Administrator Menu	57
Print statistics	63
Maintenance	64
Replacing consumable items	64
Toner cartridge replacement	64
Replacing the transfer belt unit	68
Fuser replacement	70
Cleaning	72
...the unit casing	72
...the LED head	72
Installing upgrades	73
Memory upgrade (C321, C331 and C531/ES5431 only)	73
SD card (C531/ES5431 only)	76
Additional paper tray	78
Setting the driver device options	79
Windows	79
Mac OS X	79

Troubleshooting	81
Major printer components and paper path81
Paper sensor error codes82
Clearing paper jams83
Dealing with unsatisfactory printing88
Specifications	90
Index	91
Oki contact details	92

NOTES, CAUTIONS AND WARNINGS

NOTE

A note provides additional information to supplement the main text.

CAUTION!

A caution provides additional information which, if ignored, may result in equipment malfunction or damage.

WARNING!

A warning provides additional information which, if ignored, may result in a risk of personal injury.

For the protection of your product, and in order to ensure that you benefit from its full functionality, this model has been designed to operate only with genuine original toner cartridges. Any other toner cartridge may not operate at all, even if it is described as "compatible", and if it does work, your product's performance and print quality may be degraded.

Use of non-genuine products may invalidate your warranty.

Specifications subject to change without notice. All trademarks acknowledged.

ABOUT THIS GUIDE

NOTE

Images used in this manual may include optional features that your product does not have installed.

DOCUMENTATION SUITE

This guide is part of a suite of online and printed documentation provided to help you become familiar with your product and to make the best use of its many powerful features. The documentation is summarised below for reference and is found on the manuals DVD unless indicated otherwise:

- > **Installation Safety booklet:** provides information for safe use of your product.
This is a paper document that is packaged with the product and should be read before setting up your machine.
- > **Set-up guide:** describes how to unpack, connect and turn on your product.
This is a paper document that is packaged with the product.
- > **User's Guide:** helps you become familiar with your product and make the best use of its many features. Also included are guidelines for troubleshooting and maintenance to ensure that it performs at its best. Additionally, information is provided for adding optional accessories as your printing needs evolve.
- > **Network Guide:** helps you become familiar with the functionality of the built in network interface card.
- > **Printing Guide¹:** helps you become familiar with the many features of the driver software supplied with your product.
- > **Barcode Printing Guide¹:** helps you become familiar with your product's built in barcode printing feature.
- > **Security Guide²:** helps you become familiar with your product's security features.
- > **Installation Guides:** accompany consumable items and optional accessories to describe how to install them.
These are paper documents that are packaged with the consumables and optional accessories.
- > **On-line Help:** on-line information accessible from the printer driver and utility software.


1. C321, C331 and C531/ES5431 only.

2. C531/ES5431 only.

ON-LINE USAGE

This guide is intended to be read on screen using Adobe Reader. Use the navigation and viewing tools provided in Adobe Reader.

There are many cross-references within this book, each highlighted as [blue text](#). When you click on a cross-reference the display will instantly jump to the part of the manual containing the referenced material.

By using the  button in Adobe Reader, you can navigate directly back to where you were before.

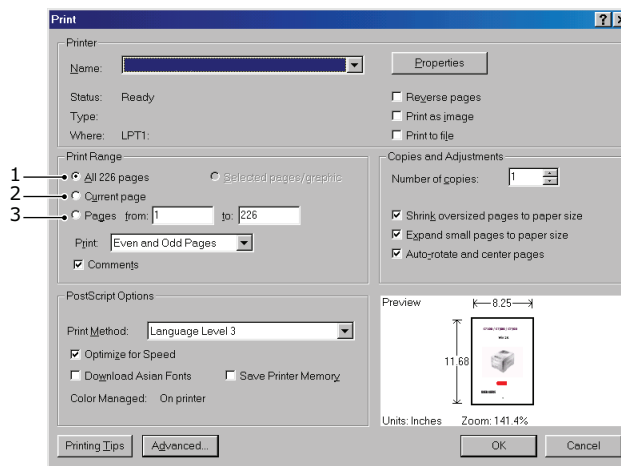
You can access specific information in two ways:

- > In the list of bookmarks down the left hand side of your screen, click on the topic of interest to jump to the required topic. (If the bookmarks are not available, use the ["Contents" on page 4.](#))
- > In the list of bookmarks, click on Index to jump to the Index. (If the bookmarks are not available, use the ["Contents" on page 4.](#)) Find the term of interest in the alphabetically arranged index and click on the associated page number to jump to the page containing the term.

PRINTING PAGES

The whole manual, individual pages, or sections may be printed. The procedure is:

1. From the toolbar, select **File > Print** (or press the **Ctrl + P** keys).
2. Choose which pages you wish to print:
 - (a) **All pages**, (1), for the entire manual.
 - (b) **Current page**, (2), for the page at which you are looking.

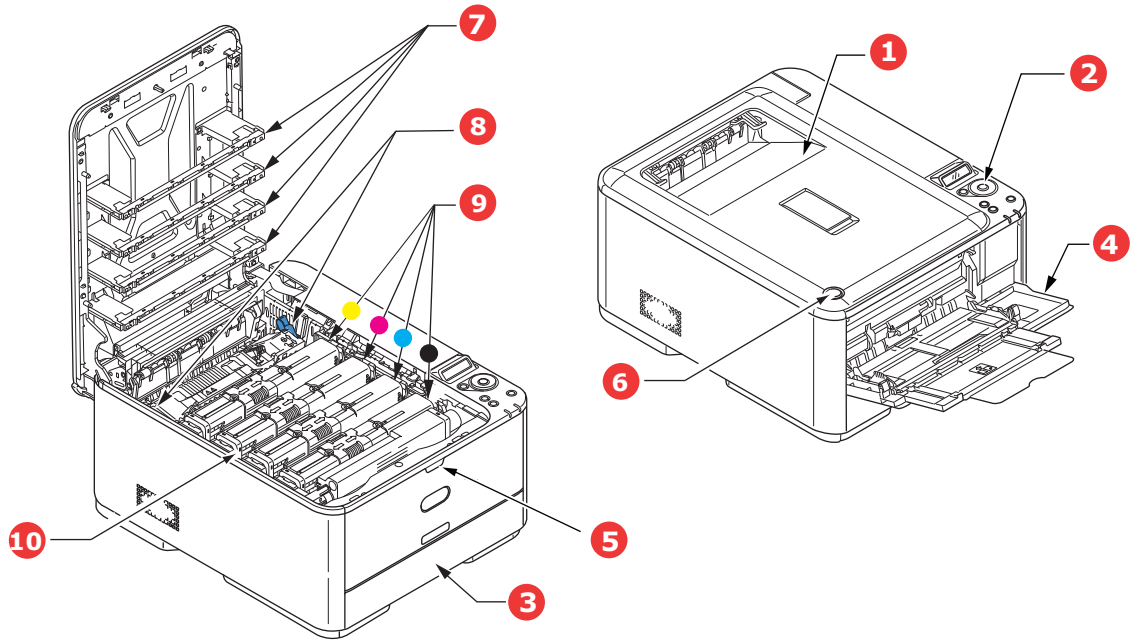


- (c) **Pages from and to**, (3), for the range of pages you specify by entering their page numbers.
- (d) Click **OK**.

GETTING STARTED

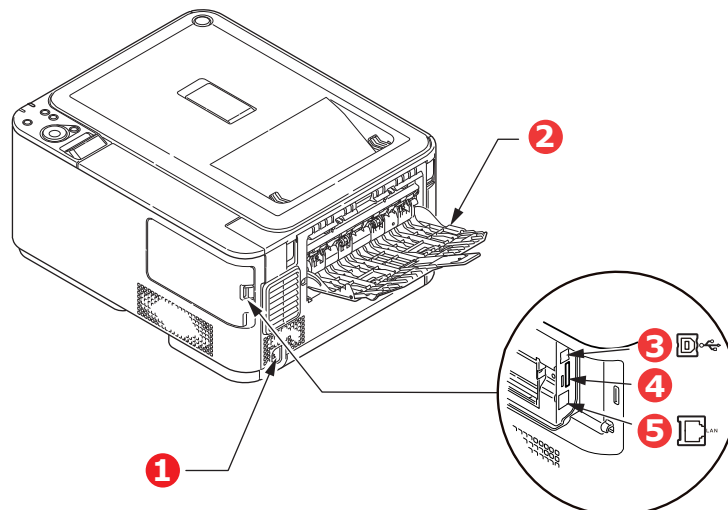
OVERVIEW

FRONT VIEW



1. Output stacker, face down.
Standard printed copy delivery point. Holds up to 150 sheets at 80g/m².
2. Operator panel.
Menu driven operator controls and LCD panel².
3. Paper tray.
Standard paper tray. Holds up to 250 sheets of 80g/m² paper.
4. Multi purpose tray.
Used for feeding heavier paper stocks, envelopes and other special media. Also for manual feeding of single sheets when required.
 - a. The display language can be changed to show different languages. (see ["Changing the display language"](#) on page 11).
5. Multi-purpose tray release recess.
6. Top cover release button.
7. LED heads.
8. Fuser release levers.
9. Toner cartridges (C,M,Y,K).
10. ID unit.

REAR VIEW



1. AC power socket.
2. Rear, face up stacker.
3. USB interface.
4. SD card slot (C531/ES5431 only).
5. Network interface.^a

a. The Network Interface may have a protective "plug" which must be removed before connection can be made.

When the rear paper stacker is folded down paper exits the printer through the rear of the printer and is stacked here face up. This is mainly used for heavy print media. When used in conjunction with the multi purpose feed tray, the paper path through the printer is essentially straight. This avoids bending the paper around curves in the paper path and enables feeding of up to 220g/m² media.

CHANGING THE DISPLAY LANGUAGE

The default language used by your machine for display messages is English. If required, this can be changed using the Panel Language Set-up utility.

SWITCHING ON

1. Plug the power cable into the power socket of your machine.
2. Plug the power cable into the electric socket.
3. Press the power switch ON. Switching off

SWITCHING OFF

Hold down the power switch for approximately one second.

NOTE

A message displays on the LCD screen and power switch indicator blinks, then the printer switches OFF automatically.

ENERGY SAVING SETTINGS

POWER SAVING MODE

If you do not use the machine for a while, it will enter the power saving mode to control the power consumption of the device. To cancel or initiate power saving mode, press the

Power Save button on the control panel. The **Power Save** button illuminates while in Power Save Mode.

NOTE

*By default, the time interval to enter power saving mode is set to 30 minutes. You can change the time interval by pressing the **Setting** button on the control panel. Then select **Sys Config Menu > Power Save Time**.*

SLEEP MODE

Your machine transitions from power saving mode to sleep mode after a set period of time. In sleep mode the power consumption of the device is minimal. The **Power Save** button blinks while in sleep mode.

NOTE

- > The machine will not enter sleep mode if an error occurs and the machine requires attention.*
 - > By default, the time interval to enter sleep mode is set to 10 minutes. You can change the time interval by pressing the **Setting** button on the control panel. Then select **Sys Config Menu > Sleep Time**.*
 - > It will automatically switch from Sleep Mode to Power Save Mode. In a network environment with a large number of packets flows, your computer may respond by automatically switching from Sleep mode to Power Save Mode. After a period of time has elapsed, the computer will automatically enter into Sleep Mode.*
-

RETURNING TO STANDBY MODE

To return the machine to standby mode from power save or sleep mode, press the **Power Save** button on the control panel.

NOTE

When your machine receives a print job, it automatically returns to standby mode.

PAPER RECOMMENDATIONS

Your printer will handle a variety of print media, including a range of paper weights and sizes, labels and envelopes. This section provides general advice on choice of media, and explains how to use each type.

The best performance will be obtained when using standard 75~90g/m² paper designed for use in copiers and laser printers.

Use of heavily embossed or very rough textured paper is not recommended.

Pre-printed stationery can be used, but the ink must not offset when exposed to the high fuser temperatures used in the printing process.

Envelopes

CAUTION!

Envelopes should be free from twist, curl or other deformations. They should also be of the rectangular flap type, with glue that remains intact when subjected to hot roll pressure fusing used in this type of printer. Window envelopes are not suitable.

Labels

CAUTION!

Labels should also be of the type recommended for use in copiers and laser printers, in which the base carrier page is entirely covered by labels. Other types of label stock may damage the printer due to the labels peeling off during the printing process.

CASSETTE TRAYS

SIZE	DIMENSIONS	WEIGHT (G/M ²)	
A6 ^a	105 x 148mm	Light	64 - 74g/m ²
A5	148 x 210mm	Medium Light	75 - 82g/m ²
B5	182 x 257mm	Medium	83 - 104g/m ²
Executive	184.2 x 266.7mm	Heavy	105 - 120g/m ²
A4	210 x 297mm	Ultra heavy1	121 - 176g/m ²
Letter	215.9 x 279.4mm	Ultra heavy2	177 - 220g/m ²
Legal 13in.	216 x 330mm	Tray 1/2:	64 - 176g/m ²
Legal 13.5in.	216 x 343mm	MP Tray:	64 - 220g/m ²
Legal 14in.	216 x 356mm	Duplex:	64 - 176g/m ²

a. A6 printing from Tray 1 or the MP Tray only.

If you have identical paper stock loaded in another tray (2nd tray if you have one, or multi purpose tray) you have the printer automatically switch to the other tray when the current tray runs out of paper. When printing from Windows applications, this function is enabled in the driver settings. When printing from other systems, this function is enabled in the Print Menu. (See ["AUTO TRAY SWITCH" on page 42.](#))

MULTI PURPOSE TRAY

The multi purpose tray can handle the same sizes as the cassette trays but in weights up to 220g/m². For very heavy paper stock use the face up (rear) paper stacker. This ensures that the paper path through the printer is almost straight.

The multi purpose tray can feed paper widths from 76mm to 215.9mm and lengths from 127.0mm to 1320mm (banner printing).

For paper lengths exceeding 356mm (Legal 14in.) use paper stock between 90g/m² and 128g/m² and the face up (rear) paper stacker.

Use the multi purpose tray for printing on envelopes. Up to 10 envelopes can be loaded at one time, subject to a maximum stacking depth of 10mm.

FACE DOWN STACKER

The face down stacker on the top of the printer can hold up to 150 sheets of 80g/m² standard paper, and can handle paper stocks up to 176g/m².

Pages printed in reading order (page 1 first) will be sorted in reading order (last page on top, facing down).

The number of sheets that can be stacked on the face down stacker may vary depending on environment.

FACE UP STACKER

The face up stacker at the rear of the printer should be opened and the tray extension pulled out when required for use. In this condition paper will exit via this path, regardless of driver settings.

The face up stacker can hold up to 100 sheets of 80g/m² standard paper, and can handle stocks up to 220g/m².

Always use this stacker and the multi purpose feeder for paper stocks heavier than 176g/m².

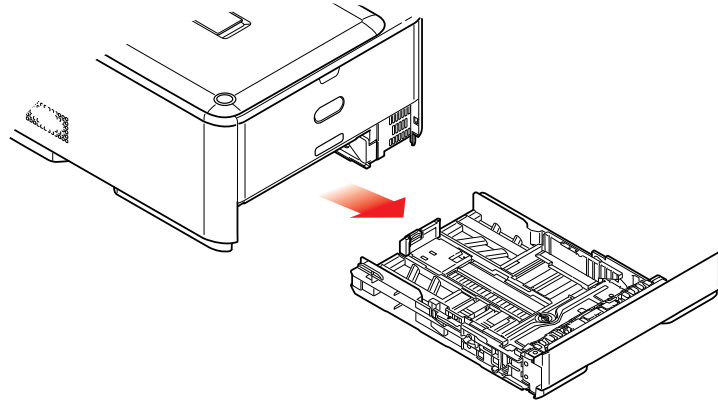
DUPLEX

Automatic two-sided printing on the same range of paper sizes as tray 2 (i.e. all cassette sizes except A6), using paper stocks from 64 - 176g/m².

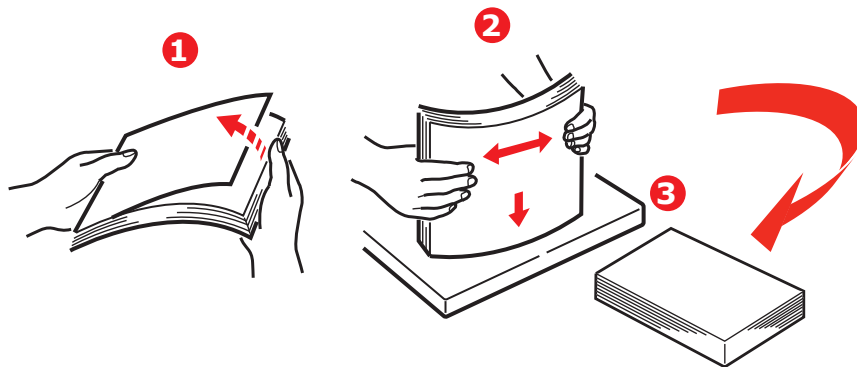
LOADING PAPER

CASSETTE TRAYS

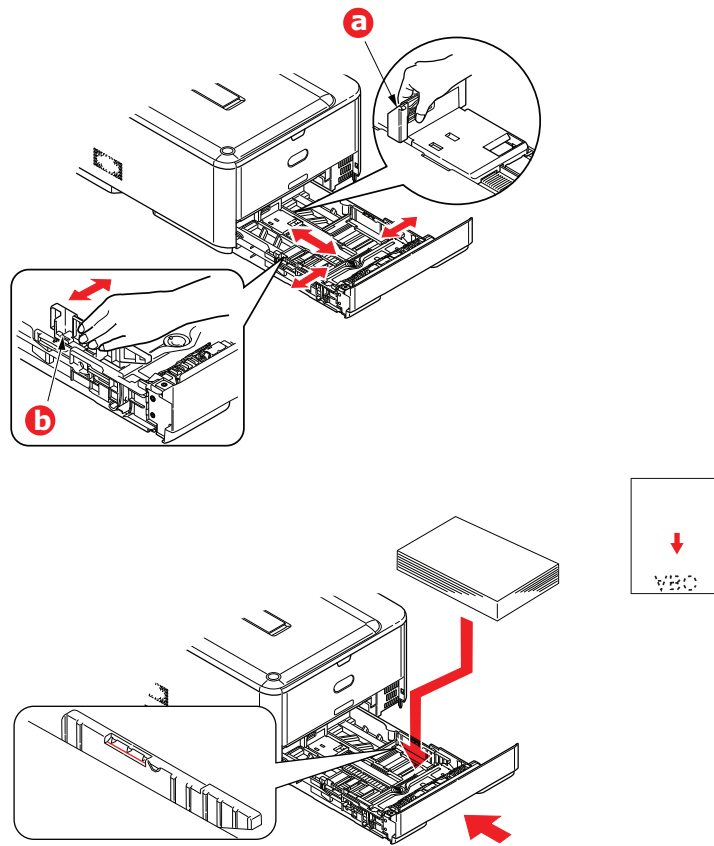
1. Remove the paper tray from the printer.



2. Fan the paper to be loaded at the edges (1) and in the middle (2) to ensure that all sheets are properly separated, then tap the edges of the stack on a flat surface to make it flush again (3).



- 3.** Load paper (letter headed paper face down and top edge towards the front of the printer), as shown.



- 4.** Adjust the rear stopper (a) and paper guides (b) to the size of paper being used.
5. Close the paper tray gently.

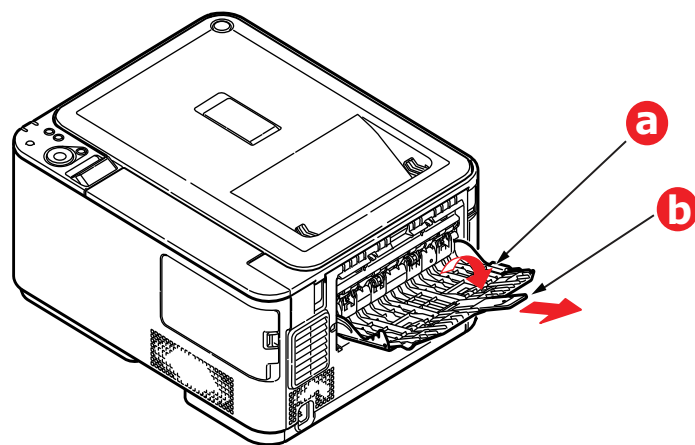
To prevent paper jams:

- > Do not leave space between the paper and the guides and rear stopper.
- > Do not overfill the paper tray. Capacity depends on the type of paper stock.
- > Do not load damaged paper.
- > Do not load paper of different sizes or types at the same time.
- > Close the paper tray gently.

- > Do not pull the paper tray out during printing (except as described below for the 2nd tray).

NOTE

- > If you have two trays and you are printing from the 1st (upper) tray, you can pull out the 2nd (lower) tray during printing to reload it. However, if you are printing from the 2nd (lower) tray, do not pull out the 1st (upper) tray. This will cause a paper jam.
- > For face down printing, make sure the face up (rear) stacker (a) is closed (the paper exits from the top of the printer). Stacking capacity is approximately 150 sheets, depending on paper weight.
- > For face up printing, make sure the face up (rear) stacker (a) is open and the paper support (b) is extended. Paper is stacked in reverse order and tray capacity is approximately 100 sheets, depending on paper weight.
- > Always use the face up (rear) stacker for heavy paper (card stock, etc.).

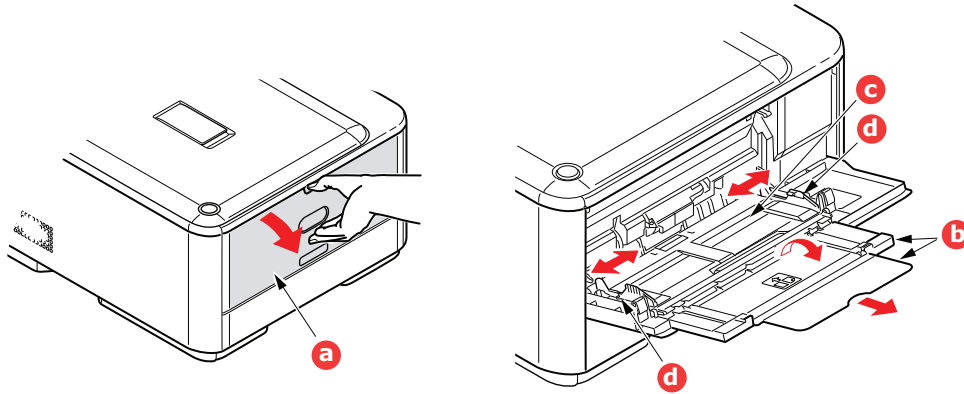


CAUTION!

Do not open or close the rear paper exit while printing as it may result in a paper jam.

MULTI PURPOSE TRAY

1. Open the multi purpose tray (a).
2. Fold out the paper supports (b).



3. Press gently down on the paper platform (c) to ensure it is latched down.
4. Load the paper and adjust the paper guides (d) to the size of paper being used.
 - > For single-sided printing on headed paper load the paper into the multi purpose tray with pre-printed side up and top edge into the printer.
 - > For two-sided (duplex) printing on headed paper load the paper with pre-printed side down and top edge away from the printer.
 - > Envelopes should be loaded face up with top edge to the left and short edge into the printer. Do not select duplex printing on envelopes.
 - > Do not exceed the paper capacity of about 100 sheets or 10 envelopes. Maximum stacking depth is 10mm.
5. Press the tray latch button inwards to release the paper platform, so that the paper is lifted and gripped in place.
6. Set the correct paper size for the multi purpose tray in the Media Menu (see "[Media menu](#)" on page 44).

OPERATION

C301 AND C511

For full details of how to use the machine and any optional accessories to print jobs efficiently and effectively, please refer to the following chapters:

- > ["Printing settings in Windows \(C301 and C511 only\)" on page 20](#)
- > ["Printing settings in Mac OS X \(C301 and C511 only\)" on page 25](#)
- > ["Color printing \(C301 and C511 only\)" on page 33](#)

C321 AND C331

For full details of how to use the machine and any optional accessories to print jobs efficiently and effectively, please refer to the Printing Guide and the Barcode Guide.

C531/ES5431

For full details of how to use the machine and any optional accessories to print jobs efficiently and effectively, please refer to the Printing Guide and the Barcode Guide.

For full details of how to access and use the printer security features, please refer to the Security Guide.

PRINTING SETTINGS IN WINDOWS (C301 AND C511 ONLY)

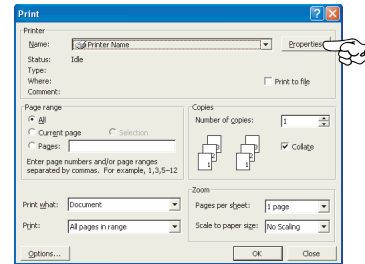
Your printer's operator panel menus provide access to many options.

The Windows printer driver also contains settings for many of these items. Where items in the printer driver are the same as those in the operator panel menus, and you print documents from Windows, the settings in the Windows printer driver will override those items in the operator panel menus.

The illustrations in this chapter show Windows XP. Other Windows versions may appear slightly different, but the principles are the same.

PRINTING PREFERENCES IN WINDOWS APPLICATIONS

When you choose to print your document from a Windows application program a print dialogue box appears. This dialogue usually specifies the name of the printer on which you will print your document. Next to the printer name is a **Properties** button.

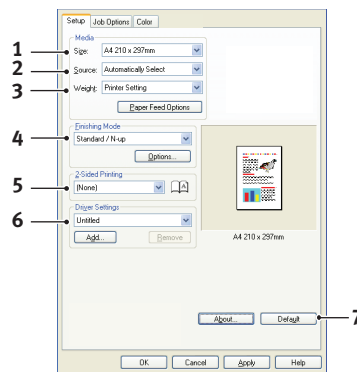


When you click **Properties** a new window opens which contains a short list of the printer settings available in the driver, which you can choose for this document.

The settings available from within your application are only those which you may want to change for specific applications or documents. Settings you change here will usually only last for as long as the particular application program is running.

SETUP TAB

When you click the **Properties** button from your application's Print dialogue, the driver window opens to allow you to specify your printing preferences for the current document.

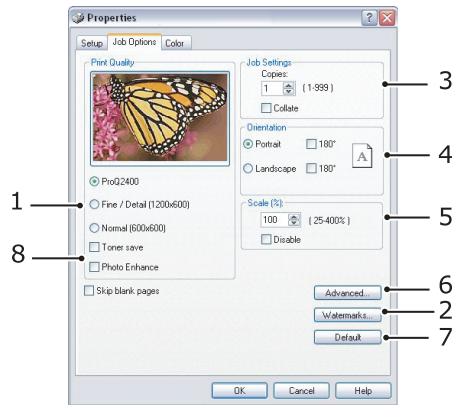


1. Paper size should be the same as the page size of your document (unless you wish to scale the printout to fit another size), and should also be the same as the size of paper you will feed into the printer.
2. You can choose the source of the paper to feed, which may be Tray 1 (the standard paper tray) or the multi purpose feeder. You can also click on the appropriate part of the screen graphic to select your preferred tray.
3. The setting for paper weight should match the type of paper on which you intend to print.
4. A variety of document finishing options can be selected, such as normal one page per sheet, or N-up (where N can be any number up to 16) for printing scaled down pages at more than one page per sheet. Booklet printing prints two pages per sheet on each side of the paper so that when folded they make up a booklet.

Poster printing will print large pages as tiles spread over multiple sheets.

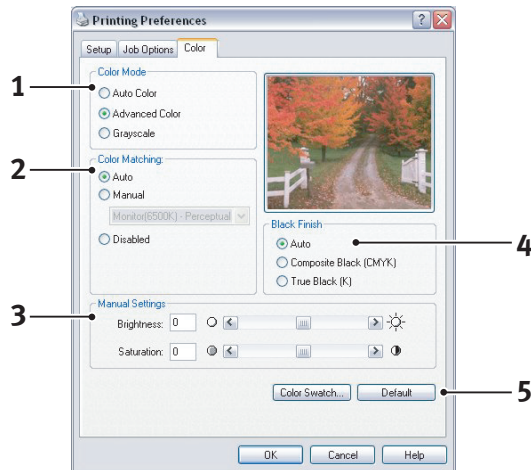
5. For two-sided printing, you can choose to flip the page by the long edge or the short edge.
6. If you have changed some printing preferences before and saved them as a set, you can recall them to avoid having to set them individually each time you need them.
7. A single on-screen button restores the default settings.

JOB OPTIONS TAB



1. The output resolution of the printed page can be set as follows.
 - > The ProQ2400 setting prints at 600 x 600dpi x 2 bit. This option requires the most printer memory and takes the longest to print.
 - > The Fine/Detail setting prints at 1200 x 600dpi and is adequate for all but the most discerning applications.
 - > The Normal setting prints at 600 x 600dpi and is suitable for most draft documents, where print quality is less critical.
2. You can print watermark text behind the main page image. This is useful for marking documents as draft, confidential, etc.
3. You can select up to 999 copies to print consecutively, although you will need to top up the paper tray during such a long print run.
4. Page orientation can be set to either portrait (tall) or landscape (wide).
5. You printed pages can be scaled to fit larger or smaller stationery.
6. Clicking the **Advanced** button gives you access to further settings. For example, you can elect to have black areas printed using 100%K toner (a more matte appearance).
7. A single on-screen button restores the default settings.
8. The quality of photographic images can be improved.

COLOR TAB

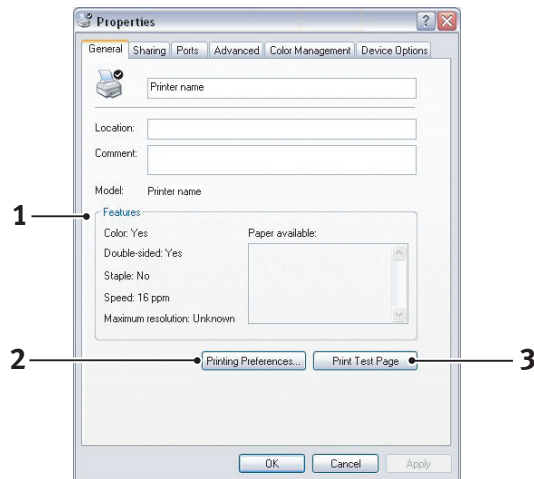


1. Control over the color output of your printer may be performed automatically, or for advanced control, by manual adjustment. The automatic setting will be appropriate in most cases. The other options in this window only become visible when you select a choice other than **Auto**.
2. You can choose from a range of color matching options, depending on the image source for your document. For example, a photograph taken on a digital camera might require different color matching to a business graphic created in a spreadsheet application. Again, for most general purpose use, automatic is the best choice.
3. Printed output may be made lighter or darker, or the colors made more saturated and vibrant as required.
4. Black areas may be printed using cyan, magenta and yellow (composite black), giving a more glossy appearance, or using only black toner (true black), giving a more matte appearance. Choosing the automatic setting allows the driver to make the most appropriate choice depending on image content.
5. A single on-screen button restores the default settings.

SETTING FROM WINDOWS CONTROL PANEL

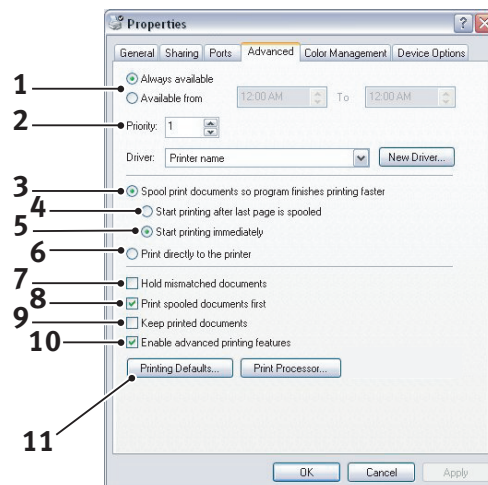
When you open the driver properties window directly from Windows, rather than from within an application program, a somewhat more extensive range of settings is provided. Changes made here will generally affect all documents you print from Windows applications, and will be remembered from one Windows session to the next.

GENERAL TAB



1. This area lists some of the main features of your printer.
2. This button opens the same windows as described earlier for items which can be set from within application programs. Changes you make here, however, will become the new default settings for all Windows applications.
3. This button prints a test page to ensure that your printer is working.

ADVANCED TAB



1. You can specify which times of day your printer will be available.
2. Indicates current priority, from 1 (lowest) to 99 (highest). Highest priority documents will print first.
3. Specifies that documents should be spooled (stored in a special print file) before being printed. The document is then printed in the background, allowing your application program to become available more quickly.
4. This specifies that printing should not start until the last page has been spooled. If your application program needs a lot of time for further computation in the middle of

printing, causing the print job to pause for more than a short period, the printer could prematurely assume that the document has finished. Selecting this option would prevent that situation, but printing will be completed a little later, as the start is delayed.

- 5.** This is the opposite choice to the one above. Printing starts as soon as possible after the document begins spooling.
- 6.** This specifies that the document should not be spooled, but printed directly. Your application will not normally be ready for further use until the print job is complete. This requires less disk space on your computer, since there is no pool file.
- 7.** Directs the spooler to check the document setup and match it to the printer setup before sending the document to print. If a mismatch is detected, the document is held in the print queue and does not print until the printer setup is changed and the document restarted from the print queue. Mismatched documents in the queue will not prevent correctly matched documents from printing.
- 8.** Specifies that the spooler should favour documents which have completed spooling when deciding which document to print next, even if completed documents are lower priority than documents which are still spooling. If no documents have completed spooling, the spooler will favour larger spooling documents over shorter ones. Use this option if you want to maximise printer efficiency. When this option is disabled the spooler chooses documents based only on their priority settings.
- 9.** Specifies that the spooler should not delete documents after they are completed. This allows documents to be re submitted to the printer from the spooler instead of printing again from the application program. If you use this option frequently it will require large amounts of disk space on your computer.
- 10.** Specifies whether advanced features, such as booklet printing, page order and pages per sheet, are available, depending on your printer. For normal printing keep this option enabled. If compatibility problems occur you can disable the feature. However, these advanced options may then not be available, even though the hardware might support them.
- 11.** This button provides access to the same setup windows as when printing from applications. Changes made via the Windows Control Panel become the Windows default settings.

PRINTING SETTINGS IN MAC OS X (C301 AND C511 ONLY)

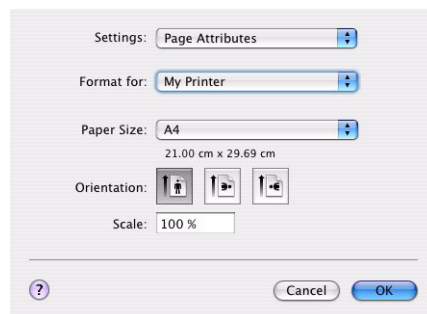
The information in this section is based on Mac OS X Tiger (10.4). Other versions may appear slightly different, but the principles are the same.

SETTING PRINTING OPTIONS

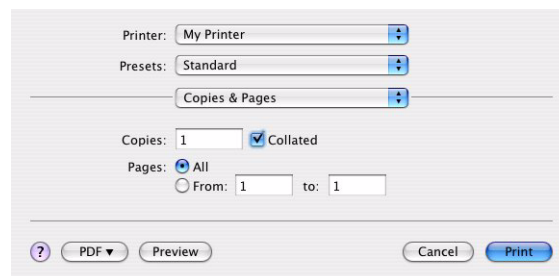
You can choose your printer and select options for how you want your documents to print from the Print dialog box.

To set your printer options:

1. Open the document you want to print.
2. To change the paper size or page orientation, select **File > Page Setup**. For a description of each option, see ["Page setup options" on page 26](#).



3. Close the Page Setup dialog box.
4. Select **File > Print**.
5. Select your printer from the Printer drop-down menu.
6. To change any printer driver settings, select the required options from the Settings drop-down menu. You can select more options from the Copies & Pages menu. For a description of these options, see ["Print options" on page 27](#).



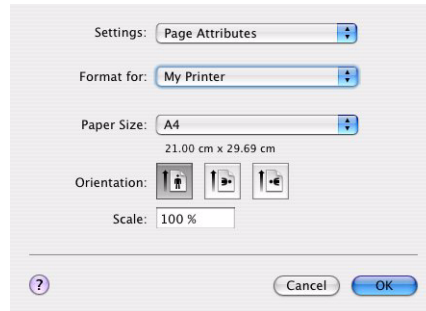
7. Click the **Print** button.

SETTING PRINTING OPTIONS - SAVING DRIVER SETTINGS

You can save a set of printer driver options to use for future documents.

1. Open the document you want to print.

2. To change the paper size or page orientation, select **File > Page Setup**.



3. Select **Save As Default** from the Settings drop-down menu.
4. Select **File > Print**.
5. To save the current printer driver settings as a preset, select **Save As** from the Preset menu.
6. Enter a name for your preset and click **OK**.

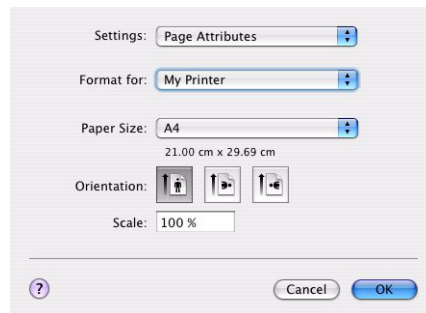
CHANGING THE DEFAULT PRINTER AND PAPER SIZE

The following steps describe how to change your default printer and the paper size options.

1. Select **Apple menu > System Preferences**.
2. Click the **Print & Fax** icon.
3. Select your printer in the **Selected Printer** in Print Dialog drop-down menu.
4. Select your required paper size in the **Default Size** in Page Setup drop-down menu.

PAGE SETUP OPTIONS

This section provides a description of the page setup options available to you.



Page Attributes

You can select **Save As Default** to use the current Page Setup settings as a standard for all documents.

Format for

Allows you to select your printer model before changing options such as Paper size and Orientation.

Paper Size

Select a paper size to match your document and the paper loaded in the printer. The paper margin is 4.2mm at all edges. To specify your own paper sizes, select **Manage Custom Sizes...**

Scale

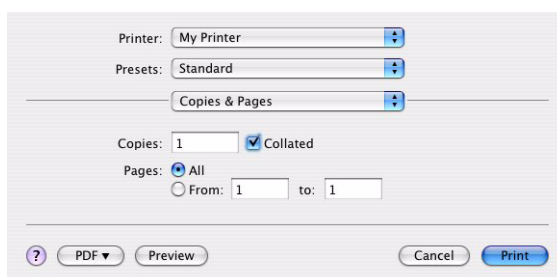
You can scale documents up or down to fit onto different paper sizes. To fit your document on a specific paper size, select **Options** in the **Paper Handling** drop-down menu in the **Print Options** dialog box (see ["Print options" on page 27](#)).

Orientation

You can select a portrait or landscape option. When using landscape, you can rotate the document 180 degrees.

PRINT OPTIONS

COPIES & PAGES



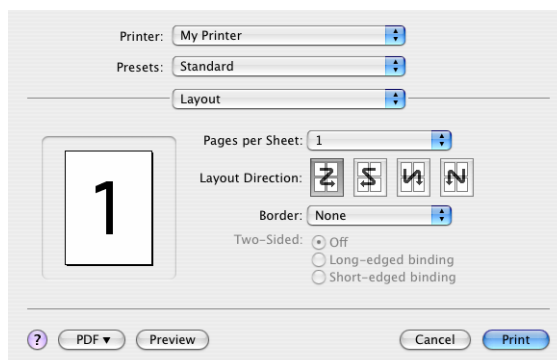
Copies

This option allows you to enter the number of copies to print. If you select **Collate**, all pages of the document will print before the next copy prints.

Pages

You can select whether to print all pages of a document or just a section of it.

LAYOUT



Pages per sheet

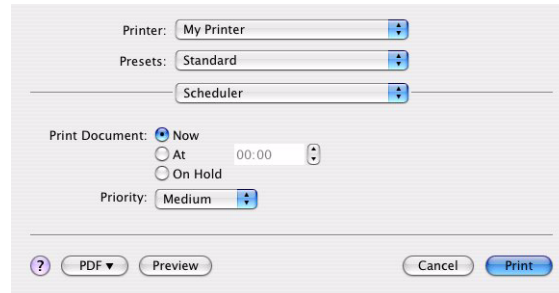
You can shrink multiple pages and print them on a single sheet of paper. For example, choosing 4-up will tile four of your document's pages across a single sheet of paper.

You can control the order in which the documents are tiled and also choose to surround each document page with a border.

Two-sided

You cannot use the two sided printing options in this panel. Use the options in the Duplex panel instead. Refer to ["Duplex" on page 29](#).

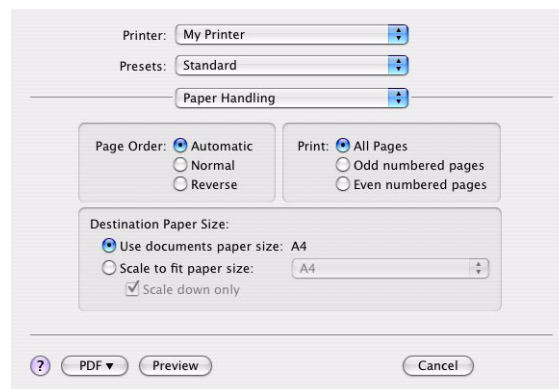
Scheduler



This option lets you choose whether to print your document immediately, or defer printing until later. You can also assign a priority to a print job.

These features are useful if you are printing large documents that take a long time to print.

PAPER HANDLING



Page order

You can choose to print your document in the normal page order (1,2,3..) or reverse order (..3,2,1).

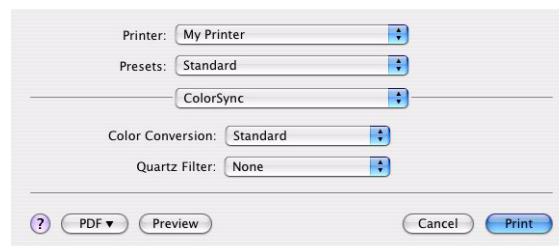
Print

This option allows you to choose whether to print only odd or even numbered pages. This is useful if you are using manual duplex for which you first print all odd pages, re-insert the paper in the printer and then print all even pages.

Destination paper size

Scale documents to fit on the size of paper in your printer. For example, you can take a document formatted for A3 and print it on A4 paper using an A4 printer.

COLORSYNC



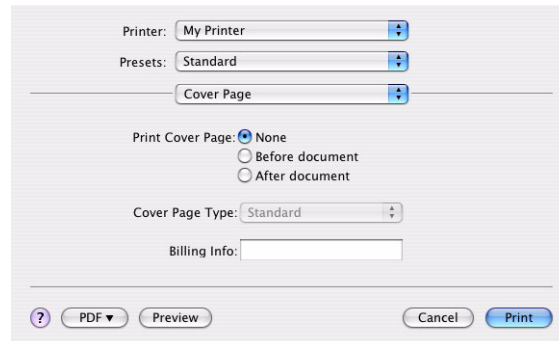
Color conversion

For Color Conversion, Standard is the only option available for your printer model.

Quartz Filter

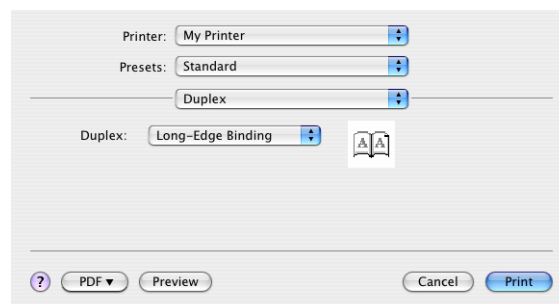
Choose a Quartz filter if you wish to apply a special effect to your print job, such as Sepia or Blue Tone.

COVER PAGE



Choosing a cover page may help you to identify your printed document in a large pile of paper. This is useful in a busy office with many people sharing the printer.

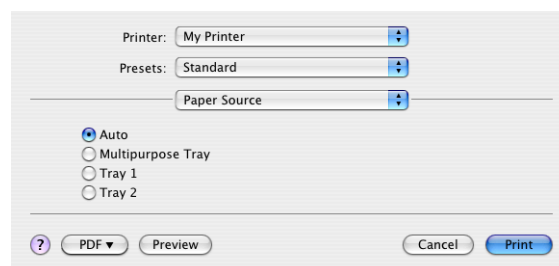
DUPLEX



Choosing duplex allows you to print on both sides of the paper, to save paper, weight, bulk and cost.

Long-Edge Binding prints pages that read like a normal book.
Short-Edge Binding prints pages that read like a notepad.

PAPER SOURCE



This option allows you to select the paper tray to use for your print job.

PRINT QUALITY



Print quality

Use this option to select the print resolution. The ProQ2400 setting produces the best graphic images, but these images can take longer to print.

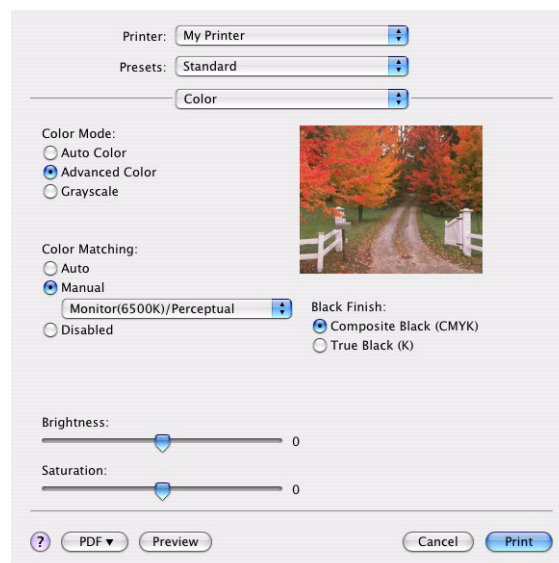
Photo Enhance

Use **Photo Enhance** to significantly improve quality when printing images. The printer driver analyses any photographic images and processes them to improve the overall appearance. This setting cannot be used together with the "ProQ2400" print quality setting.

Toner Saving

Toner saving uses less toner when printing your document. This is best suited to draft text documents as it lightens the print significantly.

COLOR



Color mode

COLOR MODE	DESCRIPTION
Advanced Color	The driver selects the most appropriate color settings.
Manual	Allows you to manually adjust color and black and white settings or select.
Grayscale	Convert all colors to shades of grey.

Color matching

COLOR	DESCRIPTION
Monitor (6500K) Perceptual	Optimised for printing photos. Colors are printed with emphasis on saturation.
Monitor (6500K) Vivid	Optimised for printing photos, but with even more saturated colors.
Monitor (9300K)	Optimised for printing graphics from applications such as Microsoft Office. Colors are printed with emphasis on Lightness.
Digital Camera	Results will vary depending on the subject and conditions the image was taken.
sRGB	The printer reproduces the sRGB color space. This might be useful if color matching from an sRGB input device such as a scanner or digital camera.

Black Finish

Use this option to control the way black is printed in color documents. Select **Composite Black (CMYK)** to use all 4 toner colors to represent black. This option is recommended for color photos. Select **True Black (K)** to use 100% black toner to represent black. This option is recommended for text and business graphics.

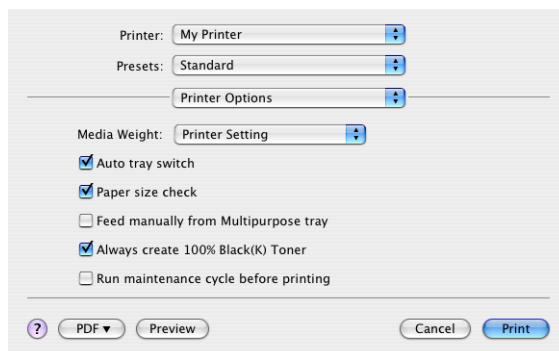
Brightness / Saturation

This option allows you to increase brightness for a lighter print. Modify saturation to change the strength (or purity) of a color.

If the printed colors are too strong, reduce saturation and increase brightness. As a general rule, reduce saturation by the same amount as you increase brightness. For example, if you reduce saturation by 10, increase brightness by 10 to compensate.

PRINTER SETUP OPTIONS

PRINTER OPTIONS



Media weight

Select the thickness or type of paper in the printer. It is important to set this correctly as it affects the temperature at which the toner is fused to the paper. For example, if you are printing on normal A4 paper, do not select Labels or Transparency as this may cause toner smearing and paper jams.

Auto tray switch

If the printer runs out of paper in the current tray, Auto Tray Switch automatically changes to a tray that has the same type of paper and continues printing.

Paper size check

Select Paper Size check if you want the printer to warn you when the document paper size is different from the paper in the printer.

A warning message is displayed and printing continues when you load the correct paper in the paper tray and press **ONLINE**. When this option is deselected, the printer uses the paper loaded in the selected tray regardless of the document size.

Feed manually from Multipurpose Tray

Select this option if you want the printer to wait until you press the ONLINE button when feeding from the Multipurpose Tray. This can be useful if printing on envelopes.

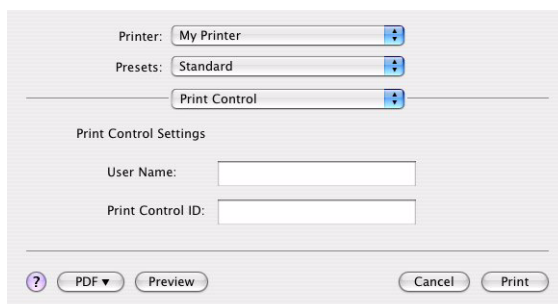
Always create 100% black (K) toner

Select this option if you want the printer to always use only black (K) toner when printing pure black (RGB = 0,0,0). This is effective even when Composite Black (CMYK) is selected in the color options.

Run maintenance cycle before printing

Depending on printing habits and usage patterns, running the maintenance cycle before printing may ensure the best possible print quality. This feature uses the printer's image drums and transfer belt. The life of these printer consumables may be shortened if the printer runs a maintenance cycle frequently.

PRINT CONTROL



Printer: My Printer
Presets: Standard
Print Control

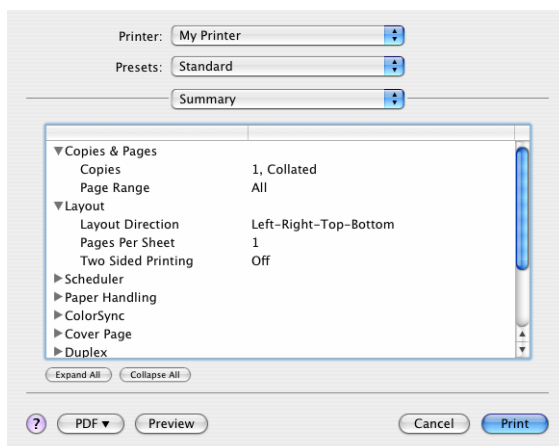
Print Control Settings

User Name:
Print Control ID:

? PDF Preview Cancel Print

If you are using the Windows Print Control Server software to manage printers, enter your assigned user name and ID. This information is sent to the printer with your print job and is recorded by the printer.

SUMMARY



Printer: My Printer
Presets: Standard
Summary

▼ Copies & Pages	
Copies	1, Collated
Page Range	All
▼ Layout	
Layout Direction	Left-Right-Top-Bottom
Pages Per Sheet	1
Two Sided Printing	Off
► Scheduler	
► Paper Handling	
► ColorSync	
► Cover Page	
► Duplex	

Expand All Collapse All

? PDF Preview Cancel Print

This option displays a summary of all selected print options for the current job.

COLOR PRINTING (C301 AND C511 ONLY)

The printer drivers supplied with your machine provide several controls for changing the color output. For general use the automatic settings will suffice, providing reasonable default settings that will produce good results for most documents.

Many applications have their own color settings, and these may override the settings in the printer driver. Please refer to the documentation for your software application for details on how that particular program's color management functions.

FACTORS THAT AFFECT THE APPEARANCE OF PRINTS

If you wish to manually adjust the color settings in your printer driver, please be aware that color reproduction is a complex topic, and there are many factors to take into consideration. Some of the most important factors are listed below.

Differences between the range of colors a monitor or printer can reproduce

- > Neither a printer nor a monitor is capable of reproducing the full range of colors visible to the human eye. Each device is restricted to a certain range of colors. In addition to this, a printer cannot reproduce all of the colors displayed on a monitor, and vice versa.
- > Both devices use very different technologies to represent color. A monitor uses Red, Green and Blue (RGB) phosphors (or LCDs), a printer uses Cyan, Magenta, Yellow and Black (CMYK) toner or ink.
- > A monitor can display very vivid colors such as intense reds and blues and these cannot be easily produced on any printer using toner or ink. Similarly, there are certain colors, (some yellows for example), that can be printed, but cannot be displayed accurately on a monitor. This disparity between monitors and printers is often the main reason that printed colors do not match the colors displayed on screen.

Viewing conditions

A print can look very different under different lighting conditions. For example, the colors in a print may look different when viewed standing next to a sunlit window, compared to how they look under standard office fluorescent lighting.

Printer driver color settings

The driver settings for Manual color can change the appearance of a print. There are several options available to help match the printed colors with those displayed on screen.

Monitor settings

The brightness and contrast controls on your monitor can change how your document looks on-screen. Additionally, your monitor's color temperature influences how "warm" or "cool" the colors look.

There are several settings found on a typical monitor:

- > 5000k Warmest; yellowish lighting, typically used in graphic art environments.
 - > 6500k Cooler; approximates daylight conditions.
 - > 9300k Cool; the default setting for many monitors and television sets.
- (k = degrees Kelvin, a measurement of temperature.)

How your software application displays color

Some graphics applications such as Corel Draw or Adobe Photoshop may display color differently from "Office" applications such as Microsoft Word. Please see your application's on-line help or user manual for more information.

Paper type

The type of paper used can also significantly affect the printed color. For example, a printout on recycled paper can look duller than one on specially formulated glossy paper.

TIPS FOR PRINTING IN COLOR

The following guidelines may help you to achieve good color output from your printer.

PRINTING PHOTOGRAPHIC IMAGES

Use the Monitor (6500k) Perceptual setting.

If the colors look too dull, try the Monitor (6500k) Vivid or Digital Camera settings.

PRINTING FROM MICROSOFT OFFICE APPLICATIONS

Use the Monitor (9300k) setting. This may help if you are having problems with specific colors from applications such as Microsoft Excel or Microsoft Powerpoint.

PRINTING SPECIFIC COLORS (E.G. A COMPANY LOGO)

There are 2 utilities on your DVD-ROM that can help match specific colors:

- > Color Correct Utility
- > Color Swatch Utility

ADJUSTING THE BRIGHTNESS OR INTENSITY OF A PRINT

If the print is too light/dark, you can use the Brightness control to adjust it.

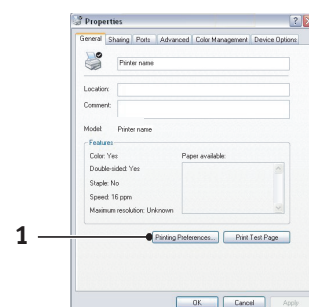
If the colors are too intense/not intense enough, use the Saturation control.

ACCESSING THE COLOR MATCHING OPTIONS

The color matching options in the printer driver can be used to help match your printed colors to the ones displayed on your monitor or from some other source, such as a digital camera.

To open color matching options from the Windows Control Panel:

1. Open the **Printers** window (called "Printers and Faxes" in Windows XP).
2. Right-click the printer name and choose **Properties**.
3. Click the **Printing Preferences** button (1).

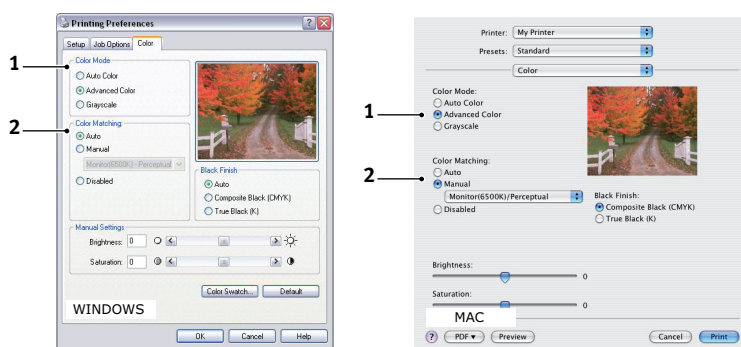


To open color matching options from within a Windows application:

1. Choose **File > Print...** from the application's menu bar.
2. Click the **Properties** button next to the printer name.

SETTING THE COLOR MATCHING OPTIONS

1. On the **Color** tab select **Advanced Color** (1) for color matching.



2. Choose the **Manual** color setting (2) and select from the following options:

- (a) **Monitor (6500k) Perceptual**

Optimised for printing photographs. Colors are printed with emphasis on saturation.

- (b) **Monitor (6500k) Vivid**

Optimised for printing photographs, but with even more saturated colors than the Monitor (6500k) Perceptual setting.

- (c) **Monitor (9300k)**

Optimised for printing graphics from applications such as Microsoft Office. Colors are printed with emphasis on Lightness.

- (d) **Digital Camera**

Optimised for printing photographs taken with a digital camera.

Your results will vary depending on the subject and the conditions under which the photograph was taken.

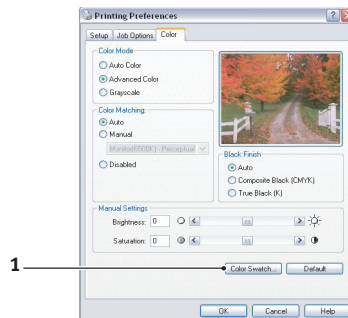
- (e) **sRGB**

The printer will try to reproduce the sRGB color space. This may be useful if color matching from an sRGB input device such as a scanner or digital camera.

USING THE COLOR SWATCH FEATURE

To use the Color Swatch feature, you must install the Color Swatch Utility. This is supplied on the DVD-ROM that you received with your printer.

The Color Swatch function prints charts which contain a range of sample colors. Note that this is not the full range of colors that the printer can produce. Listed on each sample color are the corresponding RGB (Red, Green, Blue) values. This can be used to pick specific colors in applications that allow you to choose your own RGB values. Simply click the **Color Swatch** button (1) and choose from the options available.



An example of using the Color Swatch function:

You wish to print a logo in a particular shade of red. The steps you would follow are:

1. Print a color swatch, then select the shade of red that best suits your needs.
2. Take a note of the RGB value for the particular shade that you liked.
3. Using your program's color picker, enter these same RGB values, and change the logo to that color.

The RGB color displayed on your monitor may not necessarily match what was printed on the color swatch. If this is the case, it is probably due to the difference between how your monitor and printer reproduce color. Here, it is unimportant since your primary objective is to print the required color.

USING THE COLOR CORRECT UTILITY

The Oki Color Correct Utility is provided on your DVD-ROM.

The Color Correct utility has the following features:

- > Office palette colors can be individually adjusted. This is useful if you want to change how a specific color is printed.
- > Colors can be adjusted by changing Hue, Saturation and Gamma. This is useful if you wish to change the overall color output.

Once these color adjustments have been made, the new settings can be selected from the printer driver ColorColor tab.

To select adjustments made with the Color Correct Utility:

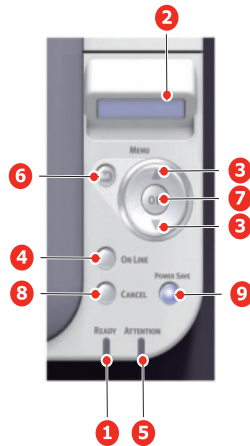
1. From your application program, click **File** and point to **Print**.
2. Click **Properties**. This displays the printer driver options.
3. Click the **Color** tab.
4. Click **Advanced Color**.
5. Click **User Defined**.

Select the color adjustment you made with the Color Correct Utility.

MENU FUNCTIONS

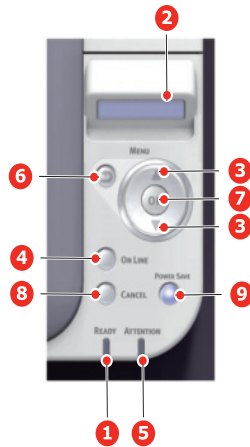
This section lists the menus accessed via the controls on the printer’s operator panel and displayed in the LCD window.

OPERATOR PANEL



C301/C321/C331/C511/C531/ES5431

1. READY LED	ON: Ready to receive data. BLINKING: Processing data. OFF: Offline.	2. DISPLAY	Displays the printer status and any error messages.
3. MENU Buttons	In the ONLINE or OFFLINE mode: enters the Menu mode. In the Menu mode: forwards or reverses the menu item displayed. Press for 2 secs. or longer to fast forward or reverse.	4. ON LINE Button	Switches between ONLINE and OFFLINE. Exits the menu and goes ONLINE when pressed in the Menu mode. Forces printing on the paper currently loaded when pressed with "WRONG PAPER" or "WRONG PAPER SIZE" displayed.
5. ATTENTION LED	ON: A warning occurs. Printing may be possible (e.g low toner). BLINKING: An error occurs. Printing not possible (e.g. toner empty). OFF: Normal condition.	6. BACK Button	Returns to the previous higher level menu item.



C301/C321/C331/C511/C531/ES5431

<p>7. OK Button</p>	<p>In the ONLINE or OFFLINE mode: enters the Menu mode.</p> <p>In the Menu mode: determines the setting selected.</p>	<p>8. CANCEL Button</p>	<p>Deletes the data being printed or received when pressed for two seconds or longer.</p> <p>Deletes the data when pressed for two seconds or longer with WRONG PAPER SIZE, RUN OUT OF PAPER, TRAY 1 IS OPEN, or TRAY 1 IS NOT FOUND is displayed.</p> <p>Exits the menu and goes ONLINE when pressed in the Menu mode.</p>
<p>9. POWER SAVE Button & LED</p>	<p>Pressing this button switches the machine into power save mode or wakes the machine up from power save mode.</p> <p>ON: Power save state.</p> <p>BLINKING: Sleep state.</p> <p>OFF: When it is not sleep or power save, either.</p>		

HOW TO CHANGE THE SETTINGS - USER

It should be noted that many of these settings can be, and often are, overridden by settings in the Windows printer drivers. However, several of the driver settings can be left at "Printer Setting", which will then default to the settings entered in these printer menus.

Where applicable, factory default settings are shown in bold type in the following tables.

In the normal operating condition, known as "standby," the printer's LCD window will show "ONLINE." In this condition, to enter the menu system, press the **up** and **down** Menu buttons on the operator panel to move up and down through the list of menus until the menu you wish to view is displayed. Then proceed as follows:

1. Press **OK** to enter the menu.
2. Use the **up** and **down** MENU buttons on the control panel to scroll through the menus. When the item you want to change is displayed, press **OK** to view the sub-menu for that item.
3. Use the **up** and **down** MENU buttons to move up and down through the sub-menu items. When the item you want to change is displayed press **OK** to display the setting.
4. Use the **up** and **down** MENU buttons to move up and down through the available settings for the sub-menu item. When the item you want to change is displayed press **OK** to display the setting. An asterisk (*) will appear next to the setting, indicating that this setting is currently in effect.
5. Do one of the following:
 - > Press **BACK** again to move up to the list of menus;
 - or...
 - > Press **ON LINE** or **CANCEL** to exit from the menu system and return to standby.

HOW TO CHANGE THE SETTINGS - ADMINISTRATOR

You can set whether to ENABLE or DISABLE each category in the user menu.

Disabled categories are not displayed in the User's menu. Only a system administrator can change these settings.

1. Turn **OFF** the printer.
2. Turn **ON** the printer while pressing the **OK** button.
When **ADMIN MENU** appears, take your finger off the button.
3. Press the **OK** button.
4. At the Enter Password prompt, enter the Admin password:
 - (a) Using the **up** and **down** MENU buttons, scroll to the required letter/digit.
 - (b) Press the **OK** button to input and move to the next letter/digit.
 - (c) Repeat steps (a) and (b) until all letters/digits are entered.

Enter your 6 to 12 digit password.

(The default password is aaaaaa).
5. Press the **OK** button.
6. Press the **up** or **down** MENU button until the "category" you want to change is displayed.
7. Press the **OK** button.
8. Press the **up** or **down** MENU button until the "item" you want to change is displayed.

9. Press the **OK** button.
10. Using the **up** or **down** MENU button, identify the parameter as required.
11. Press the **OK** button to enter an asterisk (*) on the right side of the setting selected.
12. Press the **ON LINE** button to switch to online. The machine will automatically re-boot.

MENUS

NOTE

This guide is written to cover a number of models and as such may reference menu items or features that your machine does not have installed or does not support.

PRINT JOBS MENU - C531/ES5431 ONLY

NOTE

This menu only displays if the optional SD card is installed.

ITEM	ACTION	EXPLANATION
ENCRYPTED JOB	NOT FOUND PRINT DELETE	<p>Used for printing an encrypted authentication print job (Encrypted Job) stored in the SD card.</p> <p>After inputting a password, "SEARCHING JOB" is displayed until a job appropriate to the password is found.</p> <p>(Searching time increases in proportion to the number of jobs stored in the SD card, and the printer may take up to 20 sec.)</p> <p>The search can be cancelled by holding down the CANCEL button.</p> <p>"NOT FOUND" will be displayed where a file is unavailable.</p> <p>One of the following messages will appear if a printable file is available.</p> <p>ENCRYPTED JOB PRINT DELETE</p> <p>If PRINT is selected, ALL jobs will be printed.</p> <p>If DELETE is selected, the following message will appear.</p> <p>ARE YOU SURE? YES NO</p> <p>If NO is selected you will return to the source MENU. If YES is selected, ALL jobs will be deleted.</p> <p>Print jobs with encrypted authentication stored in the SD card are deleted by a delete method specified by the driver after printing or a delete instruction from the menu.</p>

ITEM	ACTION	EXPLANATION
STORED JOB	NOT FOUND PRINT DELETE	Used to print out a stored job in the SD card. "NOT FOUND" will be displayed where a file is unavailable. One of the following messages will appear if a printable file is available. STORED JOB PRINT DELETE If PRINT is selected, COLLATING AMOUNT is displayed and the number of pages to print can be specified. Press the OK button. All specified pages will be printed. If DELETE is selected, the following message will appear. ARE YOU SURE? YES NO If NO is selected you will return to the source MENU. If YES is selected, ALL jobs will be deleted.

INFORMATION MENU

This menu provides a quick method of listing various items stored within the printer.

ITEM	ACTION	EXPLANATION
PRINT MENU MAP	EXECUTE	Prints complete menu listing with current settings shown.
NETWORK	EXECUTE	Prints Network configuration information.
PRINT FILE LIST	EXECUTE	Prints a list of overlays, macros, fonts and other files stored on the printer's SD card (if installed).
PRINT PCL FONT	EXECUTE	Prints complete list of all internal PCL fonts plus those stored in ROM (slot 0), flash memory and SD card (if installed).
PRINT PSE FONT	EXECUTE	Prints complete list of all internal PostScript emulation fonts.
PRINT PPR FONT	EXECUTE	Prints complete list of all internal IBM ProPrinter III XL emulation fonts, including any downloaded to flash memory or SD card (if installed).
PRINT FX FONT	EXECUTE	Prints complete list of all internal Epson FX emulation fonts, including any downloaded to flash memory or SD card (if installed).
DEMO1	EXECUTE	Prints demonstration page containing graphics and text in color and monochrome.
PRINT ERROR LOG	EXECUTE	Prints a list of all errors and warnings experienced.
USAGE REPORT	EXECUTE	Prints a list of color and mono pages printed.
COLOR PROF LIST	EXECUTE	Prints a list of stored color profiles.

PRINT MENU

This menu provides adjustment of various print job related functions.

ITEM	SETTINGS	EXPLANATION
COPIES	1-999	Enter the number of copies of a document to be printed from 1 to 999.
DUPLEX	ON OFF	Switches the Duplex (2 sided) function ON/OFF.
DUPLEX LAST PAGE	SKIP BLANK PAGE ALWAYS PRINT	When Skip Blank Page is selected and a print job has an odd number of pages, the final page will be printed as Simplex. When Always Print is selected and the print job contains an odd number of pages, the final page will be printed as Duplex.
BINDING	LONG EDGE SHORT EDGE	Sets the default binding to SEF or LEF. Display condition: duplex setting is enabled. See "DUPLEX" on page 42.
PAPER FEED	TRAY1 TRAY2 MP TRAY	Selects the default tray for paper feed, Tray 1 (upper), Tray 2 (lower, if installed) or MP Tray (multi purpose tray).
AUTO TRAY SWITCH	ON OFF	If two trays contain identical paper, the printer can switch to an alternative source when the current tray runs out in the middle of a print job.
TRAY SEQUENCE	DOWN UP PAPER FEED TRAY	Determines tray sequence order when automatically switching.
MP TRAY USAGE	DO NOT USE WHEN MISMATCH	If a document to be printed demands a paper size not installed in the selected tray, the printer can automatically feed from the multi purpose tray instead. If this function is not enabled, the printer will stop and request the correct size of paper to be loaded.
MEDIA CHECK	ENABLE DISABLE	Determines whether the printer check the size of paper loaded matches that required for the document sent to print.
OVERRIDE A4/LT	YES NO	If enabled, when the paper size of a job is set to A4 but there is no A4 set in the printer, if there is Letter paper in the printer, the job will be printed on Letter paper without requesting the user to fill the paper tray with A4 paper. Similarly, when the paper size of a job is set to Letter but there is no Letter set in the printer, if there is A4 paper in the printer, the job will be printed on A4 paper without requesting the user to fill the paper tray with Letter paper.
RESOLUTION	600DPI 600x1200DPI 600DPI M-LEVEL	Sets the default resolution for printing (dots per inch). 600x1200DPI uses more memory and requires more time to process, but prints at a higher quality.
TONER SAVE LEVEL	OFF LOW MIDDLE HIGH	Set the toner save level.
TONER SAVE COLOR	ALL EXCEPT 100% BLACK	Specify toner save for 100% black. All: Enables toner save for all colors. Except 100% Black: Disables toner save for 100% black.

ITEM	SETTINGS	EXPLANATION
MONO-PRINT SPEED	AUTO COLOR SPEED NORMAL SPEED	Sets the monochrome print speed. Prints at the most appropriate speed for page process if Auto is set. Prints always at the color print speed if Color is set. Prints always at the monochrome print speed if Normal is set.
ORIENTATION	PORTRAIT LANDSCAPE	Selects default page orientation between portrait (tall) and landscape (wide). - (PCL, IBMPPR & EPSON FX only)
LINES PER PAGE	5~60~64~128LINES	Sets the number of lines of text per page when raw text is received from systems other than Windows. The default for A4 portrait is 64, and for Letter is 60. - (PCL only)
EDIT SIZE	CASSETTE SIZE A4 /A5/ A6 / B5 LEGAL14 LEGAL13.5 LEGAL13 LETTER EXECUTIVE 16K(184x260mm) 16K(195x270mm) 16K(197x273mm) CUSTOM COM-9 ENVELOPE COM-10 ENVELOPE MONARCH ENV DL ENVELOPE C5 ENVELOPE HAGAKI OUFUKU HAGAKI NAGAGATA #3 NAGAGATA #4 YOUGATA #4 FUTO A4 INDEX CARD	Sets the size of the printable page area to match the size of paper in use. This is not the same as the physical paper size, which is always slightly larger. For dimensions of physical page sizes, see "Paper Recommendations" section in this guide.
X DIMENSION	64MILLIMETER (2.5INCH) ~ 210MILLIMETER (8.3INCH) ~ 216MILLIMETER (8.5INCH)	Specifies paper width of Custom paper as a default value. Sets a paper size at right angles to the paper run direction.
Y DIMENSION	127MILLIMETER (5.0INCH) ~ 279MILLIMETER (11.0INCH) ~ 297MILLIMETER (11.7INCH) ~ 1321MILLIMETER (52.0INCH)	Specifies paper length of Custom paper as a default value. Sets a paper size in the same direction as the paper run direction.

MEDIA MENU

This menu provides adjustment to suit a wide range of print media.

ITEM	SETTINGS	EXPLANATION
TRAY1 PAPERSIZE	A4 /A5/ A6/B5/LEGAL14/ LEGAL13.5/LEGAL13/ LETTER/EXECUTIVE 16K(184x260mm) 16K(195x270mm) 16K(197x273mm) CUSTOM HAGAKI	Selects the size of paper loaded in Tray 1 (upper tray if both trays installed). For CUSTOM setting see X-DIMENSION and Y-DIMENSION in "Print menu" on page 42.
TRAY1 MEDIATYPE	PLAIN LETTERHEAD BOND RECYCLED CARD STOCK ROUGH GLOSSY USERTYPE1 USERTYPE2 USERTYPE3 USERTYPE4 USERTYPE5	Selects the type of media loaded in this tray. This will help the printer to adjust its internal operating parameters, such as engine speed and fusing temperature, to better accommodate the media to be fed. For example, letterhead may benefit from a slightly lower fusing temperature to ensure that its ink does not offset. Note: USERTYPEn are displayed only if registered in the host PC/Server.
TRAY1MEDIaweIGHT	LIGHT MEDIUM LIGHT MEDIUM HEAVY ULTRA HEAVY1	Adjusts the printer for the weight of paper stock loaded in this tray.
TRAY2 PAPERSIZE	A4 /A5/ B5/LEGAL14/ LEGAL13.5/LEGAL13/ LETTER/EXECUTIVE 16K(184x260mm) 16K(195x270mm) 16K(197x273mm) CUSTOM	Selects the size of paper loaded in Tray 2 (lower) if installed. For CUSTOM setting see X-DIMENSION and Y-DIMENSION in "Print menu" on page 42.
TRAY2 MEDIATYPE	PLAIN LETTERHEAD BOND RECYCLED CARD STOCK ROUGH GLOSSY USER TYPE 1 USER TYPE 2 USER TYPE 3 USER TYPE 4 USER TYPE 5	Selects the type of media loaded in this tray (if installed). This will help the printer to adjust its internal operating parameters, such as engine speed and fusing temperature, to better accommodate the media to be fed. For example, letterhead may benefit from a slightly lower fusing temperature to ensure that its ink does not offset. Note: USERTYPEn are displayed only if registered in the host PC/Server.
TRAY2MEDIaweIGHT	LIGHT MEDIUM LIGHT MEDIUM HEAVY ULTRA HEAVY1	Adjusts the printer for the weight of paper stock loaded in this tray (if installed).

ITEM	SETTINGS	EXPLANATION
MPT PAPERSIZE	A4 A5 A6 B5 LEGAL14 LEGAL13.5 LEGAL13 LETTER EXECUTIVE 16K(184x260mm) 16K(195x270mm) 16K(197x273mm) CUSTOM COM-9 ENVELOPE COM-10 ENVELOPE MONARCH ENV DL ENVELOPE C5 ENVELOPE HAGAKI OUFUKU HAGAKI NAGAGATA #3 NAGAGATA #4 YOUGATA #4 FUTO A4 INDEX CARD	Selects the size of paper to be fed from the multi purpose tray. For CUSTOM setting see X-DIMENSION and Y-DIMENSION in "Print menu" on page 42.
MPT MEDIATYPE	PLAIN LETTERHEAD LABELS BOND RECYCLED CARD STOCK ROUGH GLOSSY USER TYPE 1 USER TYPE 2 USER TYPE 3 USER TYPE 4 USER TYPE 5	Selects the type of media to be fed from the multi purpose tray so that the printer can adjust its internal parameters to better accommodate the selected type of media. Note: USERTYPEn are displayed only if registered in the host PC/Server.
MPT MEDIAWEIGHT	LIGHT MEDIUM LIGHT MEDIUM HEAVY ULTRA HEAVY1 ULTRA HEAVY2	Selects the media weight to be fed from the multi purpose tray.
UNIT OF MEASURE	INCH MILLIMETER	Selects the unit of measure. Note: The default setting varies depending on the sales area.

COLOR MENU

The printer automatically adjusts color balance and density at appropriate intervals, optimising the printed output for bright white paper viewed in natural daylight conditions. The items on this menu provide a means of changing the default settings for special or particularly difficult print jobs.

ITEM	SETTINGS	EXPLANATION
DENSITY CONTROL	AUTO MANUAL	If set to AUTO, image density will be automatically adjusted at power on, when a new image drum or toner cartridge is installed, and at intervals of 100, 300 and 500 drum counts. If a 500 drum count interval occurs during a print job it will occur at the end of that job, and will take up to 55 seconds. If set to manual, this adjustment will only be performed when initiated by the next menu item.
ADJUST DENSITY	EXECUTE	Selecting this will activate adjustment of the color density.
COLOR TUNING	PRINT PATTERN	Selecting this item prints the color tuning pattern to help you adjust the color balance.
C HIGHLIGHT C MID-TONE C DARK M HIGHLIGHT M MID-TONE M DARK Y HIGHLIGHT Y MID-TONE Y DARK K HIGHLIGHT K MID-TONE K DARK	-3~0~+3 -3~0~+3 -3~0~+3 -3~0~+3 -3~0~+3 -3~0~+3 -3~0~+3 -3~0~+3 -3~0~+3 -3~0~+3 -3~0~+3 -3~0~+3	Adjusts image density for each color component (cyan, magenta, yellow and black). Normal setting is 0.
C DARKNESS M DARKNESS Y DARKNESS K DARKNESS	-3~0~+3 -3~0~+3 -3~0~+3 -3~0~+3	Adjusts darkness of each color component (cyan, magenta, yellow and black). Normal setting is 0.
AJST REGISTRATION	EXECUTE	Performs automatic color registration adjustment. Normally this is done on power on and when the top cover is opened and then closed. This process accurately aligns the cyan, magenta and yellow images to the black image.
C REG FINE AJST M REG FINE AJST Y REG FINE AJST	-3~0~+3 -3~0~+3 -3~0~+3	Performs fine adjustment of image timing in relation to the black image component.
INK SIMULATION	OFF SWOP EUROSCALE JAPAN	Selects from a range of industry standard color swatches. Note: This function only applies to PS models
UCR	LOW MEDIUM HIGH	Selects limitation of the toner layer thickness. If paper curl occurs in dark printing, selecting MEDIUM or LIGHT sometimes helps reduce curl.
CMY100% DENSITY	DISABLE ENABLE	When enabled, black areas are produced using 100% C, M, and Y instead of black. This results in a glossier finish.

ITEM	SETTINGS	EXPLANATION
CMYK CONVERSION	ON OFF	Setting to "OFF" will simplify the conversion process of CMYK data, which will reduce the processing time. This setting is ignored when Ink Simulation function is used. Note: This function only applies to PS models

SYS CONFIG MENU

This menu adjusts general printer settings to suit the way you prefer to work.

ITEMS	SETTINGS	EXPLANATION
POW SAVE TIME	1 MIN 2 MIN 3 MIN 4 MIN 5 MIN 10 MIN 15 MIN 30 MIN 60 MIN 120 MIN	Adjusts the idling time before the printer automatically switches into power saving mode. In this mode power consumption is reduced to a low level required to just keep the printer operating and ready to receive data. When a job is sent the printer will require a warm-up time of up to 1 minute before printing can begin.
SLEEP TIME	1 MIN 2 MIN 3 MIN 4 MIN 5 MIN 10 MIN 15 MIN 30 MIN 60 MIN 120 MIN	Adjusts the power saving time before the printer automatically switches into sleep mode.
AUTO PW OFF TIME	1 HOUR 2 HOURS 3 HOURS 4 HOURS 8 HOURS 12 HOURS 18 HOURS 24 HOURS	Sets the time to switch from idle state to Off mode.
PERSONALITY	AUTO EMULATION PCL IBM PPR III XL EPSON FX PS3 EMULATION	This item selects which industry standard emulation your printer should use. When set to AUTO, incoming data is examined and the correct emulation is automatically selected each time a print job is received.
USB PS-PROTOCOL	RAW ASCII	Selects PostScript data format for USB port.
NET PS-PROTOCOL	RAW ASCII	Selects PostScript data format for network port.
CLRABLE WARNING	ONLINE JOB	When ONLINE, non-critical warnings, such as requests for a different paper size, can be cleared by pressing the ON LINE button. When set to JOB, they are cleared when the print job resumes.
AUTO CONTINUE	ON OFF	Determines whether or not the printer will automatically recover from a memory overflow condition.
MANUAL TIMEOUT	OFF 30 SEC 60 SEC	Specifies how many seconds the printer will wait for paper to be fed before cancelling the job.

ITEMS	SETTINGS	EXPLANATION
WAIT TIMEOUT	5~ 40 SEC ~300, OFF	Specifies how many seconds the printer will wait when received data pauses before forcing a page eject. In PostScript Emulation mode the job will be cancelled if timeout occurs.
LOW TONER	CONTINUE STOP	Specifies whether the printer should continue printing even after a low toner condition is detected.
JAM RECOVERY	ON OFF	Specifies whether the printer should perform jam recovery after a paper jam has occurred. If ON, the printer will attempt to re-print any pages lost due to a paper jam once the jam has been cleared.
ERROR REPORT	ON OFF	If ON, the printer will print error details when a PostScript Emulation error occurs. Note: Applies to PS & PCL XL only.

PCL EMULATION

This menu controls settings effective when the printer is operating in PCL emulation mode.

ITEMS	SETTINGS	EXPLANATION
FONT SOURCE	RESIDENT / RESIDENT2	Specifies the location of the PCL default font. Normally this will be INTERNAL unless additional fonts are installed in the expansion ROM slot or additional fonts have been downloaded to RAM as permanent fonts.
FONT NO.	10 ~ I90	Sets the current default font number from the currently selected source.
FONT PITCH	0.44CPI~ 10.00CPI ~ 99.99CPI	Sets the width of the PCL default font in characters/inch (CPI). Default font is the fixed-pitch, scalable font. The value is displayed to the second decimal place Displayed only when the font selected in Font No. is fixed-spacing, scalable font.
FONT HEIGHT	4.00 POINT~ 12.00 POINT ~999.75 POINT	Height of the PCL default font. Note: This menu item is displayed only when the font selected in Font No. is a proportional-spacing, scalable font.
SYMBOL SET	PC-8 (Default Symbol Set only shown)	PCL symbol set. If the font source and number are changed to one which does not support the selected symbol set, this must be changed to an available symbol set for that font.
A4 PRINT WIDTH	78 COLUMN 80 COLUMN	Sets the number of columns subject to Auto LF with A4 paper in PCL. This is the value when Auto CR/LF Mode is set to OFF with the 10CPI character.
WHITE PAGE SKIP	OFF / ON	Selects whether blank pages are printed or not.
CR FUNCTION	CR / CR+LF	Selects whether a received carriage return character (0Dh) also causes a line feed.
LF FUNCTION	LF / LF+CR	Selects whether a received line feed character (0Ah) also causes a carriage return.
PRINT MARGIN	NORMAL 1/5 INCH 1/6 INCH	Sets the non-printable page area. NORMAL is PCL compatible.
TRUE BLACK	OFF / ON	Selects whether black image data is printed using black toner (ON) or 100% CMY (OFF). (Valid in PCL emulation mode only.)

ITEMS	SETTINGS	EXPLANATION
PEN WIDTH ADJUST	ON/OFF	When minimum width is specified in PCL, sometimes a 1-dot line, looks broken. With PEN WIDTH Adjust set to ON, when the minimum width is specified, the line width will be emphasized so as to look wider than a 1-dot line. With PEN WIDTH Adjust set to OFF, the line will appear as before.
TRAY ID# MP TRAY	1 ~ 4 ~ 59	Sets the # to specify the MP tray for the paper feed destination command (ESC&l#H) in PCL5e emulation.
TRAY 2	1 ~ 5 ~ 59	Sets the # to specify Tray 2 for the paper feed destination command (ESC&l#H) in PCL5e emulation. (Displayed only if Tray 2 is installed).

PPR EMULATION

This menu controls settings effective when the printer is operating in PPR emulation mode.

ITEM	SETTINGS	EXPLANATION
CHARACTER PITCH	10 CPI ; 12 CPI; 17 CPI; 20 CPI; PROPORTIONAL	Specifies character pitch in IBM PPR emulation.
FONT CONDENSE	12CPI TO 20CPI 12CPI TO 12CPI	Specifies 12CPI pitch for Condense Mode.
CHARACTER SET	SET-1 SET-2	Specifies a character set.
SYMBOL SET	IBM-437 (Default Symbol Set only shown)	Specifies a symbol set.
LETTER O STYLE	DISABLE ENABLE	Specifies the style that replaces 9BH with letter o and 9DH with a zero
ZERO CHARACTER	NORMAL SLASHED	Sets the zero to be slashed or unslashed.
LINE PITCH	6 LPI ; 8 LPI	Specifies the line spacing.
WHITE PAGE SKIP	OFF / ON	Selects whether blank pages are printed or not.
CR FUNCTION	CR / CR+LF	Selects whether a received carriage return character (0Dh) also causes a line feed.
LF FUNCTION	LF / LF+CR	Selects whether a received line feed character (0Ah) also causes a carriage return.
LINE LENGTH	80 COLUMN ; 136 COLUMN	Specifies the number of characters per line.
FORM LENGTH	11 INCH 11.7 INCH 12 INCH	Specifies the length of paper.
TOF POSITION	0.0INCH ~ 1.0INCH	Specifies the distance of print from the top edge of the paper.
LEFT MARGIN	0.0INCH ~ 1.0INCH	Specifies the distance of print from the left hand edge of the paper.

ITEM	SETTINGS	EXPLANATION
FIT TO LETTER	DISABLE ENABLE	Sets the printing mode that can fit print data, equivalent to 11 inches (66 lines), in the LETTER-size printable area.
TEXT HEIGHT	SAME DIFF	Sets the height of a character. SAME: Regardless of CPI, same height DIFF: As CPI, character heights vary.

FX EMULATION

This menu controls settings effective when the printer is operating in FX emulation mode.

ITEM	SETTINGS	EXPLANATION
CHARACTER PITCH	10 CPI ; 12 CPI; 17 CPI; 20 CPI; PROPORTIONAL	Specifies character pitch in this emulation.
CHARACTER SET	SET-1 SET-2	Specifies a character set.
SYMBOL SET	IBM-437 (Default Symbol Set only shown)	Specifies a symbol set.
LETTER O STYLE	DISABLE ENABLE	Specifies the style that replaces 9BH with letter o and 9DH with a zero
ZERO CHARACTER	NORMAL SLASHED	Sets the zero to be slashed or unslashed.
LINE PITCH	6 LPI ; 8 LPI	Specifies the line spacing.
WHITE PAGE SKIP	OFF / ON	Selects whether blank pages are printed or not.
CR FUNCTION	CR / CR+LF	Selects whether a received carriage return character (0Dh) also causes a line feed.
LINE LENGTH	80 COLUMN ; 136 COLUMN	Specifies the number of characters per line.
FORM LENGTH	11 INCH 11.7 INCH 12 INCH	Specifies the length of paper.
TOF POSITION	0.0INCH ~ 1.0INCH	Specifies the distance of print from the top edge of the paper.
LEFT MARGIN	0.0INCH ~ 1.0INCH	Specifies the distance of print from the left hand edge of the paper.
FIT TO LETTER	DISABLE ENABLE	Sets the printing mode that can fit print data, equivalent to 11 inches (66 lines), in the LETTER-size printable area.
TEXT HEIGHT	SAME DIFF	Sets the height of a character. SAME: Regardless of CPI, same height. DIFF: As CPI, character heights vary.

USB MENU

This menu controls the operation of the printer's USB data interface.

ITEM	SETTINGS	EXPLANATION
SOFT RESET	ENABLE / DISABLE	Enables or disables the SOFT RESET command.
SPEED	12Mbps / 480Mbps	Selects the interface speed.
OFFLINE RECEIVE	ENABLE / DISABLE	Enables or disables this function. When set to Enable, the interface retains a receive possible state even when switching to Offline. Interface sends the BUSY signal only when the receive buffer is full or a service call occurs.
SERIAL NUMBER	ENABLE / DISABLE	Specifies whether to ENABLE or DISABLE a USB serial number. The USB serial number is used to identify the USB device connected to your PC.

NOTE

When you have changed any settings in the USB MENU, turn the printer OFF, then ON again.

NETWORK MENU

This menu controls the operation of the printer's 10Base-T/100Base-TX network interface.

ITEM	SETTINGS	EXPLANATION
TCP/IP	ENABLE / DISABLE	Enables or disables this network protocol.
IP VERSION	IP v4 IP v4+v6 IP v6	Applies to C331 and C531/ES5431 only. Sets up the IP version. Operates with IPv4 only (not valid with IPv6). Operates with both IPv4 and IPv6. Operates with IPv6 only (not valid with IPv4). From this stage, if IPv6 only is set from UI, for example Telnet, "IP v6" appears as the value of IP Version on the operation panel. "IP v6" will disappear from the value if "IP v4" or "IP v4+v6" is selected. Display Condition: TCP/IP should be enabled.
NETBEUI	ENABLE / DISABLE	Applies to C331 and C531/ES5431 only. Enables or disables this network protocol.
NETBIOS OVER TCP	ENABLE / DISABLE	Applies to C331 and C531/ES5431 only. Sets Enable/Disable of NetBIOS over TCP protocol. Display Conditions: > > TCP/IP should be enabled. > > IP Version is not IPv6.
NETWARE	ENABLE / DISABLE	Applies to C331 and C531/ES5431 only. Enables or disables this network protocol.
ETHERTALK	ENABLE / DISABLE	Applies to C331 and C531/ES5431 only. Enables or disables this network protocol.
FRAME TYPE	AUTO / 802.2 / 802.3 / ETHERNET II / SNAP	Applies to C331 and C531/ES5431 only. Selects the Ethernet MAC layer frame type. Display Condition: Netware should be enabled.

ITEM	SETTINGS	EXPLANATION
IP ADDRESS SET	AUTO / MANUAL	Specifies whether IP address allocation is automatic (DHCP) or manually assigned.
IPV4 ADDRESS	xxx.xxx.xxx.xxx	Current assigned IP address. To change, press OK and use Menu buttons to increment 1st octet, then press OK again to move on to next octet. When 4th octet has been set, press OK again to register new address.
SUBNET MASK	xxx.xxx.xxx.xxx	Current assigned subnet mask. To change, proceed as above.
GATEWAY ADDRESS	xxx.xxx.xxx.xxx	Current assigned gateway address. To change, proceed as above.
WEB	ENABLE / DISABLE	Enables or disables Web config. facility.
TELNET	ENABLE / DISABLE	Enables or disables Telnet config. facility.
FTP	ENABLE / DISABLE	Enables or disables communication via FTP.
IPSEC	ENABLE / DISABLE	Applies to C331 and C531/ES5431 only. Sets Enable/Disable of IPsec. Enable via the web. Enable: IPsec is available. Disable: IPsec is not available.
SNMP	ENABLE / DISABLE	Enables or disables SNMP protocol.
NETWORK SCALE	NORMAL / SMALL	Selects network size. When NORMAL is selected, printer can work effectively, even when connected to a HUB that has a spanning tree feature. However, printer start up time gets longer when computers are connected with two or three small LANs. When SMALL is selected, computers can cover from two or three small LANs to a large LAN, but may not work effectively when connected to a HUB that has a spanning tree feature.
HUB LINK SETTING	AUTO NEGOTIATE 100BASE-TX FULL 100BASE-TX HALF 10BASE-T FULL 10BASE-T HALF	Sets full or half duplex for communication via a network hub. When AUTO is set, negotiation is done automatically.
TCP ACK	TYPE 1 TYPE2	This setting determines whether the network card in the Printer/MFP will acknowledge every TCP packet or whether it will delay it's acknowledgement until multiple packets have been received. When Type 1 is set the Printer/MFP will respond to every TCP packet with an ACK packet. When Type 2 is set the Printer/MFP will delay it's TCP ACK response. In most environments the default TCP ACK setting should be OK, however changing this setting may be beneficial when a connection problem (e.g your printing job incompletely terminates) occurs if it takes a long time to interpret/print your job.
FACTORY DEFAULTS	EXECUTE	Reloads the settings present when the unit was setup by the manufacturer.

MEMORY MENU

Not displayed as default. This menu is displayed only when set to **ENABLE** in OP MENU of Administrator menu.

This menu sets the conditions of memory allocated to the buffer and resource.

ITEM	SETTINGS	EXPLANATION
RECEIVE BUF SIZE	AUTO 0.5MB 1MB 2MB 4MB 8MB 16MB 32MB	Sets the size of the receive buffer.
RESOURCE SAVE	AUTO OFF 0.5MB 1MB 2MB 4MB 8MB 16MB 32MB	Sets the size of the resource saving area.

SYS ADJUST MENU

Not displayed as default. This menu is displayed only when set to **ENABLE** in OP MENU of Administrator menu.

ITEM	SETTINGS	EXPLANATION
X ADJUST	+2.00MILLIMETER ~ 0.00MILLIMETER ~ -2.00MILLIMETER	Adjusts the position of a whole print image in the direction perpendicular to the direction the paper runs, that is horizontally, in 0.25 mm increments. Any parts of the print image that are outside the printable area as a result of this shift will be cropped.
Y ADJUST	+2.00MILLIMETER ~ 0.00MILLIMETER ~ -2.00MILLIMETER	Adjusts the position of a whole print image in the direction the paper runs, that is vertically, in 0.25 mm increments. Any parts of the print image that are outside the printable area as a result of this shift will be cropped.
DUPLEX X ADJUST	+2.00MILLIMETER ~ 0.00MILLIMETER ~ -2.00MILLIMETER	When printing the reverse page of a duplex job, adjusts the position of the whole print image in the direction that is perpendicular to the direction the paper runs, that is horizontally, in 0.25 mm increments. Any parts of the print image that are outside the printable area as a result of this shift will be cropped.
DUPLEX Y ADJUST	+2.00MILLIMETER ~ 0.00MILLIMETER ~ -2.00MILLIMETER	When printing the reverse page of a duplex job, adjusts the position of the whole print image in the direction the paper runs, that is vertically, in 0.25 mm increments. Any parts of the print image that are outside the printable area as a result of this shift will be cropped.
DRUM CLEANING	ON OFF	Sets whether to rotate the drum in idle prior to printing in order to reduce any horizontal white lines. CAUTION: Each additional rotation will shorten the ID life by that amount.
HEX DUMP	EXECUTE	Prints out data received from the host PC in hexadecimal Dump. Turning off the power supply switch restores Normal Mode from HEX Dump Mode.

MAINTENANCE MENU

This menu provides access to various printer maintenance functions.

ITEM	SETTINGS	EXPLANATION
MENU RESET	EXECUTE	Resets menus to default settings.
SAVE MENU	EXECUTE	Saves the current menu settings. The last menu executed is saved and the menu previously saved is overwritten and erased. When you press the OK button, the following confirmation message is displayed. ARE YOU SURE? YES/NO If you select NO, the display returns to the previous menu. If you select YES, the current menu settings are stored and the menu is exited.

ITEM	SETTINGS	EXPLANATION
RESTORE MENU	EXECUTE	Changes to the menu setting saved. When you press the OK button, the following confirmation message is displayed. ARE YOU SURE? YES/NO If NO is selected, the previous menu display resumes. If YES is selected, changes made to the menu setting are saved and you exit from the menu. Notes: This cannot be executed when data is printing. This menu item will only show if the menu has been saved previously
POWER SAVE	ENABLE / DISABLE	Enables or disables automatic power save mode. Delay before entering this mode is set in the SYSTEM CONFIGURATION menu.
SLEEP	ENABLE / DISABLE	Sets Enable/Disable of Sleep Mode.
AUTO PW OFF	ENABLE AUTO CONFIG DISABLE	ENABLE: When the printer is not used for a period of time, it turns off the power automatically. AUTO CONFIG: Auto power off is enabled, however, the printer will not turn off the power under the following conditions: > An Ethernet cable is plugged to the network interface connection. Note: The default setting varies depending on the sales area.
PAPER BLACK SET	-2~0~+2	Used for small adjustments when you experience faded print or light specks / streaking in monochrome printing on white paper. Select a higher value to reduce fading, or a lower value to reduce specks or streaking in high density print areas.
PAPER COLOR SET	-2~0~+2	As above, but for color printing.
SMR SETTING	-3~0~+3	Sets a correction value for uneven print quality, to correct print variations caused by variations in temperature and humidity or in print density/frequency.
BG SETTING	-3~0~+3	Sets a correction value for dark-colored paper printing, to correct print variations caused by variations in temperature and humidity or in print density/frequency.

USAGE MENU

This menu is for information only, and provides an indication of total usage of the printer and the expected life left in its consumable items. This is particularly useful if you do not have a full set of replacement consumables to hand and you need to know how soon you will need them.

ITEM	EXPLANATION
TRAY1 COUNT	The total number of pages fed from tray 1.
TRAY2 COUNT	The total number of pages fed from tray 2 (if fitted).
MP TRAY COUNT	The total number of pages fed from the multi purpose tray.
DRUM UNIT LIFE REMAINING	Percentage of image drum life remaining.
BELT LIFE REMAINING	Percentage of belt life remaining.
FUSER LIFE REMAINING	Percentage of fuser life remaining.

ITEM	EXPLANATION
K TONER (n.nK) REMAINING C TONER (n.nK) REMAINING M TONER (n.nK) REMAINING Y TONER (n.nK) REMAINING	Cartridge size and current toner level.

ADMINISTRATOR MENU

This menu should only be changed by the System Administrators. In order to gain access to this menu, follow the instructions in ["How to change the settings - administrator"](#) on page 39.

This menu is in **ENGLISH** only.

ITEM		SETTINGS	EXPLANATION
ENTER PASSWORD		xxxxxxxxxxxx	Enter a password to gain entry to the Admin menu. Password should be from 6 to 12 digits of alpha/numeric characters (or mix) The default value is "aaaaaa"
OP MENU	ALL CATEGORY	ENABLE DISABLE	Set up ENABLE/DISABLE condition for all categories in USERS MENU.
	PRINT JOBS MENU	ENABLE DISABLE	Set up ENABLE/DISABLE condition for PRINT JOB MENU category. If DISABLE is selected, PRINT JOBS MENU category of USERS MENU will not appear. Display Condition: SD card must be installed.
	INFORMATION MENU	ENABLE DISABLE	Set up ENABLE/DISABLE condition for INFORMATION MENU category. If DISABLE is selected, INFORMATION MENU category of USERS MENU will not appear.
	PRINT MENU	ENABLE DISABLE	Set up ENABLE/DISABLE condition for PRINT MENU category. If DISABLE is selected, PRINT MENU category of USERS MENU will not appear.
	MEDIA MENU	ENABLE DISABLE	Set up ENABLE/DISABLE condition for MEDIA MENU category. If DISABLE is selected, MEDIA MENU category of USERS MENU will not appear.
	COLOR MENU	ENABLE DISABLE	Set up ENABLE/DISABLE condition for COLOR MENU category. If DISABLE is selected, COLOR MENU category of USERS MENU will not appear.
	SYS CONFIG MENU	ENABLE DISABLE	Set up ENABLE/DISABLE condition for SYS.CONFIG MENU category. If DISABLE is selected, SYS.CONFIG MENU category of USERS MENU will not appear.
	PCL EMULATION	ENABLE DISABLE	Set up ENABLE/DISABLE condition for PCL EMULATION category. If DISABLE is selected, PCL EMULATION category of USERS MENU will not appear.
	PPR EMULATION	ENABLE DISABLE	Set up ENABLE/DISABLE condition for PPR EMULATION category. If DISABLE is selected, PPR EMULATION category of USERS MENU will not appear.

ITEM		SETTINGS	EXPLANATION
OP MENU (cont.)	FX EMULATION	ENABLE DISABLE	Set up ENABLE/DISABLE condition for FX EMULATION category. If DISABLE is selected, FX EMULATION category of USERS MENU will not appear.
	USB MENU	ENABLE DISABLE	Set up ENABLE/DISABLE condition for USB MENU category. If DISABLE is selected, USB MENU category of USERS MENU will not appear.
	NETWORK MENU	ENABLE DISABLE	Set up ENABLE/DISABLE condition for NETWORK MENU category. If DISABLE is selected, NETWORK MENU category of USERS MENU will not appear.
	MEMORY MENU	ENABLE DISABLE	Set up ENABLE/DISABLE condition for MEMORY MENU category. If DISABLE is selected, MEMORY MENU category of USERS MENU will not appear.
	SYS ADJUST MENU	ENABLE DISABLE	Set up ENABLE/DISABLE condition for SYS.ADJUST MENU category. If DISABLE is selected, SYS.ADJUST MENU category of USERS MENU will not appear.
	MAINTENANCE MENU	ENABLE DISABLE	Set up ENABLE/DISABLE condition for MAINTENANCE MENU category. If DISABLE is selected, MAINTENANCE MENU category of USERS MENU will not appear.
	USAGE MENU	ENABLE DISABLE	Set up ENABLE/DISABLE condition for USAGE MENU category. If DISABLE is selected, USAGE MENU category of USERS MENU will not appear.
CONFIG. MENU	NEARLIFE STATUS	ENABLE DISABLE	Set LCD panel control at the time of near-life warning for drum, fuser and belt. Enable: Display a near-life warning. Disable: Do not display a near-life warning.
	LIFE WARNING	ENABLE DISABLE	If DISABLE is selected, the printer does not display life warning after cover opening and closing. Display Condition: NEARLIFE STATUS is set to DISABLE.
	NEARLIFE LED	ENABLE DISABLE	Enables/disables illumination of front panel LED when "near-end-of-life" warning of a toner, drum, fuser, or belt occurs. Attention LED is lit when setting is enabled, inhibited when disabled.
	ECO MODE	ON OFF	When ON, if the machine is in power save mode and you send a small print job (1 or 2 pages), the machine will print the job without warming the fuser to the "normal" operating temperature beforehand. When you change the setting and exit the Admin Menu, the machine will power cycle then the following message is displayed "PLEASE POWER OFF/ON". Switch the power off then turn the machine back on.

ITEM		SETTINGS	EXPLANATION
	HIGH HUM. MODE	ON OFF	If moistened paper (*) is curled significantly after printing, change the setting to ON. After ON is selected, the warm-up time before printing may take a little longer. (*) Moistened paper means paper that has been left in a high humidity environment.
SECURITY MENU	JOB LIMITATION	OFF ENCRYPTED JOB	Job limitation mode control. Jobs other than specified ones are rejected.
	MAKE SECURE SD-M	EXECUTE	SD Card encoding function is made effective. Formation of the cipher key and encoding function (security mode) information is turned on. At the same time, it initializes the SD card. After execution, the following confirmation messages will appear. Are You Sure? Yes No If No is selected, the display will return to the previous menu. If Yes is selected, the printer will be automatically rebooted and the encoding function will become effective. Display Conditions: SD Card is installed, SD Card encoding function invalidity and Storage Setup > Enable Initialization > Yes
	MAKE NORMAL SD-M	EXECUTE	SD Card encoding function is set to invalid. Deletion of the cipher key and encoding function (security mode) information is turned off. At the same time, it initializes the SD card. After execution, the following confirmation messages will appear. Are You Sure? Yes No If No is selected, the display will return to the previous menu. If Yes is selected, the printer will be automatically rebooted and the encoding function will become invalid. Display Conditions: SD Card is installed, SD Card encoding function invalidity and Storage Setup > Enable Initialization > Yes

ITEM		SETTINGS	EXPLANATION
SECURITY MENU (cont.)	RESET CIPHER KEY	EXECUTE	<p>Resets a cipher key to be used on an encrypted SD card.</p> <p>When this processing is done, all data stored on the SD card cannot be restored.</p> <p>After execution, the following confirmation messages will appear.</p> <p>Are You Sure?</p> <p>Yes</p> <p>No</p> <p>If No is selected, the display will return to the previous menu.</p> <p>If Yes is selected, the printer will be automatically rebooted and the resetting of the cipher key will be executed.</p> <p>Display Conditions:</p> <ul style="list-style-type: none"> > SD Card implementation > An encrypted SD card function is enabled.
FILE SYS MAINTE1	SD-M INITIALIZE	EXECUTE	<p>Initializes the SD Card to the factory default setting. Machine performs partition-division, and initializes each partition.</p> <p>When this menu is executed, the following confirmation message appears.</p> <p>ARE YOU SURE?</p> <p>YES/NO</p> <p>If "NO" is selected, the display will go back to the source menu. If "YES" is selected, the printer will automatically reboot and execute SD card initialisation.</p> <p>This item is displayed only if the SD card (option) is installed.</p>
	PARTITION SIZE	EXECUTE	<p>The screen will display the SD card partition size.</p> <p>This item is displayed only if the SD card (option) is installed.</p>
	SD-M FORMATTING	PCL COMMON PSE	<p>Format the specified partition. Press the OK button and the following message displays.</p> <p>ARE YOU SURE?</p> <p>YES/NO</p> <p>If NO is selected, the display will go back to the source menu. If YES is selected, the printer will automatically reboot and initialise the specified partition.</p> <p>This item is displayed only if the SD card (option) is installed.</p>
	FLASH INITIALIZE	EXECUTE	<p>Initialises the resident FLASH MEMORY.</p> <p>If NO is selected, the machine will go back to the source menu.</p> <p>If YES is selected, the machine will be automatically rebooted and initialize the FLASH memory.</p>

ITEM		SETTINGS	EXPLANATION
FILE SYS MAINTE2	CHK FILE SYS	EXECUTE	<p>Executing this function will resolve any mismatch between the actual and the displayed free space of the file system and recover the management data (FAT information).</p> <p><i>Note 1: It takes several seconds to complete this function.</i></p> <p><i>Note 2: This item is displayed only if the SD card (option) is installed.</i></p>
	CHK ALL SECTORS	EXECUTE	<p>Performs recovery of defective SD Card sector information and a file system mismatch mentioned above.</p>
	SD CARD	ENABLE DISABLE	<p>Even if a machine is inoperable at installation because of a faulty SD Card, the machine can be made operable by setting this parameter to No (ignores the existence of the SD Card).</p> <p>When No is set, access to the SD Card results in FAIL because the SD Card is regarded as not attached.</p> <p>After setting change and exit from the menu, the printer will restart.</p> <p>This item is displayed only if the SD card (option) is installed.</p>
	SD CARD ERASE	EXECUTE	<p>Deletion of all data stored in the SD Card. Data cannot be recovered. The printer will restart after changing the setup menu.</p> <p>The progress of the procedure is displayed as a percentage.</p> <p>The following message appears after pressing the OK button.</p> <p>ARE YOU SURE? YES/NO</p> <p>If NO is selected, the display will go back to the source menu, and the procedure for clearing the disk will start again immediately after the reboot.</p> <p>if YES is selected.</p> <p>The following message appears if the CANCEL button is pressed.</p> <p>DO YOU CANCEL? YES/NO</p> <p>If NO is selected, the procedure will continue.</p> <p>If YES is selected, the procedure will discontinue and the printer will restart after formatting the SD card.</p> <p>This item is displayed only if the SD card (option) is installed.</p>
INITIAL LOCK	YES NO	<p>If "YES" is selected, you will not be able to select "ADMIN MENU" - "FILE SYS MAINTE1" (above).</p>	

ITEM		SETTINGS	EXPLANATION
LANGUAGE MENU	LANG INITIALIZE	EXECUTE	Initialise the message file loaded in FLASH MEMORY. If NO is selected, the machine will go back to the source menu. The procedure for clearing the disk will start immediately after the menu and machine reboot.
PS MENU	L1 TRAY	TYPE1 TYPE2	Switches between Postscript types
SIDM MENU	SIDM MANUAL ID#	0 ~ 2 ~ 9	Set up Pn specified in MANUAL by MANUAL-1 ID No.FX/PPR Emu in CSFcontrol command fi(ESC EM Pn).
	SIDM MANUAL2 ID#	0 ~ 3 ~ 9	Set up Pn specified MANUAL by MANUAL-2 ID No.FX/PPR Emu in CSF control command(ESC EM Pn).
	SIDM MP TRAY ID#	0 ~ 4 ~ 9	Set up Pn specified TRAYO(MP Tray) by MP Tray ID No.FX/PPR Emu in CSF control command(ESC EM Pn).
	SIDM TRAY1 ID#	0 ~ 1 ~ 9	Set up Pn specified TRAY 1by Tray 1 ID No.FX/PPR Emu in CSF control command(ESC EM Pn).
	SIDM TRAY2 ID#	0 ~ 5 ~9	Set up Pn specified TRAY 2 by Tray 2 ID No.FX/PPR Emu in CSF control command (ESC EM Pn).
CHANGE PASSWORD	NEW PASSWORD	xxxxxxxxxxxx	Set a new password for entering the administrator's menu. Password should be from 6 to 12 digits of alpha/numeric characters (or mix) The default value is "aaaaaa" The printer will restart after the ADMIN MENU.
	VERIFY PASSWORD	xxxxxxxxxxxx	Verification of above.

PRINT STATISTICS

This menu should only be changed by the System Administrators. In order to gain access to this menu, follow the instructions in ["How to change the settings - administrator" on page 39](#), but hold down the **Menu** button instead of the **OK** button. In this case, the default password is **0000**.

This menu is in **ENGLISH** only.

ITEM		SETTING	EXPLANATION
ENTER PASSWORD		nnnn	Enters a password to enter Print Statistics menu. The default password is "0000." "Print Statistics" category is not shown when Print Statistics function is not supported.
USAGE REPORT		ENABLE/ DISABLE	Enables/Disables the printing of the Usage Report. When changing a setting value, the printer is rebooted.
GROUP COUNTER		ENABLE/ DISABLE	Specifies if the Group counter is displayed in the Usage Report Print. Enable: Displayed, Disable: Not displayed. Conditions for display: Enable must be selected in Print Statistics > Usage Report .
SUPPLIES REPORT		ENABLE/ DISABLE	Indication of frequency of consumable exchange/non indication is set. When Enable is set, also the maintenance counter is indicated in together. Conditions for display: Enable must be selected in Print Statistics > Usage Report .
RST MAIN CNT		EXECUTE	Zeros the counter
CHANGE PASSWORD	NEW PASSWORD	****	Sets a new password to enter Print Statistics menu.
	VERIFY PASSWORD	****	Verifies the change

MAINTENANCE

REPLACING CONSUMABLE ITEMS

Only use genuine original consumables to ensure the best quality and performance from your hardware. Non original products may adversely affect your printer's performance and invalidate your warranty.

TONER CARTRIDGE REPLACEMENT

NOTE

When the LCD display indicates TONER LOW, or if print appears faded, first open the top cover and try tapping the cartridge a few times to evenly distribute the toner powder. This will enable you to obtain the best "yield" from your toner cartridge.

CAUTION!

To avoid toner wastage and possible toner sensor errors, do not change the toner cartridge(s) until "TONER EMPTY" is displayed.

The toner used in this printer is a very fine dry powder. It is contained in four cartridges: one each for cyan, magenta, yellow and black.

Have a sheet of paper handy so that you have somewhere to place the used cartridge while you install the new one.

Dispose of the old cartridge responsibly, inside the pack that the new one came in. Follow any regulations, recommendations, etc., which may be in force concerning waste recycling.

If you do spill any toner powder, lightly brush it off. If this is not enough, use a cool, damp cloth to remove any residue.

Do not use hot water, and never use solvents of any kind. They will make stains permanent.

WARNING!

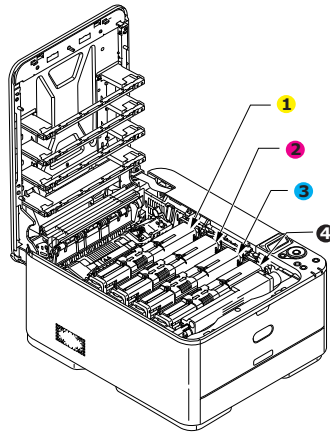
If you inhale any toner or get it in your eyes, drink a little water or bathe your eyes liberally in cold water. Seek medical attention immediately.

1. Press the cover release and open the printer's top cover fully.

WARNING!

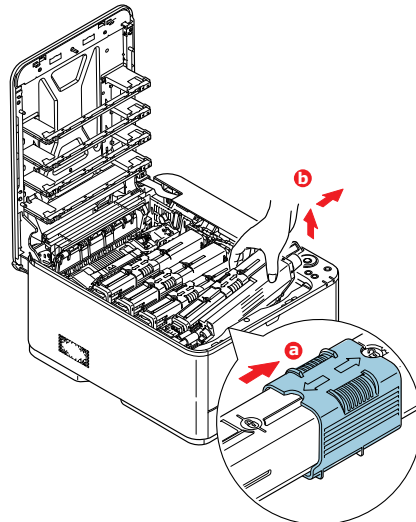
If the printer has been powered on, the fuser will be hot. This area is clearly labelled. Do not touch.

- 2.** Note the positions of the four cartridges. It is essential that they go back in the same order.



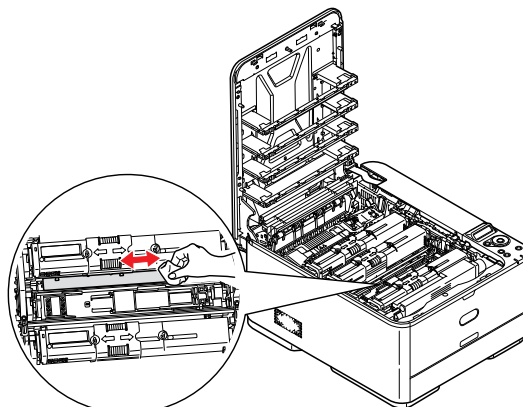
1. Yellow cartridge 2. Magenta cartridge
3. Cyan cartridge 4. Black cartridge

- (a) Slide the colored release collar on the cartridge to be replaced fully towards the right hand side of the printer.

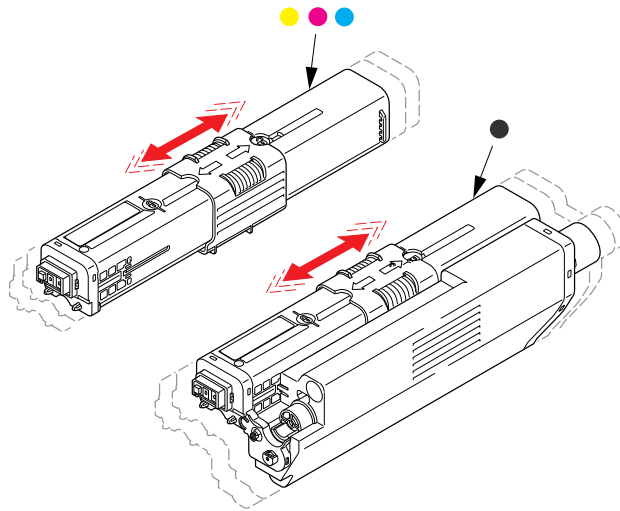


- (b) Lift the right-hand end of the cartridge and then draw the cartridge to the right to release the left-hand end as shown, and withdraw the toner cartridge out of the printer.

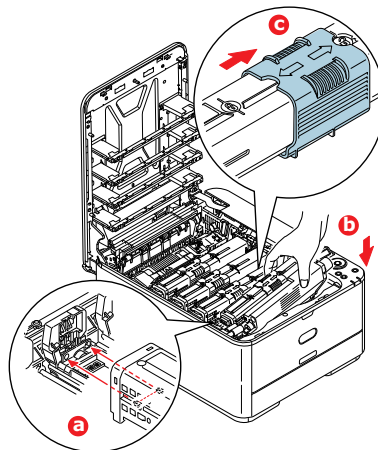
- 3.** Put the cartridge down gently onto a piece of paper to prevent toner from marking your furniture.
- 4.** Clean the top of the ID unit with a clean, lint free cloth.



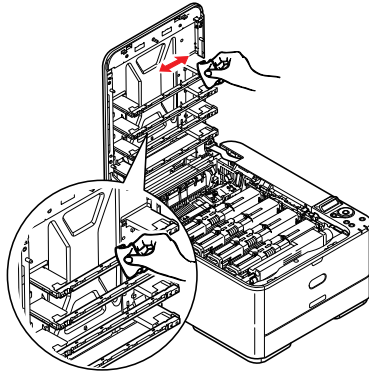
5. Remove the new cartridge from its box but leave its wrapping material in place for the moment.
6. Gently shake the new cartridge from end to end several times to loosen and distribute the toner evenly inside the cartridge.



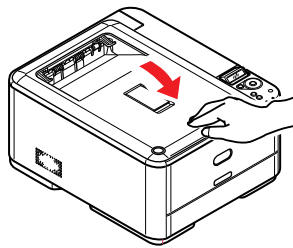
7. Remove the wrapping material.
8. Holding the cartridge by its top centre, lower it into the printer over the image drum unit from which the old cartridge was removed.
9. Insert the left end of the cartridge into the top of the image drum unit first, pushing it against the spring on the drum unit, then lower the right end of the cartridge down onto the image drum unit.
10. Pressing gently down on the cartridge to ensure that it is firmly seated, slide the colored collar fully towards the left hand side of the printer. This will lock the cartridge into place and release toner into the image drum unit.



- 11.** Gently wipe the LED head surface with a clean, lint free cloth.



- 12.** Finally, close the top cover and press down firmly at both sides so that the cover latches closed.



REPLACING THE TRANSFER BELT UNIT

The belt unit is located under the image drum assembly.

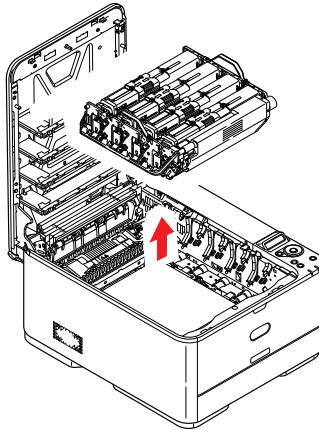
Switch off the printer and allow the fuser to cool for about 10 minutes before opening the cover.

1. Press the cover release and open the printer's top cover fully.

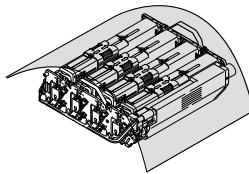
WARNING!

If the printer has been powered on, the fuser will be hot. This area is clearly labelled. Do not touch.

2. Holding it by its handles, lift the image drum assembly, complete with toner cartridges, up and out of the printer.



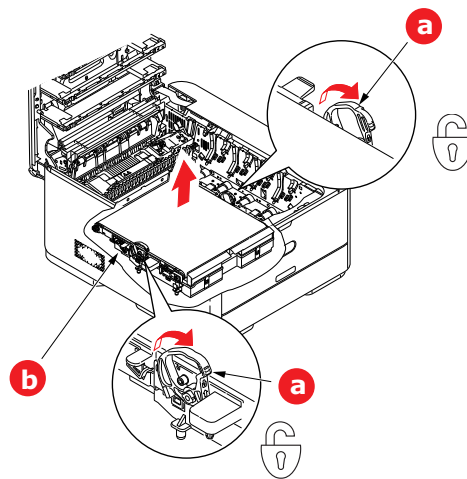
3. Place the assembly in a safe place away from direct sources of heat and light.



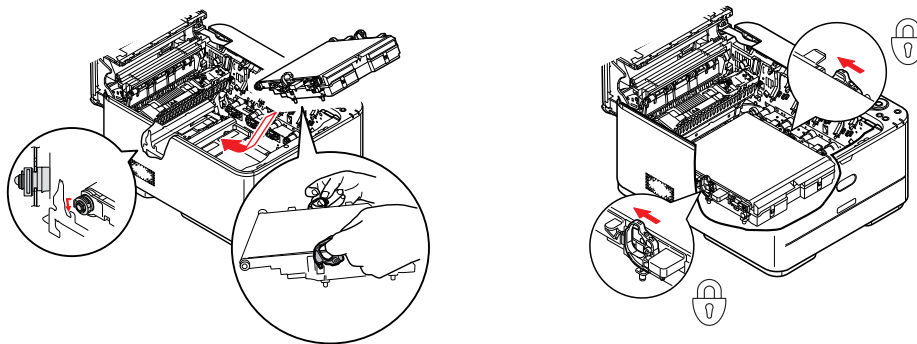
CAUTION!

The green image drum surface at the base of each cartridge is very delicate and light sensitive. Do not touch it and do not expose it to normal room light for more than 5 minutes. If the drum unit needs to be out of the printer for longer than this, please wrap the cartridge inside a black plastic bag to keep it away from light. Never expose the drum to direct sunlight or very bright room lighting.

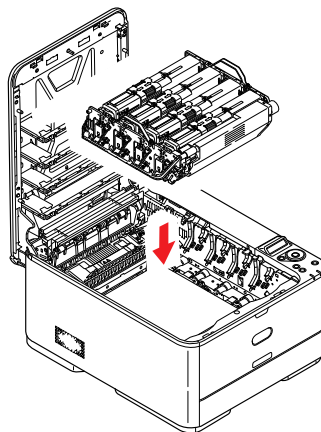
4. Pull the locking levers at each side of the transfer belt up and towards the front of the machine.



5. Using the locking levers (a), lift the belt (b) upwards and withdraw from the machine.
6. Lower the new belt unit into place, with the drive gear towards the rear of the printer. Locate the drive gear into the gear inside the printer by the rear right corner of the unit, and lower the belt unit flat inside the printer.



7. Push the locking levers towards the rear of the machine. This will secure the belt unit in place.
8. Holding the image drum assembly by its handles, lower it into place in the machine, locating the pegs at the sides into their slots in the sides of the printer cavity.



9. Finally, close the top cover and press down firmly at both sides so that the cover latches closed.

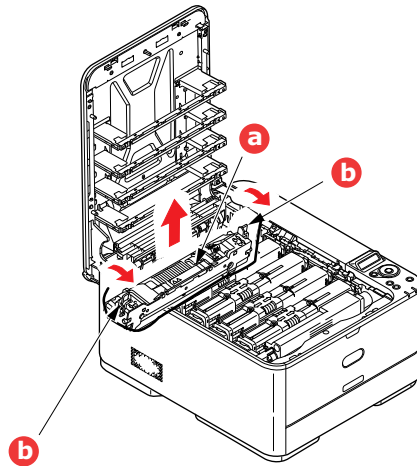
FUSER REPLACEMENT

The fuser is located inside the printer just behind the toner cartridges.

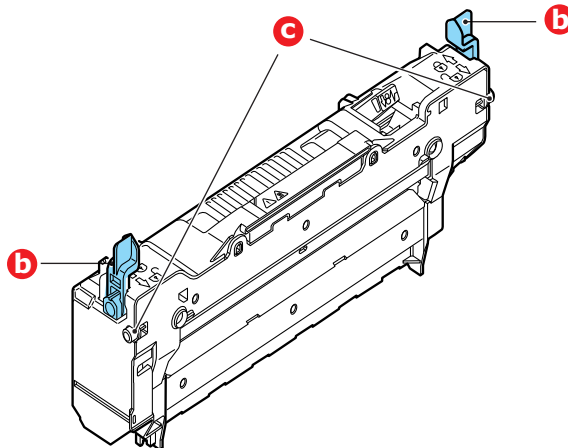
WARNING!

If the printer has recently been powered on, some fuser components will be very hot. Handle the fuser with extreme care, holding it only by its handle, which will only be mildly warm to the touch. A warning label clearly indicates the area. If in doubt, switch the printer off and wait at least 10 minutes for the fuser to cool before opening the printer cover.

1. Press the cover release and open the printer's top cover fully.
2. Identify the fuser handle (a) on the top of the fuser unit.

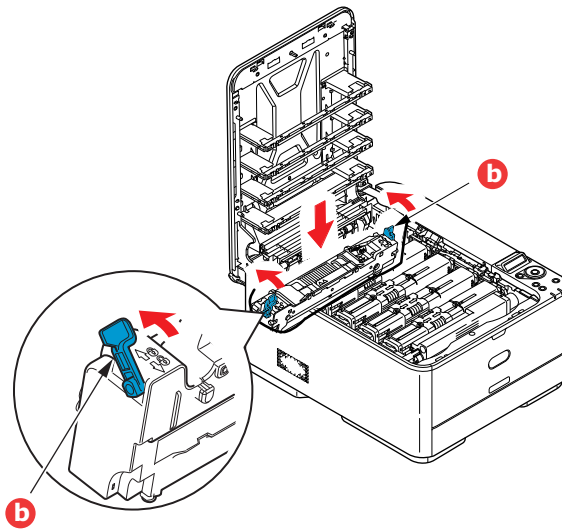


3. Pull the two fuser retaining levers (b) towards the front of the printer so that they are fully upright.
4. Holding the fuser by its handle (a), lift the fuser straight up and out of the printer. If the fuser is still warm, place it on a flat surface which will not be damaged by heat.
5. Remove the new fuser from its packaging and remove the transit material.
6. Holding the new fuser by its handle, make sure that it is the correct way round. The retaining levers (b) should be fully upright, and the two locating lugs (c) should be towards you.



7. Lower the fuser into the printer, locating the two lugs (c) into their slots in the sides of the printer cavity.

8. Push the two retaining levers (b) towards the rear of the printer to lock the fuser in place.



9. Finally, close the top cover and press down firmly at both sides so that the cover latches closed.

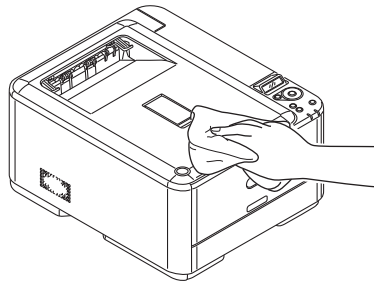
CLEANING

CAUTION!

Use a clean, moist, lint-free cloth for cleaning. Do not use benzine, thinners or alcohol as a cleaning agent.

...THE UNIT CASING

1. Switch the printer off.
2. Wipe the unit surface with a soft cloth moistened sparingly with water or neutral detergent.



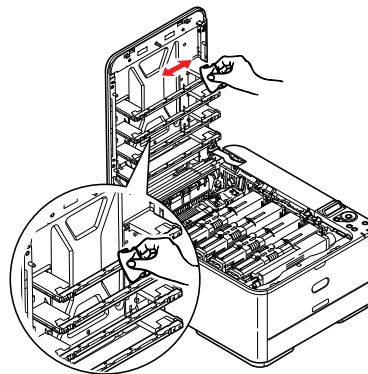
3. Use a soft dry cloth to dry the unit surface.
4. Switch the printer on.

...THE LED HEAD

Clean the LED heads when printing does not come out clearly, has white lines or when text is blurred.

There is no need to switch off the printer to clean the lens.

1. Press the cover release and open the printer's top cover fully.
2. Gently wipe the LED head surface with a clean, lint free cloth.



CAUTION!

Do not use methyl alcohol or other solvents on the LED head as damage to the lens surface will occur.

3. Close the top cover and press down firmly at both sides so that the cover latches closed.

INSTALLING UPGRADES

This section explains how to install optional equipment into your printer. This includes:

- > additional RAM memory (**C321, C331 and C531/ES5431 only**)
- > SD card (**C531/ES5431 only**)
- > additional paper tray

MEMORY UPGRADE (C321, C331 AND C531/ES5431 ONLY)

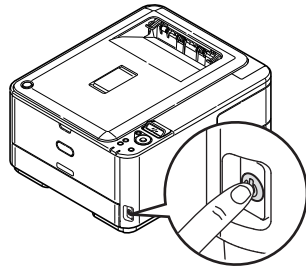
The basic printer models comes equipped with the following main memory:

- > **C321, C331:** 128MB
- > **C531/ES5431:** 256MB

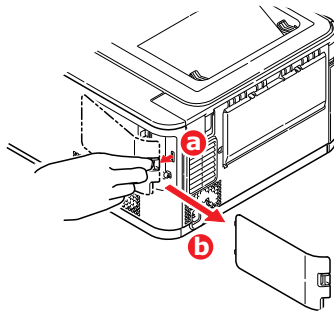
This can be upgraded with an additional memory board of 256MB or 512MB, giving a maximum total memory capacity of:

- > **C321, C331:** 640MB
- > **C531/ES5431:** 768MB

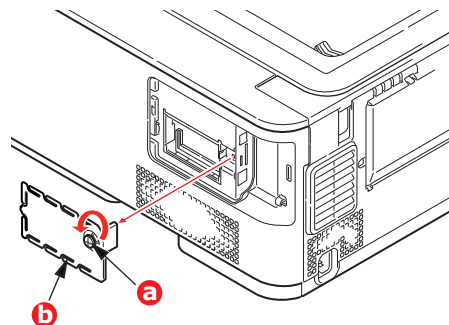
1. Switch the printer off and disconnect the AC power cable.



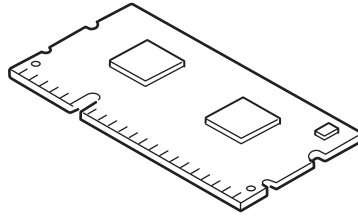
2. Remove the outer access cover and place it safely to one side.



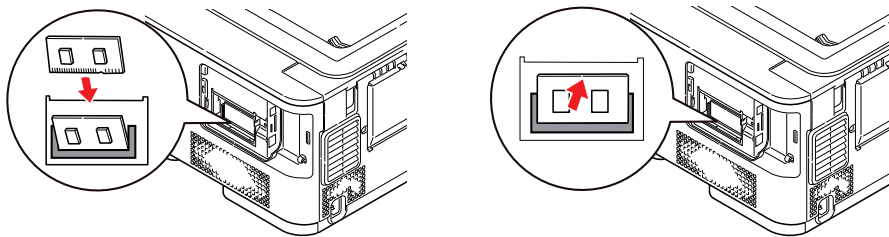
3. Turn locking screw (a) anti-clockwise and remove the inner access cover (b). Place it safely to one side.



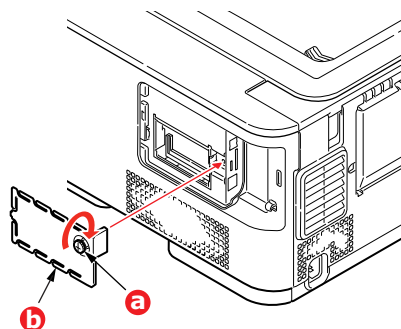
4. Carefully remove the new memory board from its wrapping. Try to handle the board only by its short edges, avoiding contact with any metal parts as far as possible. In particular, avoid touching the edge connector.
5. Notice that the memory board has a small cutout in the edge connector, which is closer to one end than the other.



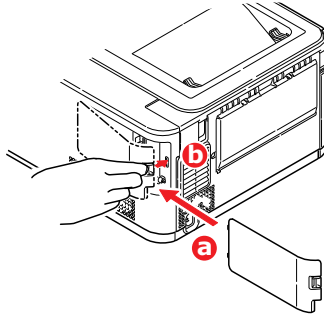
6. Identify the RAM expansion slot in the printer.
7. If the RAM expansion slot already contains a memory upgrade board, that board will have to be removed before you can install the new one. To remove it, proceed as follows, otherwise skip to step 8.
 - (a) Release retaining clips and pull the board out of the slot.
 - (b) Place the removed memory board in the antistatic bag which originally contained the new memory board.
8. Hold the new memory board by its short edges, so that the edge connector faces in towards the RAM expansion slot, and the small cutout is closer to the rear of the printer.
9. Gently push the board into the RAM expansion slot until it latches in and will not go any further.



10. Replace the inner access cover (b) and turn locking screw (a) clockwise to secure it shut.



11. Replace the access cover and latch it closed.



12. Reconnect the AC power cable and switch the printer on.

13. When the printer is ready, print a menu map as follows:

- (a) Press the **OK** button.
- (b) Press the **Menu down** button then the **OK** button to select the **INFORMATION MENU**.
- (c) Press the **OK** button to select **PRINT MENU MAP**.
- (d) Press the **OK** button once more to execute.
- (e) When the Configuration map is printed, press **ON LINE** to exit the menu system.

14. Examine the first page of the menu map.

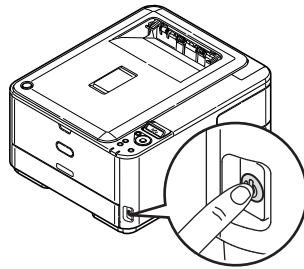
Near the top of the page, between the two horizontal lines, you will see the current printer configuration. This list contains the figure for total memory size.

This should indicate the total memory now installed.

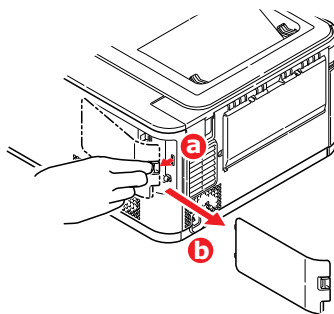
SD CARD (C531/ES5431 ONLY)

The optional SD card enables collating of printed pages and can be used to store overlays and macros, fonts, and secure or proof documents waiting to be printed.

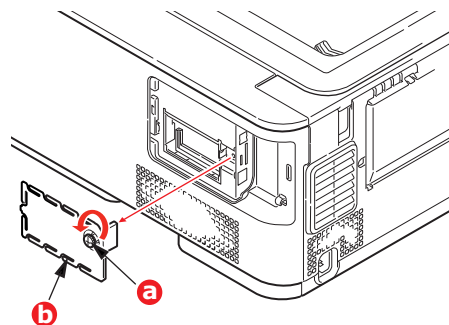
1. Switch the printer off and disconnect the AC power cable.



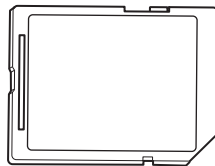
2. Remove the outer access cover and place it safely to one side.



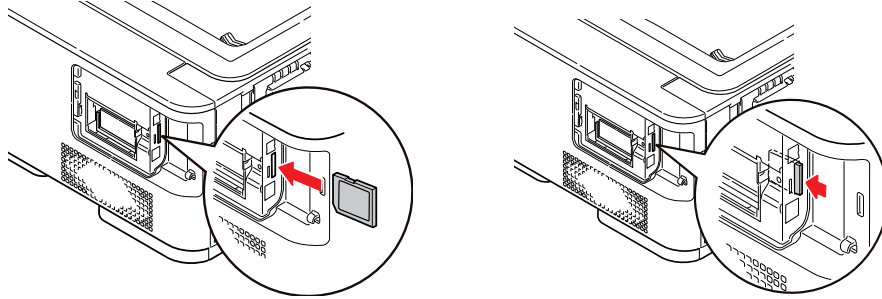
3. Turn locking screw (a) anti-clockwise and remove the inner access cover (b). Place it safely to one side.



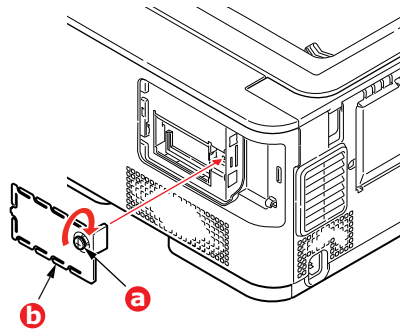
4. Notice that the SD card has one chamfered corner.



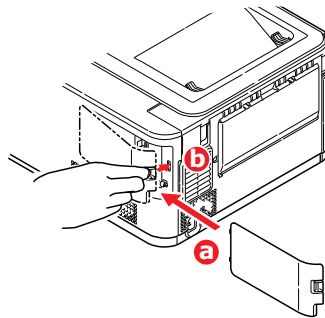
5. Gently push the SD card into the slot as shown.



6. Replace the inner access cover (b) and turn locking screw (a) clockwise to secure it shut.



7. Replace the access cover and latch it closed.

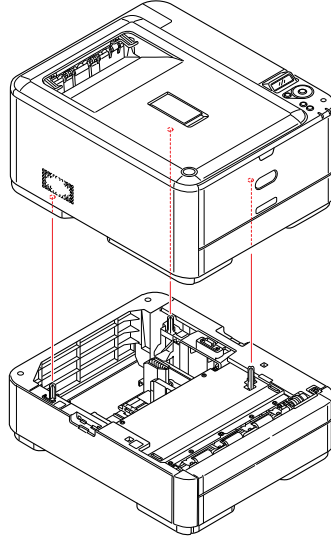


8. Reconnect the AC power cable and switch the printer on.
9. When the printer is ready, print a menu map as follows:
- (a) Press the **OK** button.
 - (b) Press the **Menu down** button then the **OK** button to select the **INFORMATION MENU**.
 - (c) Press the **OK** button to select **PRINT MENU MAP**.
 - (d) Press the **OK** button once more to execute.
 - (e) When the Configuration map is printed, press **ON LINE** to exit the menu system.
10. Examine the first page of the menu map.

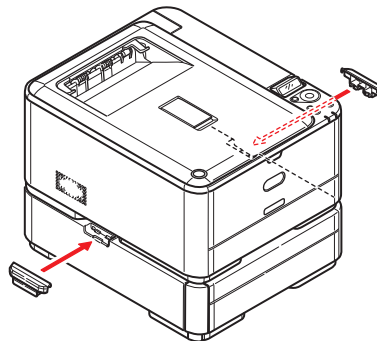
Near the top of the page, between the two horizontal lines, you will see the current printer configuration. This should now indicate that the SD card is installed.

ADDITIONAL PAPER TRAY

1. Switch the printer off and disconnect the AC power cable.
2. Place additional paper tray on desired location.
3. Observing safety rules for lifting and, using locating guides, place printer on top of the additional paper tray.



4. Fit retaining clips as shown.



5. Re-connect the AC power cable and switch the printer ON.

All that remains is to adjust the printer driver to make full use of the new features (["Setting the driver device options" on page 79](#)).

SETTING THE DRIVER DEVICE OPTIONS

Once your new upgrade has been installed, you may need to update the printer driver so that the additional features are available to your applications.

Accessories such as additional paper trays will only be usable if the printer driver on your computer knows they are there.

In some cases the hardware configuration of your machine is automatically detected when the driver is installed. However, it is advisable to at least check whether all of the available hardware features are listed in the driver.

This procedure is essential if you subsequently add extra hardware features to your machine after the drivers have been installed and set up.

Remember that if your machine is shared between users on different computers, the driver must be adjusted on each user's machine.

WINDOWS

1. Access the driver's Properties window.
 - (a) Open the Printers window (called "Printers and Faxes" in Windows XP) via the Start Menu or from the Windows Control Panel.
 - (b) Right-click the icon for this machine, and choose **Properties** from the pop-up menu.
2. Select the **Device Options** tab.
In the Windows XP PostScript driver the tab may be called **Device Settings**.
3. Set the options for any devices you have just installed.
4. Click **OK** to close the window and save your changes.

MAC OS X

NOTE
Applies to the PS driver only.

Lion (Mac OS X 10.7), Snow Leopard (Mac OS X 10.6) and Leopard (Mac OS X 10.5)

1. Open the Mac OS X Print & Fax Preferences.
2. Ensure your machine is selected.
3. Click **Options & Supplies**.
4. Click **Driver**.
5. Select all hardware options appropriate to your machine and click **OK**.

Tiger (Mac OS X 10.4)

1. Open the Mac OS X Print & Fax Preferences.
2. Ensure your machine is selected.
3. Click **Printer Setup....**
4. Click the menu and choose **Installable Options....**
5. Select all hardware options appropriate to your machine and click **Apply Changes....**

Panther (Mac OS X 10.3)

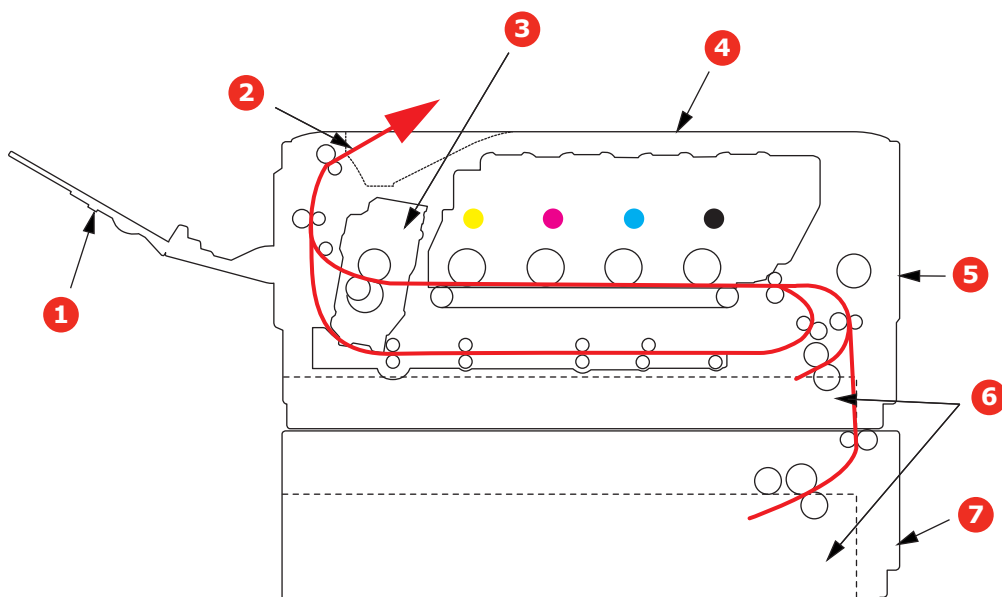
- 1.** Open the Mac OS X Print & Fax Preferences.
- 2.** Click **Printing**.
- 3.** Click **Set Up Printers....**
- 4.** Ensure your machine is selected and click **Show Info....**
- 5.** Click the menu and choose **Installable Options....**
- 6.** Select all hardware options appropriate to your machine and click **Apply Changes....**

TROUBLESHOOTING

Provided that you follow the recommendations in this guide on the use of print media, and you keep the media in good condition prior to use, your printer should give years of reliable service. However, paper jams occasionally do occur, and this section explains how to clear them quickly and simply.

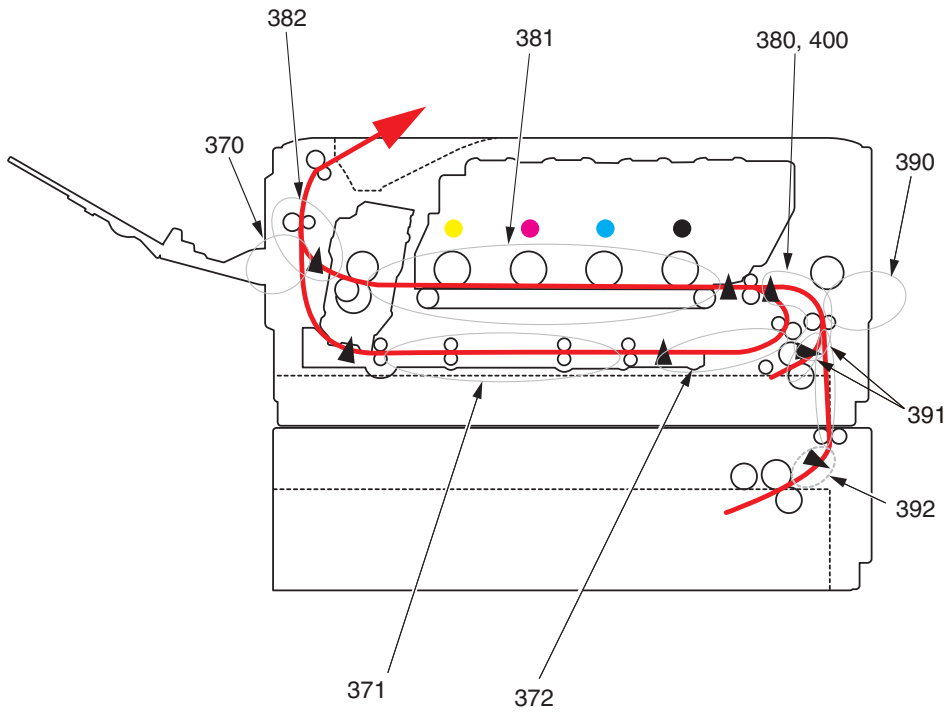
Jams can occur due to paper misfeeding from a paper tray or at any point on the paper path through the printer. When a jam occurs, the printer immediately stops, and the Attention LED on the control panel informs you of the event. If printing multiple pages (or copies), do not assume that, having cleared an obvious sheet, others will not also be stopped somewhere along the path. These must also be removed in order to clear the jam fully and restore normal operation.

MAJOR PRINTER COMPONENTS AND PAPER PATH



- | | |
|---------------------|--------------------------------------|
| 1. Face-up stacker. | 5. Front cover. |
| 2. Paper exit. | 6. Paper tray. |
| 3. Fuser unit | 7. Additional paper tray (if fitted) |
| 4. Top cover. | |

PAPER SENSOR ERROR CODES



CODE #	LOCATION	CODE #	LOCATION
370	Duplex	390	MP Tray
371	Duplex	391	Paper Tray
372	Duplex	392	2 nd Paper tray ^a
380	Paper feed	400	Paper size
381	Paper path	409	Face up stacker (sensor not shown)
382	Paper exit		

a. If fitted.

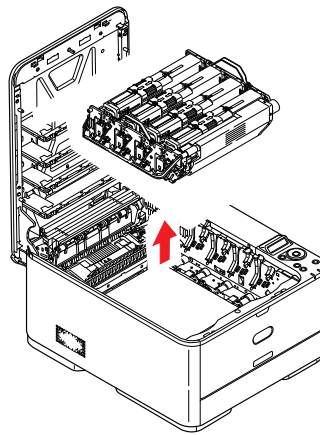
CLEARING PAPER JAMS

1. If a sheet is well advanced out of the top of the printer, simply grip it and pull gently to draw it fully out. If it does not remove easily, do not use excessive force. It can be removed from the rear later.
2. Press the cover release and open the printer's top cover fully.

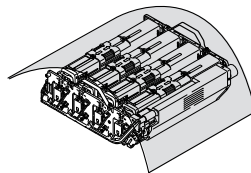
WARNING!

If the printer has been powered on, the fuser will be hot. This area is clearly labelled. Do not touch.

3. Holding it by its handles, lift the image drum assembly, complete with the toner cartridges, up and out of the printer.



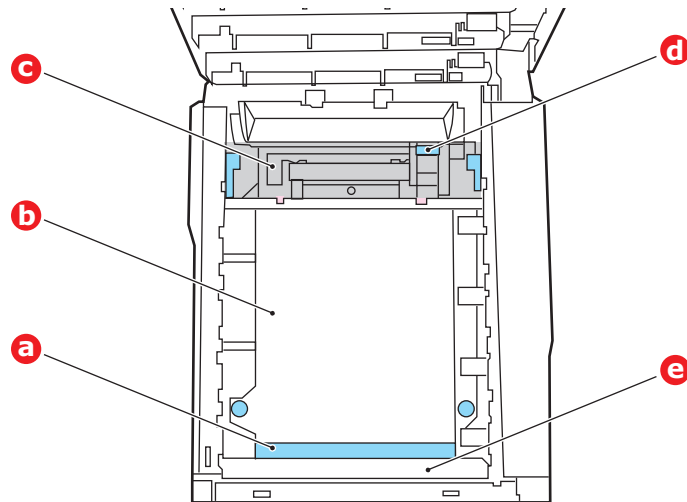
4. Put the assembly down gently onto a piece of paper to prevent toner from marking your furniture and to avoid damaging the green drum surface, and cover.



CAUTION!

The green image drum surface at the base of the Image Drum is very delicate and light sensitive. Do not touch it and do not expose it to normal room light for more than 5 minutes. If the drum unit needs to be out of the printer for longer than this, please wrap the cartridge inside a black plastic bag to keep it away from light. Never expose the drum to direct sunlight or very bright room lighting.

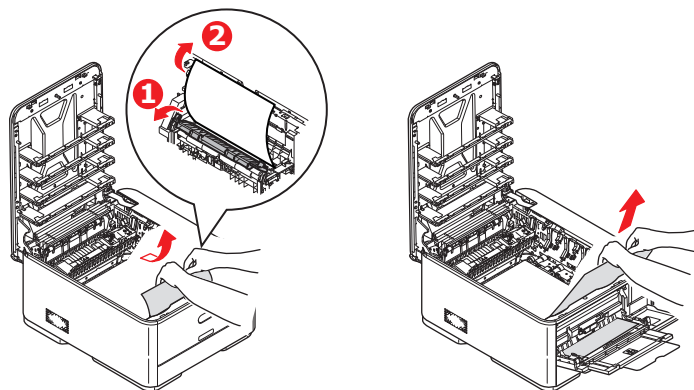
5. Look into the printer to check whether any sheets of paper are visible on any part of the belt unit.



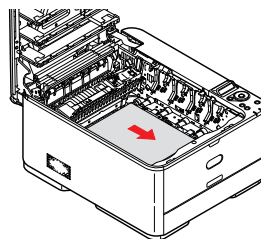
CAUTION!

Do not use any sharp or abrasive objects to separate sheets from the belt. This may damage the belt surface.

- (a) To remove a sheet with its leading edge at the front of the belt (a), lift the plastic guard (e) at the front of the printer, then carefully lift the sheet from the belt and pull it forwards into the internal drum cavity and withdraw the sheet.

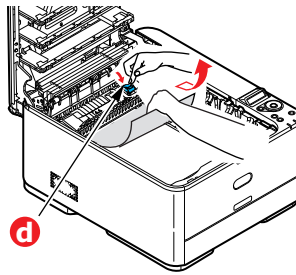


- (b) To remove a sheet from the central area of the belt (b), carefully separate the sheet from the belt surface and withdraw the sheet.



- (c) To remove a sheet just entering the fuser (c), separate the trailing edge of the sheet from the belt, push the fuser pressure release lever (d) towards the front and down to release the fuser's grip on the sheet, and withdraw the sheet

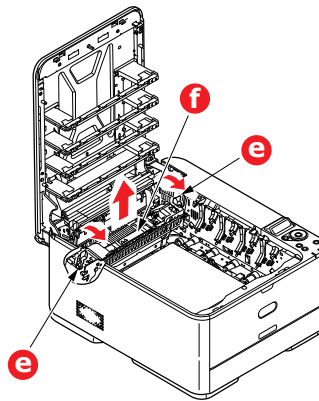
through the drum cavity area. Then allow the pressure release lever to rise again.



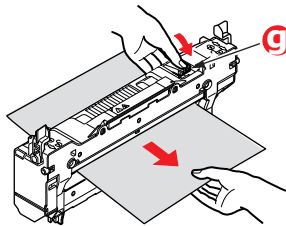
NOTE

If the sheet is well advanced into the fuser (only a short length is still visible), do not attempt to pull it back.

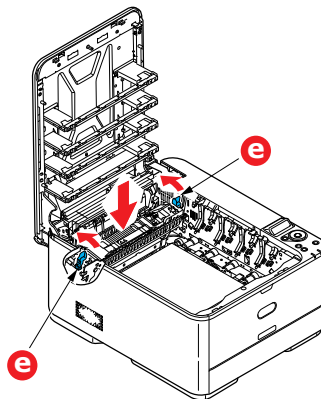
- (d) To remove a sheet in the fuser, move the two retaining levers (e) towards the front of the machine to release the fuser. Withdraw the fuser unit using the handle (f).



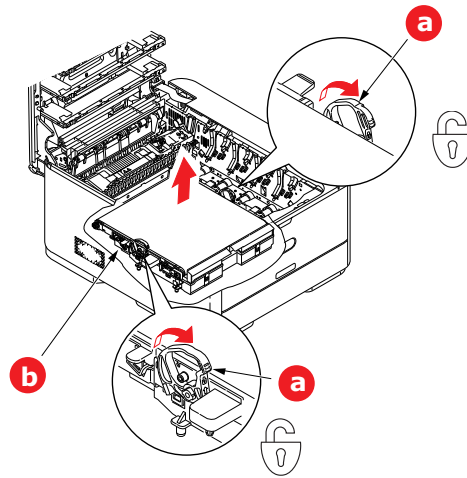
- (e) Press release lever (g) and pull the trapped paper from the fuser.



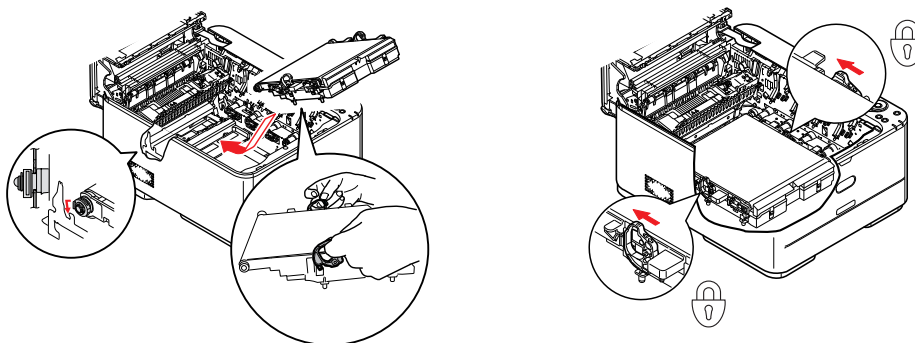
- (f) Replace fuser unit into the machine and move locking levers (e) toward the rear of the machine.



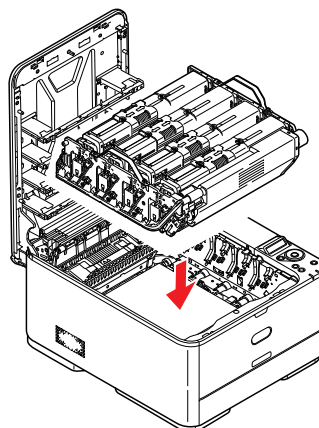
- 6.** If you were duplex printing when the jam occurred, check the duplex paper path:
- (a) Pull the locking levers at each side of the transfer belt up and towards the front of the machine.



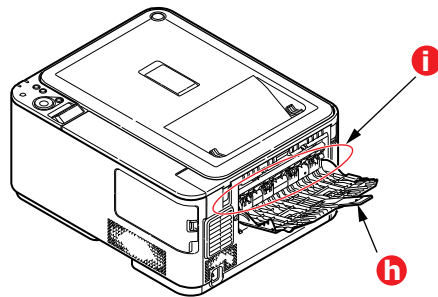
- (b) Using the locking levers (a), lift the belt (b) upwards and withdraw from the machine.
- (c) Look into the printer to check whether any sheets of paper are visible on any part of the paper path. Pull out any sheets found in this area.
- (d) Lower the belt unit into place, with the drive gear towards the rear of the printer. Locate the drive gear into the gear inside the printer by the rear right corner of the unit, and lower the belt unit flat inside the printer.



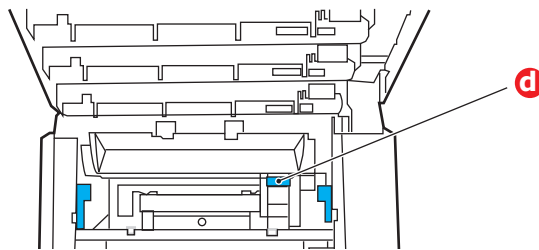
- (e) Push the locking levers towards the rear of the machine. This will secure the belt unit in place.
- 7.** Holding the image drum assembly by its handles, lower it into place in the machine, locating the pegs at the sides into their slots in the sides of the printer cavity.



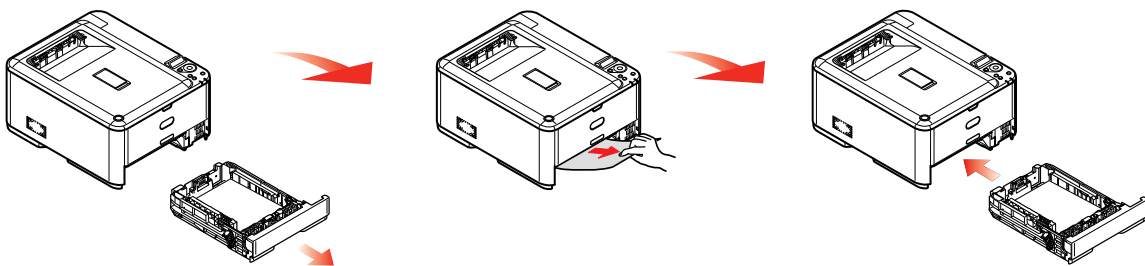
8. Lower the top cover but do not press down to latch it closed yet. This will protect the drum from excessive exposure to room lighting while you check the remaining areas for jammed sheets.
9. Open the rear exit tray (h) and check for a sheet of paper in the rear path area (i).



- > Pull out any sheets found in this area.
- > If the sheet is low down in this area and difficult to remove, it is probably still gripped by the fuser. In this case raise the top cover, reach around and press down on the fuser pressure release lever (d).



10. If you are not using the rear exit tray, close it once any paper has been removed from this area.
11. Pull out the paper tray and ensure that all paper is stacked properly, is undamaged, and that the paper guides are properly positioned against the edges of the paper stack. When satisfied, replace the tray.



12. Finally, close the top cover and press down firmly so that the cover latches closed. When the jam has been cleared, if JAM RECOVERY is set to ON in the SYS CONFIG MENU, the printer will attempt to reprint any pages lost due to paper jams.

DEALING WITH UNSATISFACTORY PRINTING

SYMPTOMS	POSSIBLE CAUSES	STEPS TO TAKE
Vertical white lines can be seen on the printed page.	The LED head is dirty.	Wipe the LED head with a soft, lint-free cloth.
	The toner is low.	Open the top cover and tap the cartridge a few times to evenly distribute any remaining toner. If symptoms persist, replace the toner cartridge.
	Foreign materials may be present in the image drum.	Replace the image drum cartridge.
	Light-shielding film of the image drum cartridge is dirty.	Wipe the film with a soft, lint-free cloth.
Printed images are fading vertically.	The LED head is dirty.	Wipe the LED head with a soft, lint-free cloth.
	The toner is low.	Open the top cover and tap the cartridge a few times to evenly distribute any remaining toner. If symptoms persist, replace the toner cartridge.
	The paper is not suitable for the printer unit.	Use recommended paper.
Printing is light.	The toner cartridge is not properly seated.	Reinstall the toner cartridge.
	The toner is low.	Open the top cover and tap the cartridge a few times to evenly distribute any remaining toner. If symptoms persist, replace the toner cartridge.
	The paper is moist.	Use paper stored in proper temperature and humidity conditions.
	The paper is not suitable for the printer unit.	Use recommended paper.
	Thickness and type of paper are inappropriate.	Set the correct value of media type and media weight in the Media menu or set one value thicker for media weight.
	Recycled paper is being used.	Set one value thicker for media weight in the Media menu.
Partially faded images. White spots and lines appear in solid printing.	Paper is moist or dry.	Use paper stored in proper temperature and humidity conditions.
Vertical lines appear.	The image drum cartridge is damaged.	Replace the image drum cartridge.
	The toner is low.	Open the top cover and tap the cartridge a few times to evenly distribute any remaining toner. If symptoms persist, replace the toner cartridge.

SYMPTOMS	POSSIBLE CAUSES	STEPS TO TAKE
Horizontal Lines and spots appear periodically.	When the interval is about 94mm (4in), the image drum (the green tube) is damaged or dirty.	Wipe it lightly with a soft cloth. Replace the image drum cartridge when it is damaged.
	When the interval is about 30mm (1.2in), there may be foreign particles in the image drum cartridge.	Open/close the top cover, and print again.
	When the interval is about 86mm (3.4in), the fuser unit is damaged.	Replace the fuser unit.
	The image drum cartridge has been exposed to light.	Replace the image drum cartridge if the problem is not resolved.
White area of paper is lightly stained.	Paper contains static.	Use paper stored in proper temperature and humidity conditions.
	Too thick paper is used.	Use thinner paper.
	The toner is low.	Open the top cover and tap the cartridge a few times to evenly distribute any remaining toner. If symptoms persist, replace the toner cartridge.
Periphery of the letters is smudged.	The LED head is dirty.	Wipe the LED head with a soft, lint-free cloth.
Toner comes off when it is rubbed.	The thickness and type of the paper are incorrectly set.	Set the correct value of media type and media weight in the Media menu or set one value lighter for media weight.
	Recycled paper is used.	Set one value thicker for media weight in the Media menu.
Glossiness is not uniform.	The thickness and type of the paper are incorrectly set.	Set the correct value of media type and media weight in the Media menu or set one value lighter for media weight.

SPECIFICATIONS

C301 - N34321B

C321 - N34322B

C331 - N34322A , N34322B

C511 - N34323B

C531/ES5431 - N34324B

ITEM	SPECIFICATION			
	C301	C321/C331	C511	C531/ ES5431
Dimensions	410 x 504 x 242mm (W x D x H)			
Weight	21Kg approx.			
Power supply	110 to 127VAC @ 50/60 Hz ± 2% 220 to 240VAC @ 50/60 Hz ± 2%			
Operating environment	Operating 10 to 32 °C/20 to 80% RH (optimum 25 °C wet, 2 °C dry) Off: 0 to 43 °C/10 to 90% RH (optimum 26.8 °C wet, 2 °C dry)			
Print environment	Color 17 to 27 °C @ 50 to 70% RH			

INDEX

B

- Belt
 - how to replace 68
 - life remaining..... 55

C

- Cleaning the LED head..... 72
- Color
 - adjusting..... 46

D

- Duplex
 - paper size and weight limits 14

E

- Envelopes
 - loading 18

F

- Fuser
 - how to replace 70
 - life remaining..... 55

G

- Getting Started 10

I

- Image drum
 - current usage state 55

M

- Maintenance menu..... 53
- Major printer components and paper path 81
- Menu functions..... 37
- Menus
 - administrator menu 57
 - color menu..... 46
 - factory default settings..... 39
 - FX emulation 50
 - how to use 37
 - information menu 41
 - maintenance menu 54
 - media menu..... 44
 - memory menu 53
 - menu map 41
 - network menu 51
 - PCL emulation menu..... 48
 - PPR emulation menu 49
 - print jobs menu 40
 - print menu 42
 - print statistics menu 63
 - resetting 54
 - system adjust menu 54
 - system configuration menu..... 47
 - usage menu 55
 - USB menu..... 51
- Multi purpose tray
 - how to use 18
 - paper metrics 14

N

- Network addresses
 - setting 52
- Network protocols
 - enabling or disabling 51

O

- Operator Panel 37

P

- Paper
 - jam clearing 81
 - jam, error codes 82
 - loading cassette trays 15
 - loading letterhead 16
 - recommended types..... 13
 - supported sheet sizes..... 13
 - weights and sizes 44
- Power saving
 - delay time 47
 - enabling or disabling 55
- PPR emulation..... 49
- Print quality
 - adjusting 55
- Problem checklist
 - unsatisfactory printing..... 88

S

- SD Card
 - how to install 76

T

- Toner
 - current usage state 56
 - how to replace..... 64

U

- Upgrades
 - additional paper tray 78
 - memory 73
 - SD card..... 76
- Usage menu 55

OKI CONTACT DETAILS

OkI Systems (UK) Ltd

Blays House
Wick Road
Egham
Surrey
TW20 0HJ
Tel: +44 (0) 1784 274300
Fax: +44 (0) 1784 274301
<http://www.oki.co.uk>

OkI Systems Ireland Limited

The Square Industrial Complex
Tallaght
Dublin 24

Tel: +353 (0) 1 4049590
Fax: +353 (0) 1 4049591
<http://www.oki.ie>

OkI Systems Ireland Limited - Northern Ireland

19 Ferndale Avenue
Glengormley
BT36 5AL
Northern Ireland

Tel: +44 (0) 7767 271447
Fax: +44 (0) 1 404 9520
<http://www.oki.ie>

Technical Support for all Ireland:

Tel: +353 1 4049570
Fax: +353 1 4049555
E-mail: tech.support@oki.ie

OKI Systems (Czech and Slovak), s.r.o.

IBC – Pobřežní 3
186 00 Praha 8
Czech Republic

Tel: +420 224 890158
Fax: +420 22 232 6621
Website: www.oki.cz, www.oki.sk

OkI Systems (Deutschland) GmbH

Hansaallee 187
40549 Düsseldorf

Tel: 01805/6544357**
01805/OKIHELP**
Fax: +49 (0) 211 59 33 45
Website:
www.okiprintingsolutions.de
info@oki.de

**0,14€/Minute aus dem dt. Festnetz
der T-Com (Stand 11.2008)

Διανομέας των συστημάτων OKI

CPI S.A1 Rafailidou str.
177 78 Tavros
Athens
Greece

Tel: +30 210 48 05 800
Fax: +30 210 48 05 801
EMail: sales@cpigr

OkI Systems (Iberica), S.A.U

C/Teide, 3
San Sebastian de los Reyes
28703, Madrid

Tel: +34 91 3431620
Fax: +34 91-3431624
Atención al cliente: 902 36 00 36
Website: www.oki.es

OkI Systèmes (France) S.A.

44-50 Av. du Général de Gaulle
94246 L'Hay les Roses
Paris

Tel: +33 01 46 15 80 00
Télécopie: +33 01 46 15 80 60
Website: www.oki.fr

OKI Systems (Magyarország) Kft.

Capital Square
Tower 2
7th Floor
H-1133 Budapest,
Váci út 76
Hungary

Telefon: +36 1 814 8000
Telefax: +36 1 814 8009
Website: www.okihu.hu

OKI Systems (Italia) S.p.A.

via Milano, 11,
20084 Lacchiarella (MI)

Tel: +39 (0) 2 900261
Fax: +39 (0) 2 90026344
Website: www.oki.it

OKI Printing Solutions

Platinum Business Park II, 3rd Floor
ul. Domaniewska 42
02-672 Warsaw
Poland

Tel: +48 22 448 65 00
Fax: +48 22 448 65 01
Website: www.oki.com.pl
E-mail: oki@oki.com.pl
Hotline: 0800 120066
E-mail: tech@oki.com.pl

OkI Systems (Ibérica) S.A.

Sucursal Portugal
Edifício Prime -
Av. Quinta Grande 53
7º C Alfragide
2614-521 Amadora
Portugal

Tel: +351 21 470 4200
Fax: +351 21 470 4201
Website: www.oki.pt
E-mail : oki@oki.pt

OkI Service Serviço de apoio técnico ao Cliente

Tel: 808 200 197
E-mail : okiserv@oki.pt

OKI Europe Ltd. (Russia)

Office 702, Bldg 1
Zagorodnoye shosse
117152, Moscow

Tel: +74 095 258 6065
Fax: +74 095 258 6070
e-mail: info@oki.ru
Website: www.oki.ru

Technical support:

Tel: +7 495 564 8421
e-mail: tech@oki.ru

OkI Systems (Österreich)

Campus 21
Businesszentrum Wien Sued
Liebermannstrasse A02 603
22345 Brun am Gebirge

Tel: +43 223 6677 110
Drucker Support:
+43 (0) 2236 677110-501
Fax Support:
+43 (0) 2236 677110-502
Website: www.oki.at

OKI Europe Ltd. (Ukraine)

Raisy Opkinoy Street,8
Building B, 2nd Floor,
Kiev 02002
Ukraine

Tel: +380 44 537 5288
e-mail: info@oki.ua
Website: www.oki.ua

OKI Sistem ve Yazıcı Çözümleri Tic. Ltd. Şti.

Harman sok Duran Is Merkezi,
No:4, Kat:6,
34394, Levent
İstanbul

Tel: +90 212 279 2393
Faks: +90 212 279 2366
Web: www.oki.com.tr
www.okiprintingsolutions.com.tr

OkI Systems (Belgium)

Medialaan 24
1800 Vilvoorde

Helpdesk: 02-2574620
Fax: 02 2531848
Website: www.oki.be

AlphaLink Bulgaria Ltd.

2 Kukush Str.
Building "Antim Tower", fl. 6
1463 Sofia, Bulgaria

tel: +359 2 821 1160
fax: +359 2 821 1193
Website: <http://bulgaria.oki.com>

OKI Printing Solutions

Herstedøstervej 27
2620 Albertslund
Danmark

Adm.: +45 43 66 65 00
Hotline: +45 43 66 65 40
Salg: +45 43 66 65 30
Fax: +45 43 66 65 90
Website: www.oki.dk

Oki Systems (Finland) Oy

Polaris Capella
Vänrikinkuja 3
02600 Espoo

Tel: +358 (0) 207 900 800
Fax: +358 (0) 207 900 809
Website: www.oki.fi

Oki Systems (Holland) b.v.

Neptunustraat 27-29
2132 JA Hoofddorp

Helpdesk: 0800 5667654
Tel: +31 (0) 23 55 63 740
Fax: +31 (0) 23 55 63 750
Website: www.oki.nl

Oki Systems (Norway) AS

Tevlingveien 23
N-1081 Oslo

Tel: +47 (0) 63 89 36 00
Telefax: +47 (0) 63 89 36 01
Ordrefax: +47 (0) 63 89 36 02
Website: www.oki.no

**General Systems S.R.L.
(Romania)**

Sos. Bucuresti-Ploiesti Nr. 135.
Bucharest 1
Romania

Tel: +40 21 303 3138
Fax: +40 21303 3150
Website: http://romania.oki.com

Var vänlig kontakta din Återförsäljare
i första hand, för konsultation. I
andra hand kontakta

Oki Systems (Sweden) AB

Borgarfjordsgatan 7
Box 1191
164 26 Kista

Tel. +46 (0) 8 634 37 00
e-mail:
info@oki.se för allmänna frågor om
Oki produkter

support@oki.se för teknisk support
gällandes Oki produkter

Vardagar: 08.30 - 12.00,
13.00 - 16.00
Website: www.oki.se

Oki Systems (Schweiz)

Baslerstrasse 15
CH-4310 Rheinfelden

Support deutsch +41 61 827 94 81
Support français +41 61 827 94 82
Support italiano +41 061 827 9473
Tel: +41 61 827 9494
Website: www.oki.ch

**Oki Data Americas Inc. (United
States • États-Unis)**

2000 Bishops Gate Blvd.
Mt. Laurel, NJ 08054
USA

Tel: 1-800-654-3282
Fax: 1-856-222-5247
http://WWW.OKIPRINTINGSOLUTIONS.COM
http://my.okidata.com

**Oki Data Americas Inc. (Canada •
Canada)**

4140B Sladeview Crescent Unit 7 & 8
Mississauga, Ontario
Canada L5L 6A1

Tél: 1-905-608-5000
Télééc: 1-905-608-5040
http://WWW.OKIPRINTINGSOLUTIONS.COM

**Oki Data Americas Inc. (América
Latina (OTRO))**

2000 Bishops Gate Blvd.
Mt. Laurel, NJ 08054
USA

Tel (Español): 1-856-222-7496
1-856-222-5276

Fax: 1-856-222-5260
Email: LASatisfaction@okidata.com

Oki Data de Mexico, S.A. de C.V.

Mariano Escobedo #748, Piso 8
Col. Nueva Anzures
C.P. 11590, México, D.F.

Tel: 52-555-263-8780
Fax: 52-555-250-3501
http://WWW.OKIPRINTINGSOLUTIONS.COM

Oki Data do Brasil, Ltda.

Rua Alexandre Dumas, 2220-80
andar Chácara Santo Antonio
04717-004, São Paulo, SP Brasil

Tel: 55-11-3444-6747 (Grande São
Paulo)
0800-11-5577 (Demais
localidades)
Fax: 5511-3444-3501
e-mail: okidata@okidata.com.br
http://WWW.OKIPRINTINGSOLUTIONS.COM

Oki Data (Singapore) Pte. Ltd.

438A Alexandra Road #02-11/12,
Lobby 3, Alexandra Technopark
Singapore(119967)

Tel:(65) 6221 3722
Fax:(65) 6594 0609
http://www.okidata.com.sg

Oki Systems (Thailand) Ltd.

1168/81-82 Lumpini Tower,
27th Floor Rama IV Road
Tungmahamek, Sathorn
Bangkok 10120

Tel:(662) 679 9235
Fax:(662) 679 9243/245
http://www.okisysthai.com

Oki Systems (Hong Kong) Ltd.

Suite 1908, 19/F, Tower 3,
China Hong Kong City
33 Canton Road, TsimShaTsui,
Kowloon, Hong Kong

Tel: (852) 3543 9288
Fax: (852) 3549 6040
http://www.okiprintingsolutions.com.hk

Oki Data (Australia) Pty Ltd.

Levwl1 67 Epping Road, Macquarie Park
NSW 2113, Australia

Tel: +61 2 8071 0000
(Support Tel: 1800 807 472)
Fax: +61 2 8071 0010
http://www.oki.com.au

Comworth Systems Ltd.

8 Antares Place Mairangi Bay,
Auckland, New Zealand

Tel:(64) 9 477 0500
Fax:(64) 9 477 0549
http://www.comworth.co.nz

**Oki Data(S) P Ltd. Malaysia Rep
Office**

Suite 21.03, 21st Floor Menara IGB,
Mid Valley City,
Lingkaran Syed Pura 59200,
Kuala Lumpur, Malaysia

Tel: (60) 3 2287 1177
Fax: (60) 3 2287 1166



Oki Data Corporation
4-11-22 Shibaura, Minato-ku, Tokyo
108-8551, Japan