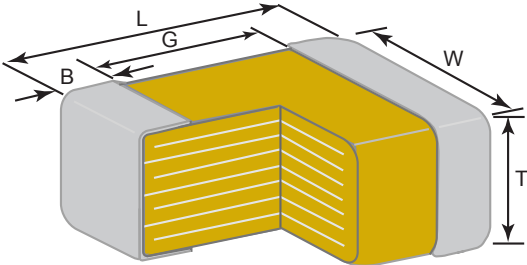
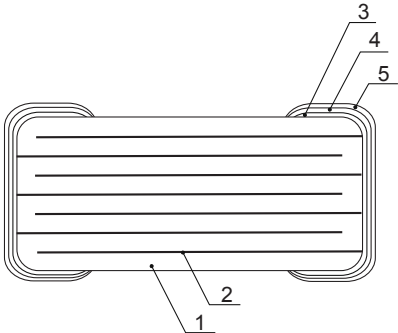


# TDK MLCC Datasheet<sup>1</sup>

TDK P/N **C3216** **X7R** **2A** **104** **K** **T** **XXXX**

1)                      2)                      3)                      4)                      5)                      6)                      7)

No.	Segment	Detail	Comments
1	Case Size	3.20 x 1.60 mm	See below for dimensions.
2	Temperature Characteristics	-55+125 C ±15%	Class II ; Conforms to EIA 198
3	Rated Voltage	100V	DC
4	Capacitance	100,000 pF or 0.1 uF	1.0 ± 0.2 Vrms , 1kHz ± 10%
5	Capacitance Tolerance	± 10%	Conforms to IEC 384-9
6	Packaging Style	Tape and Reel	EIA 481 Format
7	TDK internal Code	XXXX	(Internal TDK use only)
-	Dissipation Factor (DF)	0.03 max.	1.0 ± 0.2 Vrms , 1kHz ± 10%
-	Insulation Resistance	5000 MΩ min.	apply rated voltage for 60s

Physical Dimensions		Material System																																																										
																																																												
<table border="1" style="width: 100%;"> <thead> <tr> <th>Symbol</th> <th>Dimensions (mm)</th> </tr> </thead> <tbody> <tr> <td>L</td> <td>3.20 ± 0.2</td> </tr> <tr> <td>W</td> <td>1.60 ± 0.2</td> </tr> <tr> <td>T</td> <td>1.80 max.</td> </tr> <tr> <td>B</td> <td>0.2 min.</td> </tr> <tr> <td>G</td> <td>1.00 min.</td> </tr> </tbody> </table>	Symbol	Dimensions (mm)	L	3.20 ± 0.2	W	1.60 ± 0.2	T	1.80 max.	B	0.2 min.	G	1.00 min.	<table border="1" style="width: 100%;"> <thead> <tr> <th rowspan="2">No.</th> <th rowspan="2">Name</th> <th colspan="4">Material</th> </tr> <tr> <th colspan="2">Class I</th> <th colspan="2">Class II</th> </tr> <tr> <td></td> <td></td> <td>Pd</td> <td>TME</td> <td>Pd</td> <td>TME</td> </tr> </thead> <tbody> <tr> <td>1</td> <td>Dielectric</td> <td>TiO2</td> <td>CaZrO3</td> <td colspan="2">BaTiO3</td> </tr> <tr> <td>2</td> <td>Electrode</td> <td>Pd</td> <td>Ni</td> <td>Pd</td> <td>Ni</td> </tr> <tr> <td>3</td> <td rowspan="3">Termination</td> <td>Ag or Ag/Pd</td> <td>Cu</td> <td>Ag or Ag/Pd</td> <td>Cu</td> </tr> <tr> <td>4</td> <td colspan="4" style="text-align: center;">Ni</td> </tr> <tr> <td>5</td> <td colspan="4" style="text-align: center;">Sn</td> </tr> </tbody> </table>				No.	Name	Material				Class I		Class II				Pd	TME	Pd	TME	1	Dielectric	TiO2	CaZrO3	BaTiO3		2	Electrode	Pd	Ni	Pd	Ni	3	Termination	Ag or Ag/Pd	Cu	Ag or Ag/Pd	Cu	4	Ni				5	Sn			
Symbol	Dimensions (mm)																																																											
L	3.20 ± 0.2																																																											
W	1.60 ± 0.2																																																											
T	1.80 max.																																																											
B	0.2 min.																																																											
G	1.00 min.																																																											
No.	Name	Material																																																										
		Class I		Class II																																																								
		Pd	TME	Pd	TME																																																							
1	Dielectric	TiO2	CaZrO3	BaTiO3																																																								
2	Electrode	Pd	Ni	Pd	Ni																																																							
3	Termination	Ag or Ag/Pd	Cu	Ag or Ag/Pd	Cu																																																							
4		Ni																																																										
5		Sn																																																										

<sup>1</sup> This datasheet gives a basic overview of the multilayer ceramic capacitor as defined in the above TDK part number. A full specification (including part number construction, available capacitance ranges, packaging and caution notes) is available upon request. The information above is subject to change by TDK without any notice.