

C3D02060F

Silicon Carbide Schottky Diode

Z-REC™ RECTIFIER (FULL-PAK)

V_{RRM}	=	600 V
$I_F (T_C=128^\circ\text{C})$	=	2 A
Q_c	=	4.8 nC

Features

- 600-Volt Schottky Rectifier
- Optimized for PFC Boost Diode Application
- Zero Reverse Recovery Current
- Zero Forward Recovery Voltage
- High-Frequency Operation
- Temperature-Independent Switching Behavior
- Extremely Fast Switching
- Positive Temperature Coefficient on V_F
- Fully Isolated Case

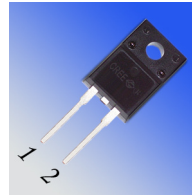
Benefits

- Replace Bipolar with Unipolar Rectifiers
- Essentially No Switching Losses
- Higher Efficiency
- Reduction of Heat Sink Requirements
- No Additional Isolation Required

Applications

- Switch Mode Power Supplies
- Power Factor Correction
 - Typical PFC P_{out} : 150W-300W
- Motor Drives

Package



TO-220-F2



Part Number	Package	Marking
C3D02060F	TO-220-F2	C3D02060

Maximum Ratings ($T_C = 25^\circ\text{C}$ unless otherwise specified)

Symbol	Parameter	Value	Unit	Test Conditions	Note
V_{RRM}	Repetitive Peak Reverse Voltage	600	V		
V_{RSM}	Surge Peak Reverse Voltage	600	V		
V_{DC}	DC Blocking Voltage	600	V		
I_F	Continuous Forward Current	4 2 1.8	A	$T_C=25^\circ\text{C}$ $T_C=128^\circ\text{C}$ $T_C=135^\circ\text{C}$	
I_{FRM}	Repetitive Peak Forward Surge Current	12 8	A	$T_C=25^\circ\text{C}$, $t_p = 10$ ms, Half Sine Wave, $D=0.3$ $T_C=110^\circ\text{C}$, $t_p = 10$ ms, Half Sine Wave, $D=0.3$	
I_{FSM}	Non-Repetitive Peak Forward Surge Current	20 16	A	$T_C=25^\circ\text{C}$, $t_p = 10$ ms, Half Sine Wave, $D=0.3$ $T_C=110^\circ\text{C}$, $t_p = 10$ mS, Half Sine Wave, $D=0.3$	
I_{FSM}	Non-Repetitive Peak Forward Surge Current	65	A	$T_C=25^\circ\text{C}$, $t_p = 10$ μs , Pulse	
P_{tot}	Power Dissipation	10.8 4.7	W	$T_C=25^\circ\text{C}$ $T_C=110^\circ\text{C}$	
T_J, T_{stg}	Operating Junction and Storage Temperature	-55 to +175	$^\circ\text{C}$		
	TO-220 Mounting Torque	1 8.8	Nm lbf-in	M3 Screw 6-32 Screw	

Electrical Characteristics

Symbol	Parameter	Typ.	Max.	Unit	Test Conditions	Note
V_F	Forward Voltage	1.5 1.8	1.7 2.4	V	$I_F = 2\text{ A}$ $T_J = 25^\circ\text{C}$ $I_F = 2\text{ A}$ $T_J = 175^\circ\text{C}$	
I_R	Reverse Current	10 20	50 100	μA	$V_R = 600\text{ V}$ $T_J = 25^\circ\text{C}$ $V_R = 600\text{ V}$ $T_J = 175^\circ\text{C}$	
Q_C	Total Capacitive Charge	4.8		nC	$V_R = 600\text{ V}$, $I_F = 2\text{ A}$ $di/dt = 500\text{ A}/\mu\text{s}$ $T_J = 25^\circ\text{C}$	
C	Total Capacitance	120 12 11		pF	$V_R = 0\text{ V}$, $T_J = 25^\circ\text{C}$, $f = 1\text{ MHz}$ $V_R = 200\text{ V}$, $T_J = 25^\circ\text{C}$, $f = 1\text{ MHz}$ $V_R = 400\text{ V}$, $T_J = 25^\circ\text{C}$, $f = 1\text{ MHz}$	

Note:

1. This is a majority carrier diode, so there is no reverse recovery charge.

Thermal Characteristics

Symbol	Parameter	Typ.	Unit
$R_{\theta JC}$	Thermal Resistance from Junction to Case	13.8	$^\circ\text{C}/\text{W}$

Typical Performance

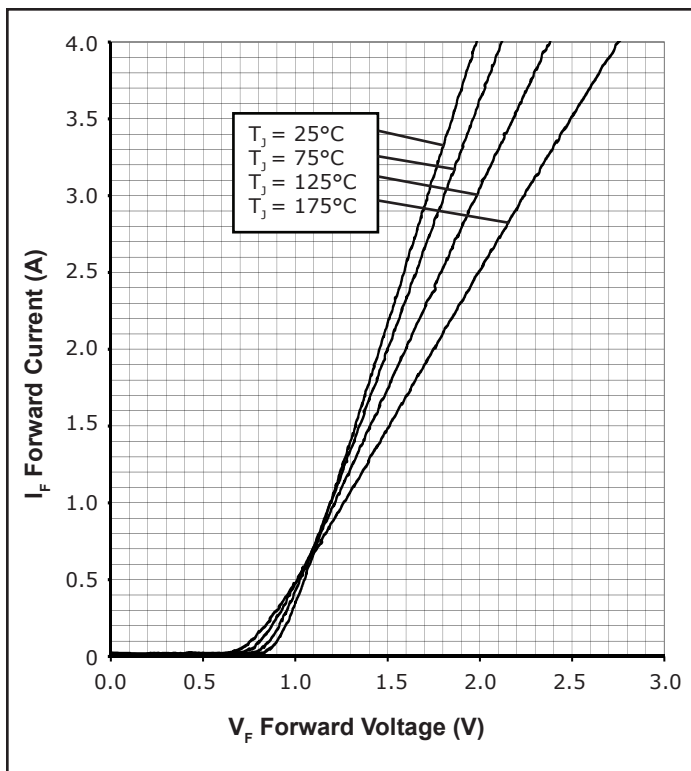


Figure 1. Forward Characteristics

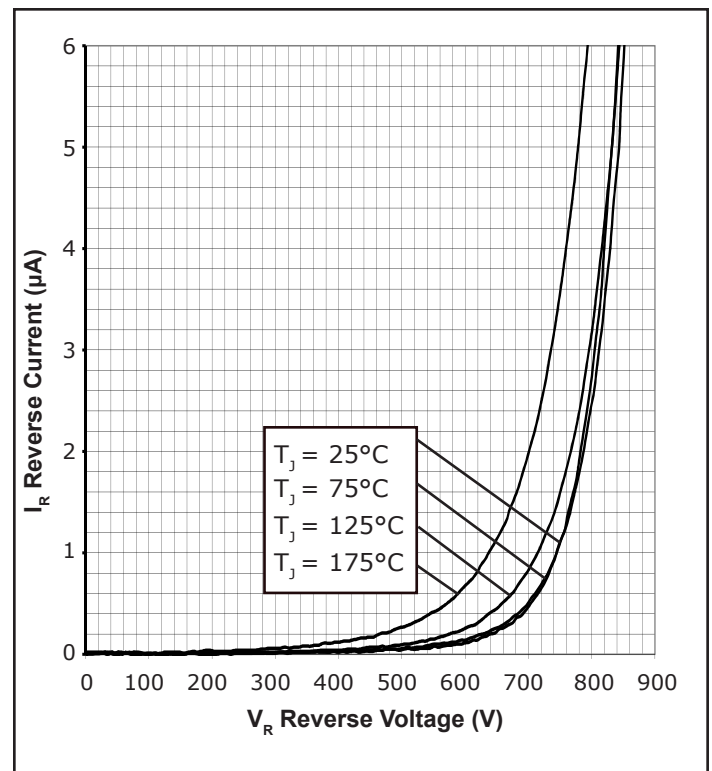


Figure 2. Reverse Characteristics

Typical Performance

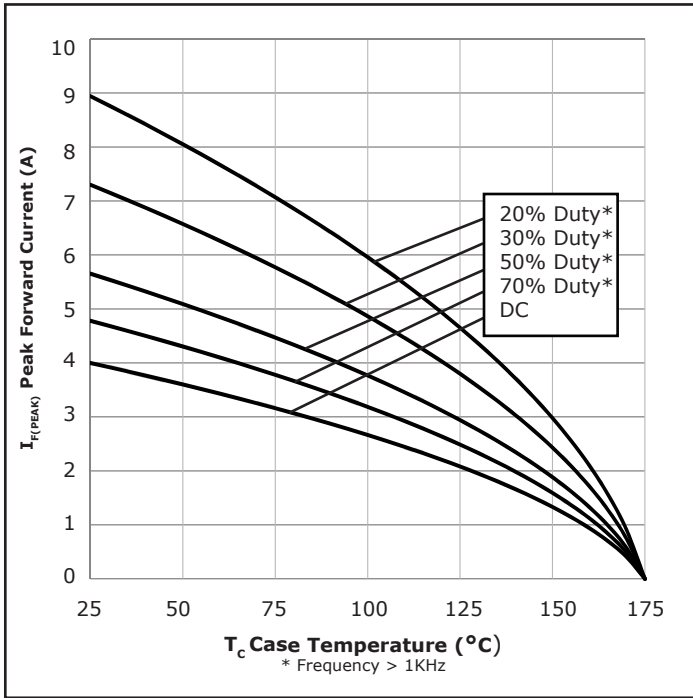


Figure 3. Current Derating

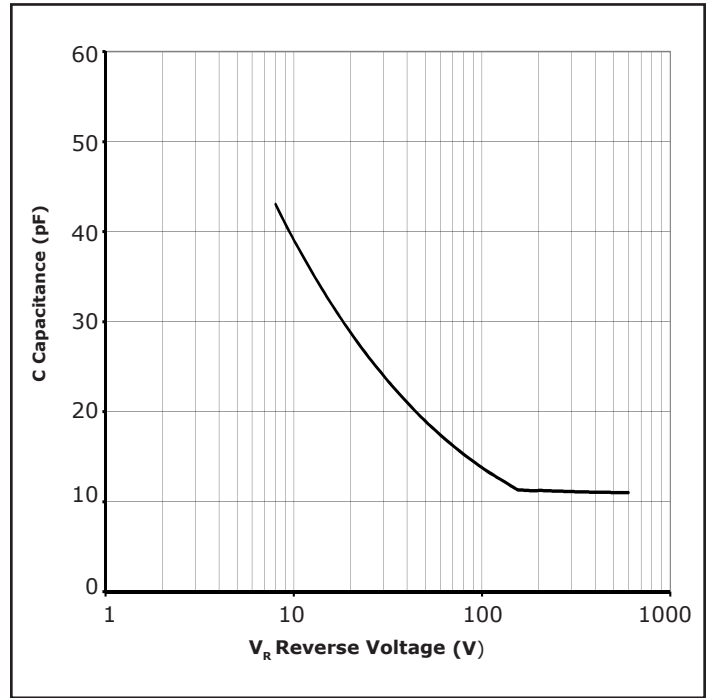


Figure 4. Capacitance vs. Reverse Voltage

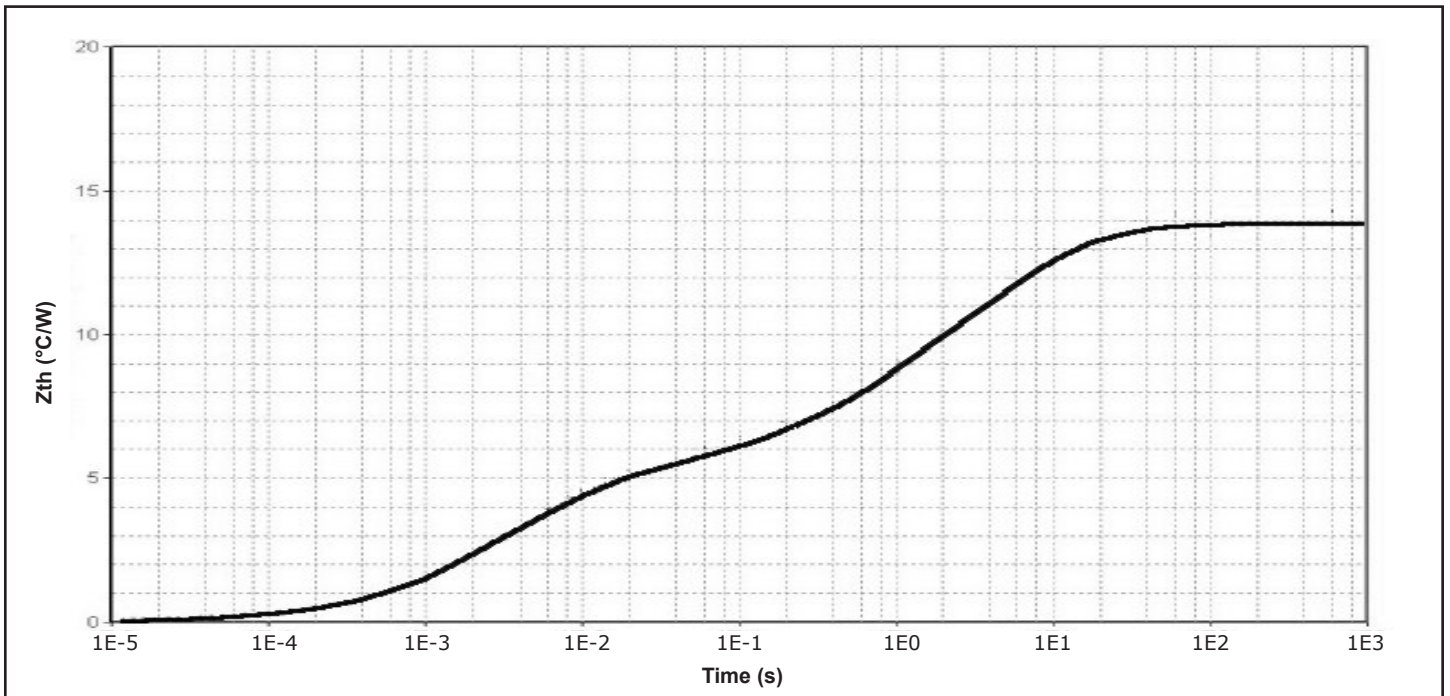


Figure 5. Transient Thermal Impedance

Typical Performance

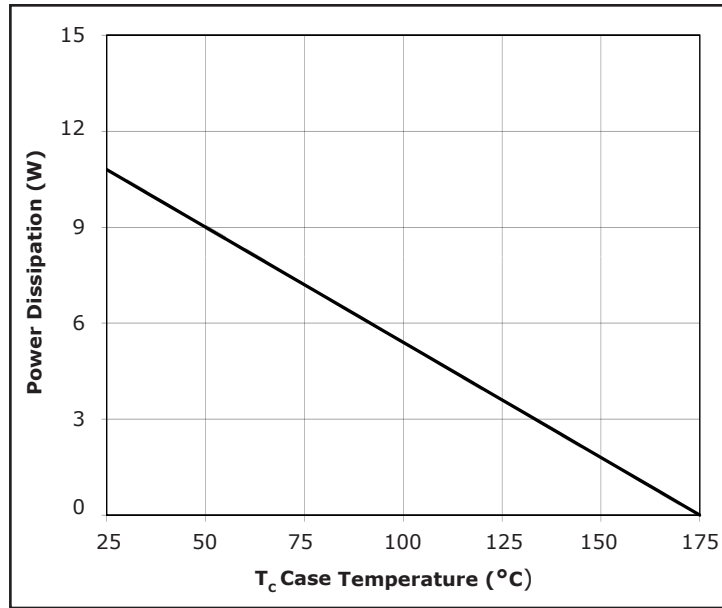
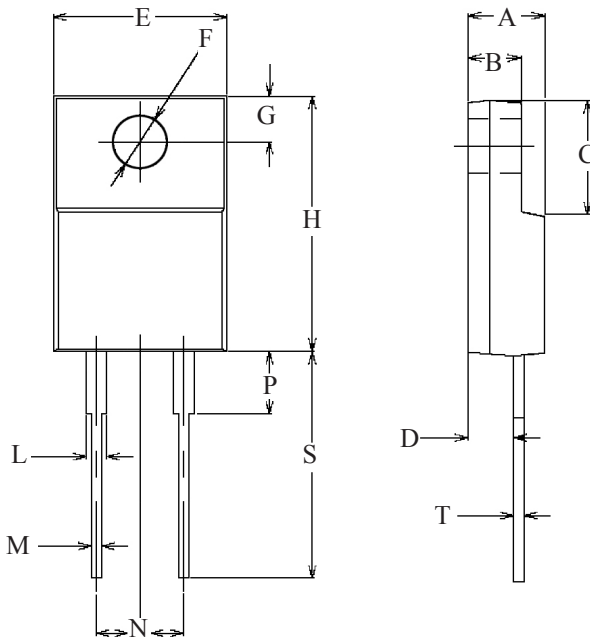


Figure 6. Power Derating

Package Dimensions

Package TO-220-F2



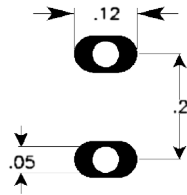
POS	Inches		Millimeters	
	Min	Max	Min	Max
A	.177	.193	4.5	4.9
B	.092	.108	2.34	2.74
C	.248	.272	6.3	6.9
D	.098	.114	2.5	2.9
E	.390	.406	9.9	10.3
F	.118	.134	3.0	3.4
G	.122	.137	3.1	3.5
H	.617	.633	15.67	16.07
L	.039	.055	1.0	1.4
M	.016	.031	0.4	0.8
N	.185	.217	4.7	5.5
P	0	.154	0	3.9
S	.476	.508	12.1	12.9
T	.016	.031	0.4	0.8

NOTE:

1. Dimension L, M, T apply for Solder Dip Finish



Recommended Solder Pad Layout



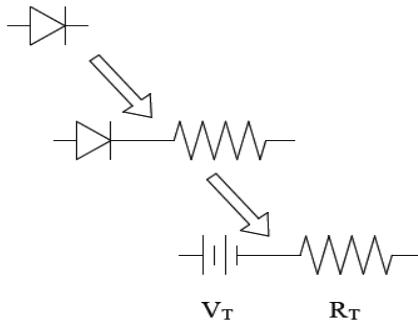
TO-220-F2

Part Number	Package	Marking
C3D02060F	TO-220-F2	C3D02060

Note: Recommended soldering profiles can be found in the applications note here: http://www.cree.com/power_app_notes/soldering



Diode Model



$$V_{f_T} = V_T + I_f * R_T$$

$$R_T = 0.21 + (T_j * 1.71 * 10^{-3})$$

$$V_T = 0.98 + (T_j * -1.7 * 10^{-3})$$

Note: T_j = Diode Junction Temperature In Degrees Celsius



Notes

- **RoHS Compliance**

The levels of RoHS restricted materials in this product are below the maximum concentration values (also referred to as the threshold limits) permitted for such substances, or are used in an exempted application, in accordance with EU Directive 2011/65/EC (RoHS2), as implemented January 2, 2013. RoHS Declarations for this product can be obtained from your Cree representative or from the Product Documentation sections of www.cree.com.

- **REACH Compliance**

REACH substances of high concern (SVHCs) information is available for this product. Since the European Chemical Agency (ECHA) has published notice of their intent to frequently revise the SVHC listing for the foreseeable future, please contact a Cree representative to insure you get the most up-to-date REACH SVHC Declaration. REACH banned substance information (REACH Article 67) is also available upon request.

- This product has not been designed or tested for use in, and is not intended for use in, applications implanted into the human body nor in applications in which failure of the product could lead to death, personal injury or property damage, including but not limited to equipment used in the operation of nuclear facilities, life-support machines, cardiac defibrillators or similar emergency medical equipment, aircraft navigation or communication or control systems, air traffic control systems, or weapons systems.