

# C3D08065E

650 V, 8 A Silicon Carbide Schottky Diode

## Features

- 650-Volt Schottky rectifier
- Zero reverse recovery current
- Zero forward recovery voltage
- High-frequency operation
- Temperature-independent switching behavior
- Extremely fast switching
- Positive temperature coefficient on  $V_f$



TO-252-2



Package Types: TO-252-2

Marking: C3D08065

WolfSpeed, Inc. is in the process of rebranding its products and related materials pursuant to the entity name change from Cree, Inc. to WolfSpeed, Inc. During this transition period, products received may be marked with either the Cree name and/or logo or the WolfSpeed name and/or logo.

## Typical Applications

- Switch mode power supplies (SMPS)
- Power factor correction
- Motor drives

## Benefits

- Replace bipolar with unipolar rectifiers
- Essentially no switching losses
- Higher efficiency
- Reduction of heat sink requirements
- Parallel devices without thermal runaway

## Maximum Ratings ( $T_c = 25\text{ }^\circ\text{C}$ Unless Otherwise Specified)

Parameter	Symbol	Value	Unit	Test Conditions	Note
Repetitive Peak Reverse Voltage	$V_{RRM}$	650	V		
Surge Peak Reverse Voltage	$V_{RSM}$	650			
DC Blocking Voltage	$V_{DC}$	650			
Continuous Forward Current	$I_F$	25.5	A	$T_c = 25\text{ }^\circ\text{C}$	Fig. 3
		12		$T_c = 135\text{ }^\circ\text{C}$	
		8		$T_c = 155\text{ }^\circ\text{C}$	
Repetitive Peak Forward Surge Current	$I_{FRM}$	34	A	$T_c = 25\text{ }^\circ\text{C}$ , $t_p = 10\text{ ms}$ , Half Sine Wave	Fig. 8
		25		$T_c = 110\text{ }^\circ\text{C}$ , $t_p = 10\text{ ms}$ , Half Sine Wave	
Non-Repetitive Peak Forward Surge Current	$I_{FSM}$	71	A	$T_c = 25\text{ }^\circ\text{C}$ , $t_p = 10\text{ ms}$ , Half Sine Wave	Fig. 8
		60		$T_c = 110\text{ }^\circ\text{C}$ , $t_p = 10\text{ ms}$ , Half Sine Wave	
Non-Repetitive Peak Forward Surge Current	$I_{F,Max}$	650	A	$T_c = 25\text{ }^\circ\text{C}$ , $t_p = 10\text{ }\mu\text{s}$ , Pulse	Fig. 8
		530		$T_c = 110\text{ }^\circ\text{C}$ , $t_p = 10\text{ }\mu\text{s}$ , Pulse	
Power Dissipation	$P_{tot}$	120	W	$T_c = 25\text{ }^\circ\text{C}$	Fig. 4
		52		$T_c = 110\text{ }^\circ\text{C}$	
Operating Junction and Storage Temperature	$T_{J, T_{stg}}$	-55 to +175	$^\circ\text{C}$		



### Electrical Characteristics

Parameter	Symbol	Typ.	Max.	Unit	Test Conditions	Note
Forward Voltage	$V_F$	1.5	1.8	V	$I_F = 8\text{ A}, T_J = 25\text{ }^\circ\text{C}$	Fig. 1
		2.1	2.4		$I_F = 8\text{ A}, T_J = 175\text{ }^\circ\text{C}$	
Reverse Current	$I_R$	10	50	$\mu\text{A}$	$V_R = 650\text{ V}, T_J = 25\text{ }^\circ\text{C}$	Fig. 2
		20	200		$V_R = 650\text{ V}, T_J = 175\text{ }^\circ\text{C}$	
Total Capacitive Charge	$Q_C$	20		nC	$V_R = 650\text{ V}, I_F = 8\text{ A}$ $di/dt = 500\text{ A}/\mu\text{S}$ $T_J = 25\text{ }^\circ\text{C}$	Fig. 5
Total Capacitance	C	395		pF	$V_R = 0\text{ V}, T_J = 25\text{ }^\circ\text{C}, f = 1\text{ MHz}$	Fig. 6
		37			$V_R = 200\text{ V}, T_J = 25\text{ }^\circ\text{C}, f = 1\text{ MHz}$	
		32			$V_R = 400\text{ V}, T_J = 25\text{ }^\circ\text{C}, f = 1\text{ MHz}$	
Capacitance Stored Energy	$E_C$	3.0		$\mu\text{J}$	$V_R = 400\text{ V}$	Fig. 7

Note: This is a majority carrier diode, so there is no reverse recovery charge.

### Thermal Characteristics

Parameter	Symbol	Typ.	Unit	Note
Thermal Resistance from Junction to Case	$R_{\theta JC}$	1.25	$^\circ\text{C}/\text{W}$	Fig. 9

### Typical Performance

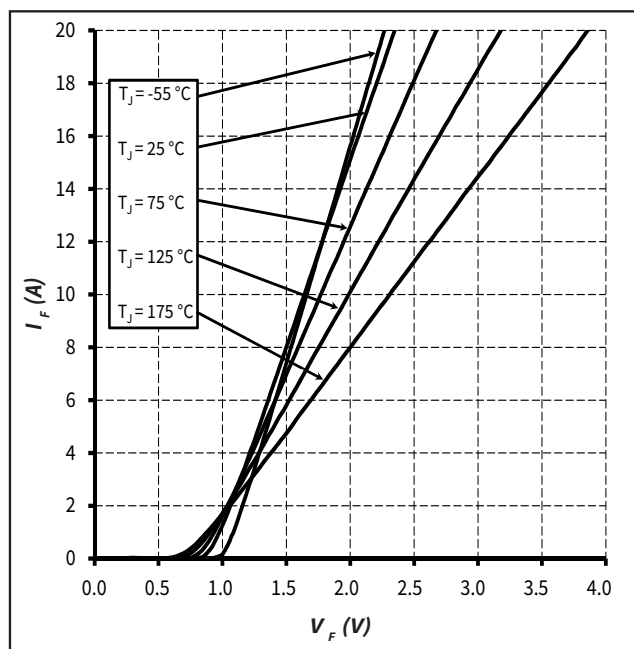


Figure 1. Forward Characteristics

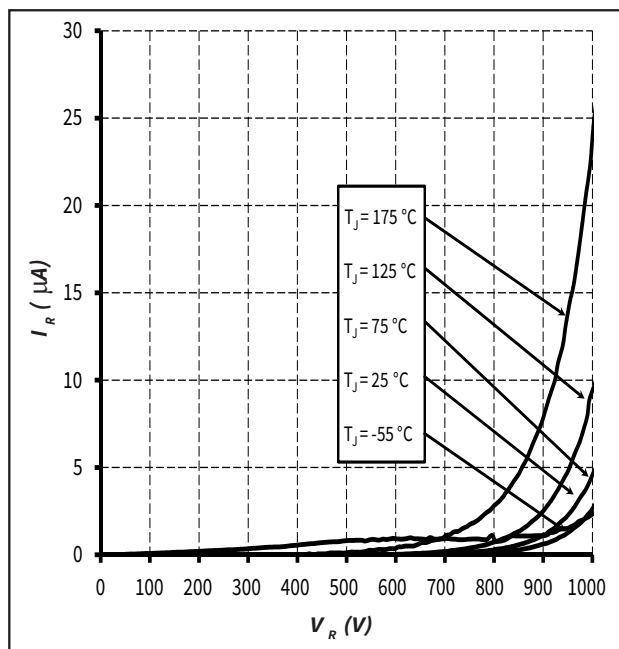


Figure 2. Reverse Characteristics



Typical Performance

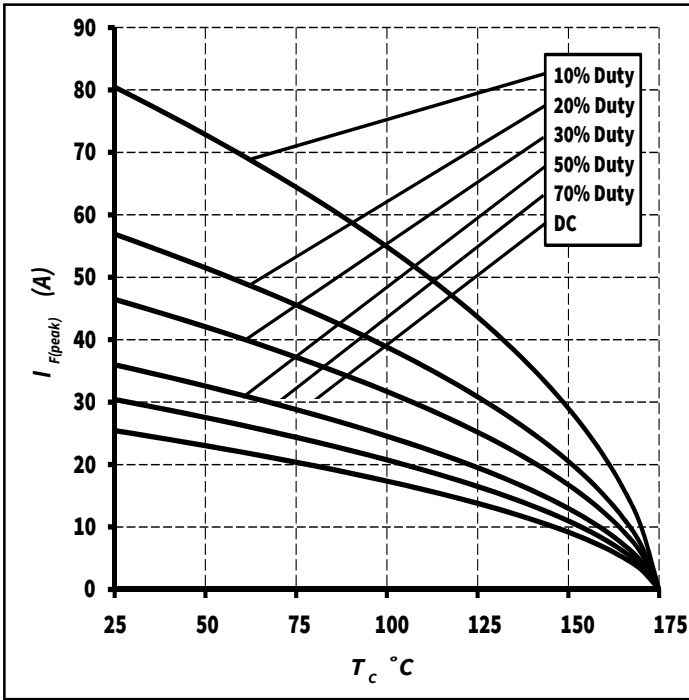


Figure 3. Current Derating

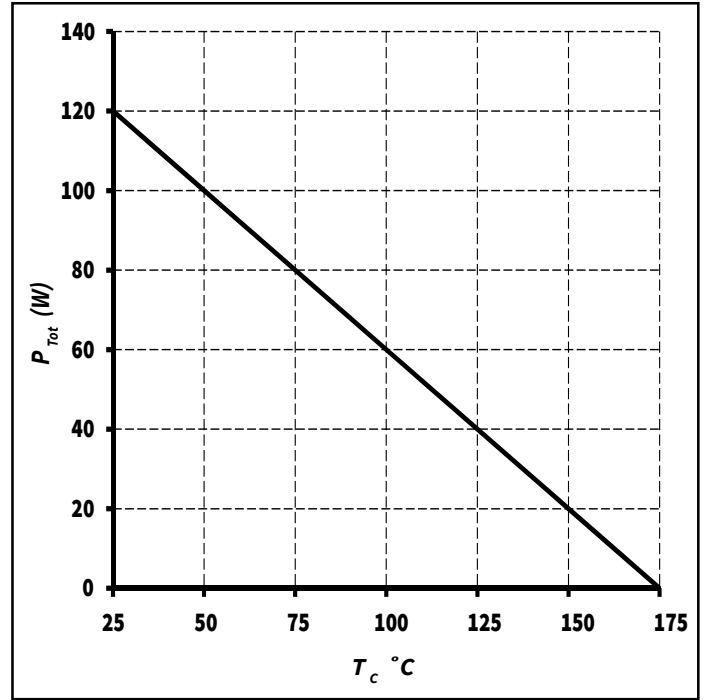


Figure 4. Power Derating

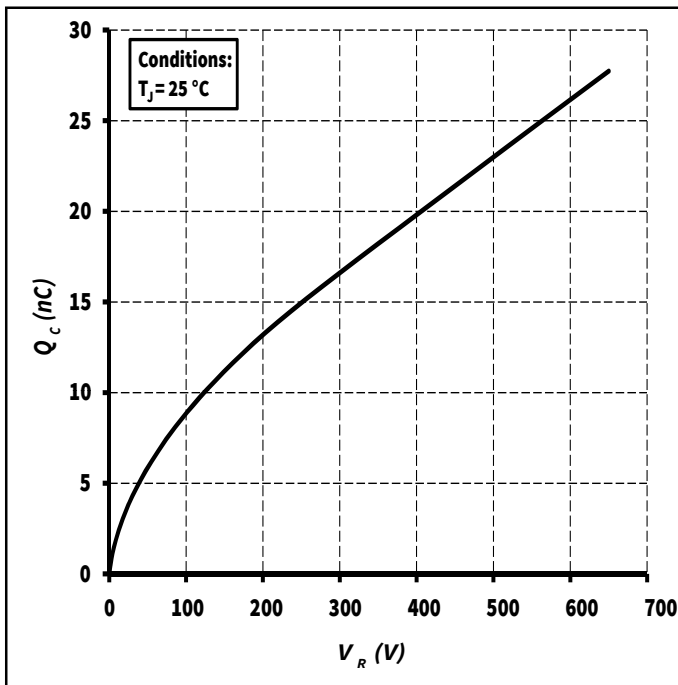


Figure 5. Total Capacitance Charge vs. Reverse Voltage

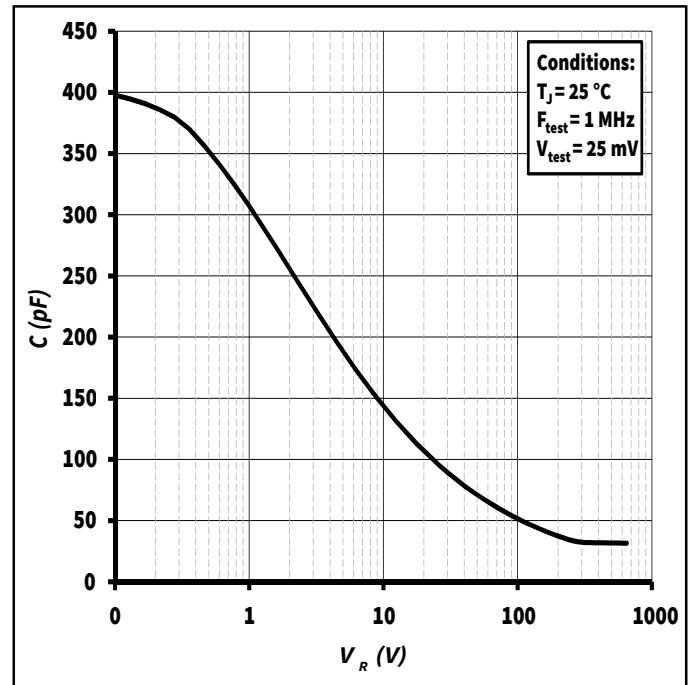


Figure 6. Capacitance vs. Reverse Voltage



Typical Performance

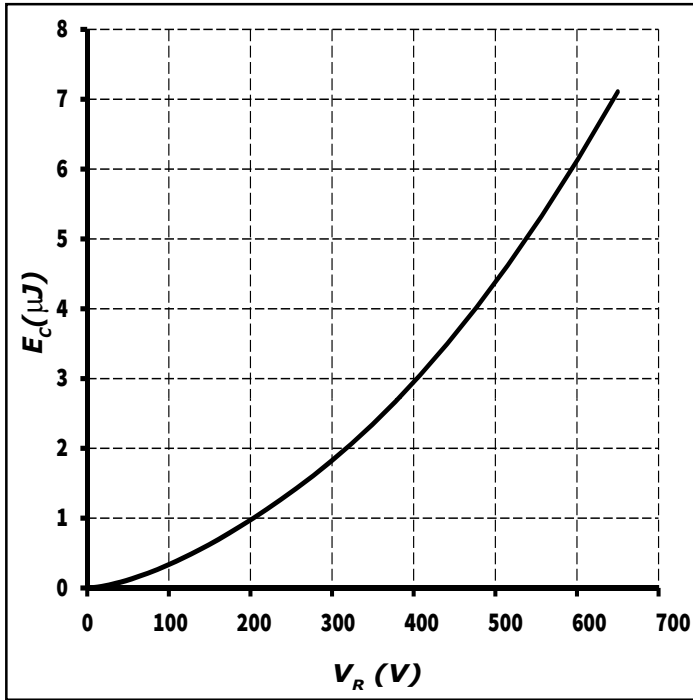


Figure 7. Capacitance Stored Energy

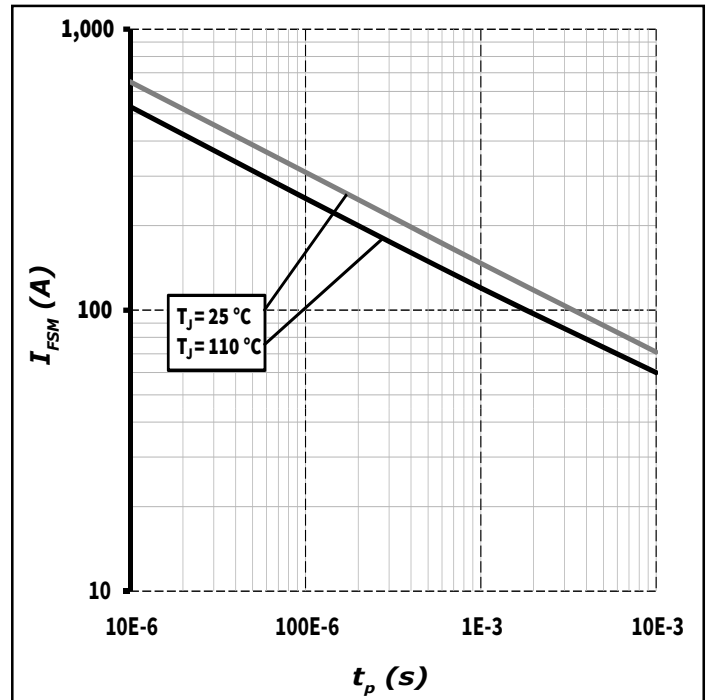


Figure 8. Non-Repetitive Peak Forward Surge Current Versus Pulse Duration (Sinusoidal Waveform)

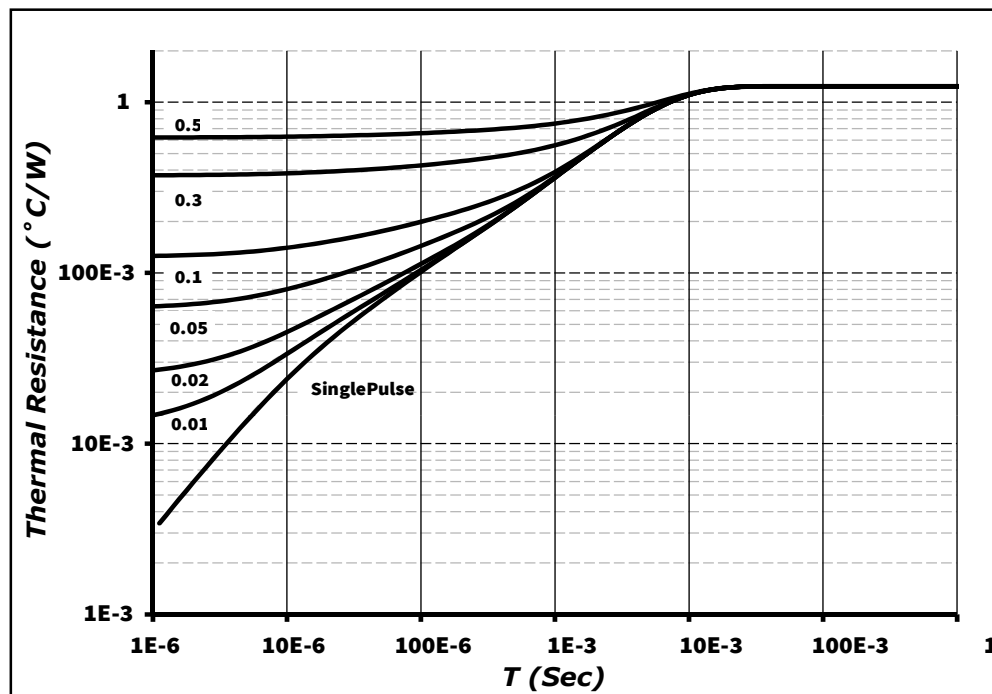
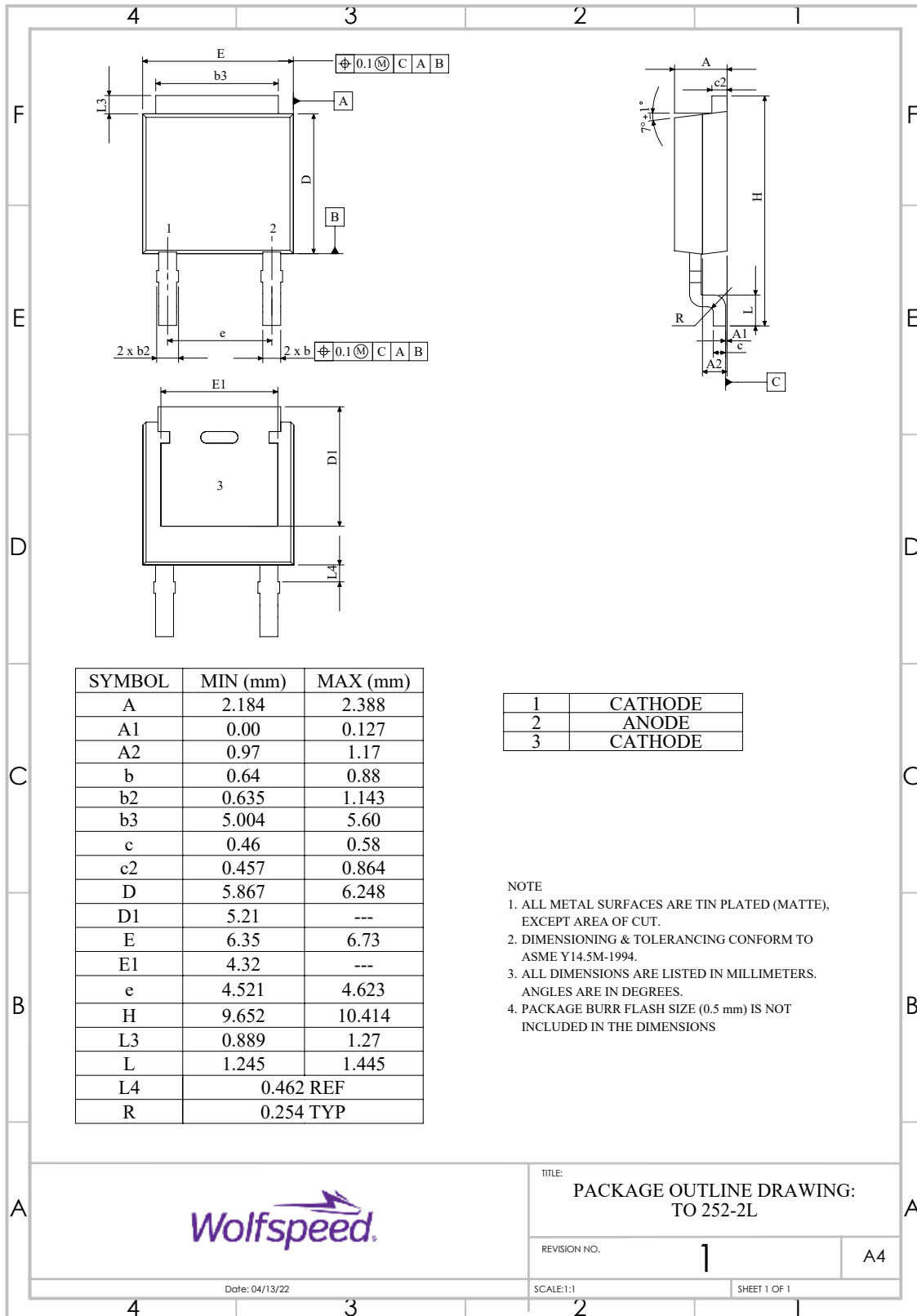


Figure 9. Transient Thermal Impedance



### Package Dimensions

Package: TO-252-2

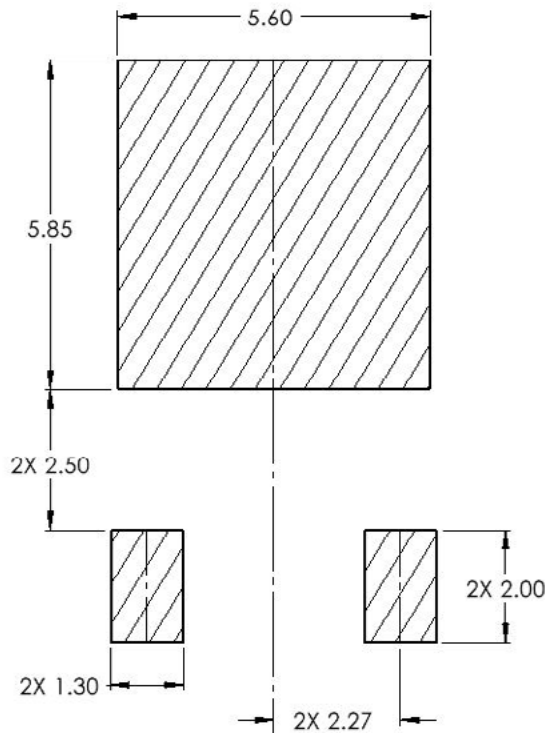


TITLE: PACKAGE OUTLINE DRAWING: TO 252-2L

REVISION NO. 1 A4

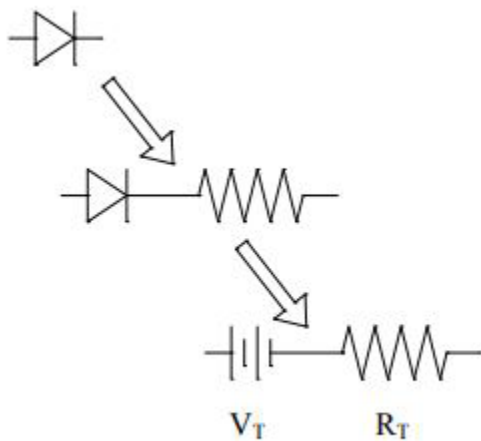


### Recommended Solder Pad Layout



Part Number	Package	Marking
C3D08065E	TO-252-2	C3D08065

### Diode Model



$$V_{fT} = V_T + I_f * R_T$$

$$V_T = 0.95 + (T_j * -1.2 * 10^{-3})$$

$$R_T = 0.054 + (T_j * 5.5 * 10^{-4})$$

Note:  $T_j$  = Diode Junction Temperature In Degrees Celsius, valid from 25°C to 175°C



## Revision History

Current Revision	Date of Release	Description of Changes
5	September-2023	Updated Wolfspeed branding, package drawing, and solder pad layout, Removed AEC-Q101 banner
6	October-2023	Corrected solder pad layout and diode model
7	November - 2024	Legal Disclaimer



## Notes & Disclaimer

---

WOLFSPEED PROVIDES TECHNICAL AND RELIABILITY DATA, DESIGN RESOURCES, APPLICATION OR OTHER DESIGN ADVICE, WEB TOOLS, AND OTHER RESOURCES “AS IS” AND WITH ALL FAULTS, AND DISCLAIMS ALL WARRANTIES, EXPRESS AND IMPLIED, WITH RESPECT THERETO, INCLUDING WITHOUT LIMITATION ANY IMPLIED WARRANTIES OF MERCHANTABILITY, SUITABILITY, FITNESS FOR A PARTICULAR PURPOSE, OR NON-INFRINGEMENT OF THIRD-PARTY INTELLECTUAL PROPERTY RIGHTS.

This document and the information contained herein are subject to change without notice. Any such change shall be evidenced by the publication of an updated version of this document by Wolfspeed. No communication from any employee or agent of Wolfspeed or any third party shall effect an amendment or modification of this document. No responsibility is assumed by Wolfspeed for any infringement of patents or other rights of third parties which may result from use of the information contained herein. No license is granted by implication or otherwise under any patent or patent rights of Wolfspeed.

The information contained in this document (excluding examples, as well as figures or values that are labeled as “typical”) constitutes Wolfspeed’s sole published specifications for the subject product. “Typical” parameters are the average values expected by Wolfspeed in large quantities and are provided for informational purposes only. Any examples provided herein have not been produced under conditions intended to replicate any specific end use. Product performance can and does vary due to a number of factors.

This product has not been designed or tested for use in, and is not intended for use in, any application in which failure of the product would reasonably be expected to cause death, personal injury, or property damage. For purposes of (but without limiting) the foregoing, this product is not designed, intended, or authorized for use as a critical component in equipment implanted into the human body, life-support machines, cardiac defibrillators, and similar emergency medical equipment; air traffic control systems; or equipment used in the planning, construction, maintenance, or operation of nuclear facilities. Notwithstanding any application-specific information, guidance, assistance, or support that Wolfspeed may provide, the buyer of this product is solely responsible for determining the suitability of this product for the buyer’s purposes, including without limitation (1) selecting the appropriate Wolfspeed products for the buyer’s application, (2) designing, validating, and testing the buyer’s application, and (3) ensuring the buyer’s application meets applicable standards and any other legal, regulatory, and safety-related requirements.

### **RoHS Compliance**

The levels of RoHS restricted materials in this product are below the maximum concentration values (also referred to as the threshold limits) permitted for such substances, or are used in an exempted application, in accordance with EU Directive 2011/65/EC (RoHS2), as implemented January 2, 2013. RoHS Declarations for this product can be obtained from your Wolfspeed representative or from the Product Documentation sections of [www.wolfspeed.com](http://www.wolfspeed.com).

### **REACH Compliance**

REACH substances of high concern (SVHCs) information is available for this product. Since the European Chemical Agency (ECHA) has published notice of their intent to frequently revise the SVHC listing for the foreseeable future, please contact your Wolfspeed representative to ensure you get the most up-to-date REACH SVHC Declaration. REACH banned substance information (REACH Article 67) is also available upon request.

### **Contact info:**

4600 Silicon Drive  
Durham, NC 27703 USA  
Tel: +1.919.313.5300  
[www.wolfspeed.com/power](http://www.wolfspeed.com/power)

© 2024 Wolfspeed, Inc. All rights reserved. Wolfspeed® and the Wolfstreak logo are registered trademarks and the Wolfspeed logo is a trademark of Wolfspeed, Inc.  
PATENT: <https://www.wolfspeed.com/legal/patents>

*The information in this document is subject to change without notice.*