

# Amplifier for infrared detector C4159/C5185 series, C3757-02

Low noise amplifier for InGaAs, PbS, PbSe and MCT detector



## Accessories

- Instruction manual
- 4-conductor cable (with a connector; 2 m) A4372-02

### Absolute maximum ratings (Ta=25 °C)

Parameter	Value	Unit
Operating temperature	0 to +40	°C
Storage temperature	-20 to +70	°C

### Amplifiers for photovoltaic detectors (Typ.)

Parameter	C4159-01	C4159-04	C4159-05	C4159-02	C4159-03	Unit
Applicable detector	InSb (dewer type) *1 (φ0.6 mm, 1 mm)	InSb (dewer type) *1 (φ2 mm)	InAs (P7163)	InGaAs	InGaAs	-
Conversion impedance	10 <sup>8</sup> , 10 <sup>7</sup> , 10 <sup>6</sup> (3 ranges switchable)	2 × 10 <sup>7</sup> , 2 × 10 <sup>6</sup> , 2 × 10 <sup>5</sup> (3 ranges switchable)	10 <sup>8</sup> , 10 <sup>7</sup> , 10 <sup>6</sup> (3 ranges switchable)	250 to 5 × 10 <sup>3</sup> continuous	10 <sup>7</sup> , 10 <sup>6</sup> , 10 <sup>5</sup> (3 ranges switchable)	V/A
Frequency response (amp. only, -3 dB)	DC to 100 k	DC to 45 k	DC to 15 k	20 to 120 M	DC to 15 k	Hz
Output impedance	50	50	50	50	50	Ω
Maximum output voltage (1 kΩ load)	+10	+10	+10	±1.3	+10	V
Output offset voltage	±5	±5	±10	±30	±5	mV
Equivalent input noise current (f=1 kHz)	0.15 *2	0.55	0.15 (10 <sup>8</sup> , 10 <sup>7</sup> range) 0.65 (10 <sup>6</sup> range)	30	2.5	pA/Hz <sup>1/2</sup>
Reverse voltage	Impossible			Internally generated	Can be applied from external unit	-
External power supply	±15			±15	±15	V
Current consumption *3	+30, -10 Max.			+90, -60 Max.	±15 Max.	mA

Note) Output noise voltage = Equivalent input noise current × Conversion impedance

### Amplifiers for photoconductive detectors (Typ.)

Parameter	C5185	C5185-01	C3757-02	Unit
Applicable detector	MCT (dewar type), InSb (P6606 series)	MCT (P3981/P2750 series) *4	PbS, PbSe	-
Input impedance	5	5	10000	kΩ
Voltage gain	66 (× 2000)	66 (× 2000)	40 (× 100)	dB
Frequency response (amp. only, -3 dB)	5 to 250 k	5 to 250 k	0.2 to 10 k	Hz
Detector bias current	5 mA, 10 mA, 15 mA (3 ranges switchable)	0.1 mA, 0.5 mA, 1 mA (3 ranges switchable)	Internal bias	-
Output impedance	50	50	50	Ω
Maximum output voltage (1 kΩ load)	±2.5	±2.5	±10	V
Equivalent input noise voltage (f=1 kHz)	2.6	1.2	40	nV/Hz <sup>1/2</sup>
External power supply	±15	±15	±15	V
Current consumption *3	+60, -10 Max.	+60, -10 Max.	+15, -15 Max.	mA

Note) Output noise voltage = Equivalent input noise voltage × Voltage gain

\*1: Amplifiers for multi-element detectors are separately provided.

\*2: 0.65 pA/Hz<sup>1/2</sup> when conversion impedance is set to 10<sup>6</sup> V/A

\*3: Recommended DC power supply (analog power supply): ±15 V

Current capacity: More than 1.5 times the maximum current consumption

Ripple noise: 6 mVp-p or less

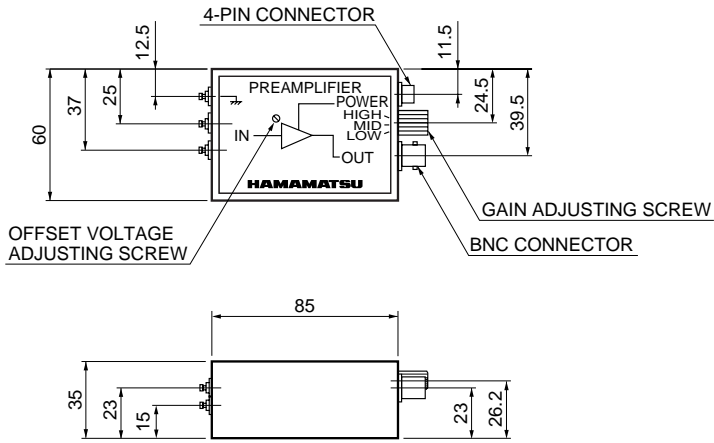
\*4: Preamp for P3257-30/-31 available upon request

# Amplifier for infrared detector C4159/C5185 series, C3757-02

www.DataSheet4U.com

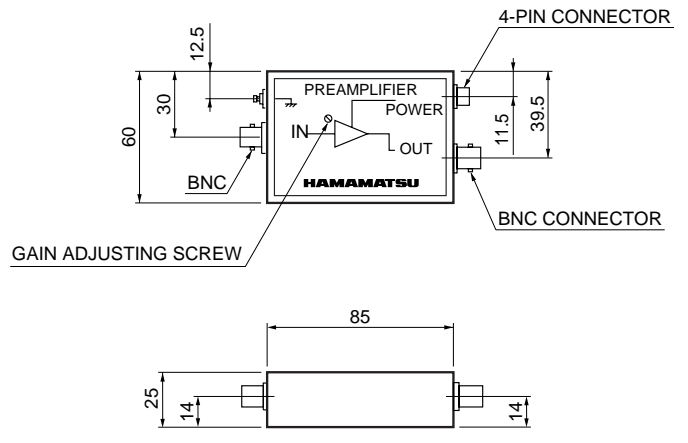
## ■ Dimensional outlines (unit: mm)

C4159-01/-03/-04/-05



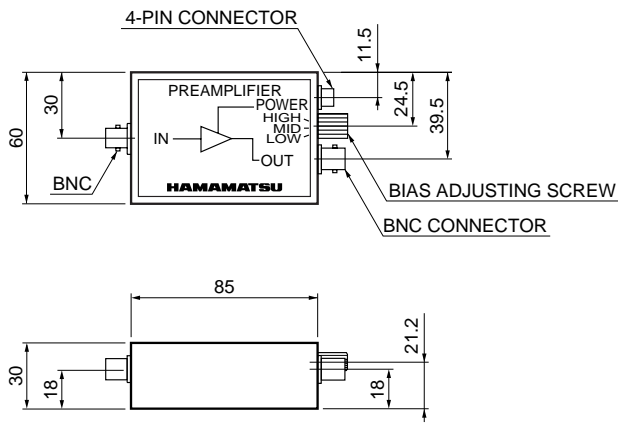
KIRDA0046EA

C4159-02



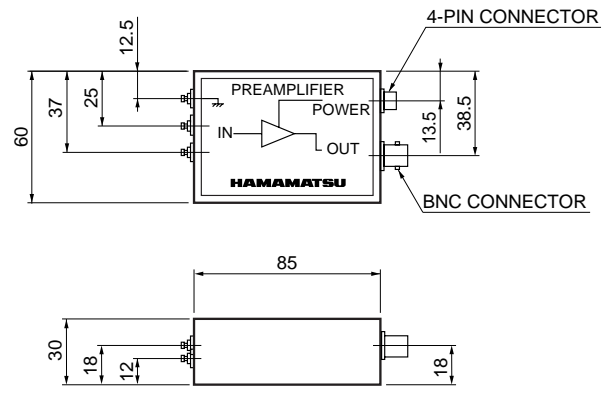
KIRDA0047EA

C5185-01



KIRDA0048EB

C3757-02



KIRDA0049EA

**HAMAMATSU**

Information furnished by HAMAMATSU is believed to be reliable. However, no responsibility is assumed for possible inaccuracies or omissions. Specifications are subject to change without notice. No patent rights are granted to any of the circuits described herein. ©2005 Hamamatsu Photonics K.K.

HAMAMATSU PHOTONICS K.K., Solid State Division

1126-1 Ichino-cho, Higashi-ku, Hamamatsu City, 435-8558 Japan, Telephone: (81) 53-434-3311, Fax: (81) 53-434-5184, www.hamamatsu.com

U.S.A.: Hamamatsu Corporation: 360 Foothill Road, P.O.Box 6910, Bridgewater, N.J. 08807-0910, U.S.A., Telephone: (1) 908-231-0960, Fax: (1) 908-231-1218

Germany: Hamamatsu Photonics Deutschland GmbH: Arzbergerstr. 10, D-82211 Herrsching am Ammersee, Germany, Telephone: (49) 08152-3750, Fax: (49) 08152-2658

France: Hamamatsu Photonics France S.A.R.L.: 19, Rue du Saule Trapu, Parc du Moulin de Massy, 91882 Massy Cedex, France, Telephone: 33-(1) 69 53 71 00, Fax: 33-(1) 69 53 71 10

United Kingdom: Hamamatsu Photonics UK Limited: 2 Howard Court, 10 Tewin Road, Welwyn Garden City, Hertfordshire AL7 1BW, United Kingdom, Telephone: (44) 1707-294888, Fax: (44) 1707-325777

North Europe: Hamamatsu Photonics Norden AB: Smidesvägen 12, SE-171 41 Solna, Sweden, Telephone: (46) 8-509-031-00, Fax: (46) 8-509-031-01

Italy: Hamamatsu Photonics Italia S.R.L.: Strada della Moia, 1/E, 20020 Arese, (Milano), Italy, Telephone: (39) 02-935-81-733, Fax: (39) 02-935-81-741

www.DataSheet4U.com  
Cat. No. KIRD1011E07  
Nov. 2005 DN