

Silicon NPN Power Transistors

2SC4589

DESCRIPTION

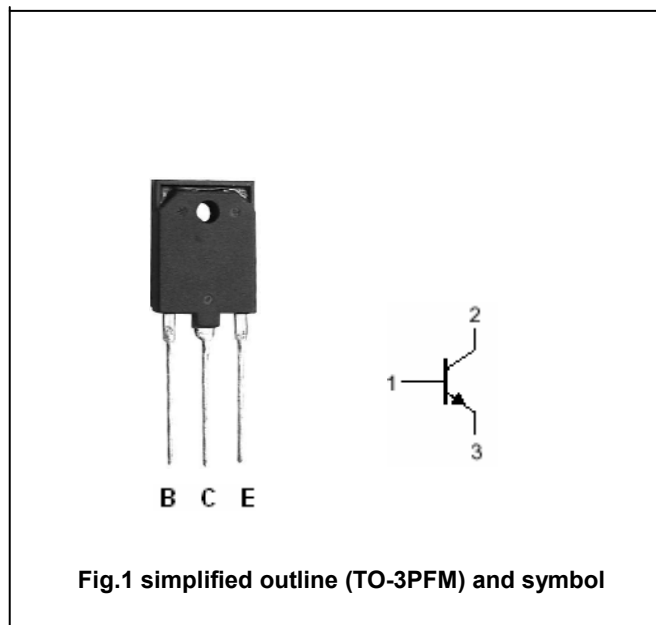
- With TO-3PFM package
- High breakdown voltage
- High speed switching

APPLICATIONS

- For color TV display horizontal deflection output applications

PINNING

PIN	DESCRIPTION
1	Base
2	Collector
3	Emitter

Absolute maximum ratings($T_c=25^\circ\text{C}$)

SYMBOL	PARAMETER	CONDITIONS	VALUE	UNIT
V_{CBO}	Collector-base voltage	Open emitter	1500	V
V_{CEO}	Collector-emitter voltage	Open base	800	V
V_{EBO}	Emitter-base voltage	Open collector	5	V
I_C	Collector current		10	A
$I_{C(surge)}$	Collector surge current		20	A
I_B	Base current		0.6	A
P_C	Collector power dissipation	$T_c=25^\circ\text{C}$	50	W
T_j	Junction temperature		150	$^\circ\text{C}$
T_{stg}	Storage temperature		-55~150	$^\circ\text{C}$

Silicon NPN Power Transistors

2SC4589

CHARACTERISTICS

T_j=25 °C unless otherwise specified

SYMBOL	PARAMETER	CONDITIONS	MIN	TYP.	MAX	UNIT
V _{(BR)CEO}	Collector-emitter breakdown voltage	I _C =10mA; R _{BE} =∞	800			V
V _{(BR)EBO}	Emitter-base breakdown voltage	I _E =10mA; I _C =0	5			V
V _{CEsat}	Collector-emitter saturation voltage	I _C =8A; I _B =1.6 A			5.0	V
V _{BEsat}	Base-emitter saturation voltage	I _C =8A; I _B =1.6 A			1.5	V
I _{CES}	Collector cut-off current	V _{CE} =1500V; R _{BE} =0			500	μA
I _{EBO}	Emitter cut-off current	V _{EB} =5V; I _C =0			100	μA
h _{FE}	DC current gain	I _C =1A; V _{CE} =5V	8		38	
t _f	Fall time	I _{CP} =7A; I _{B1} =1.4A		0.2	0.5	μs

Silicon NPN Power Transistors

2SC4589

PACKAGE OUTLINE

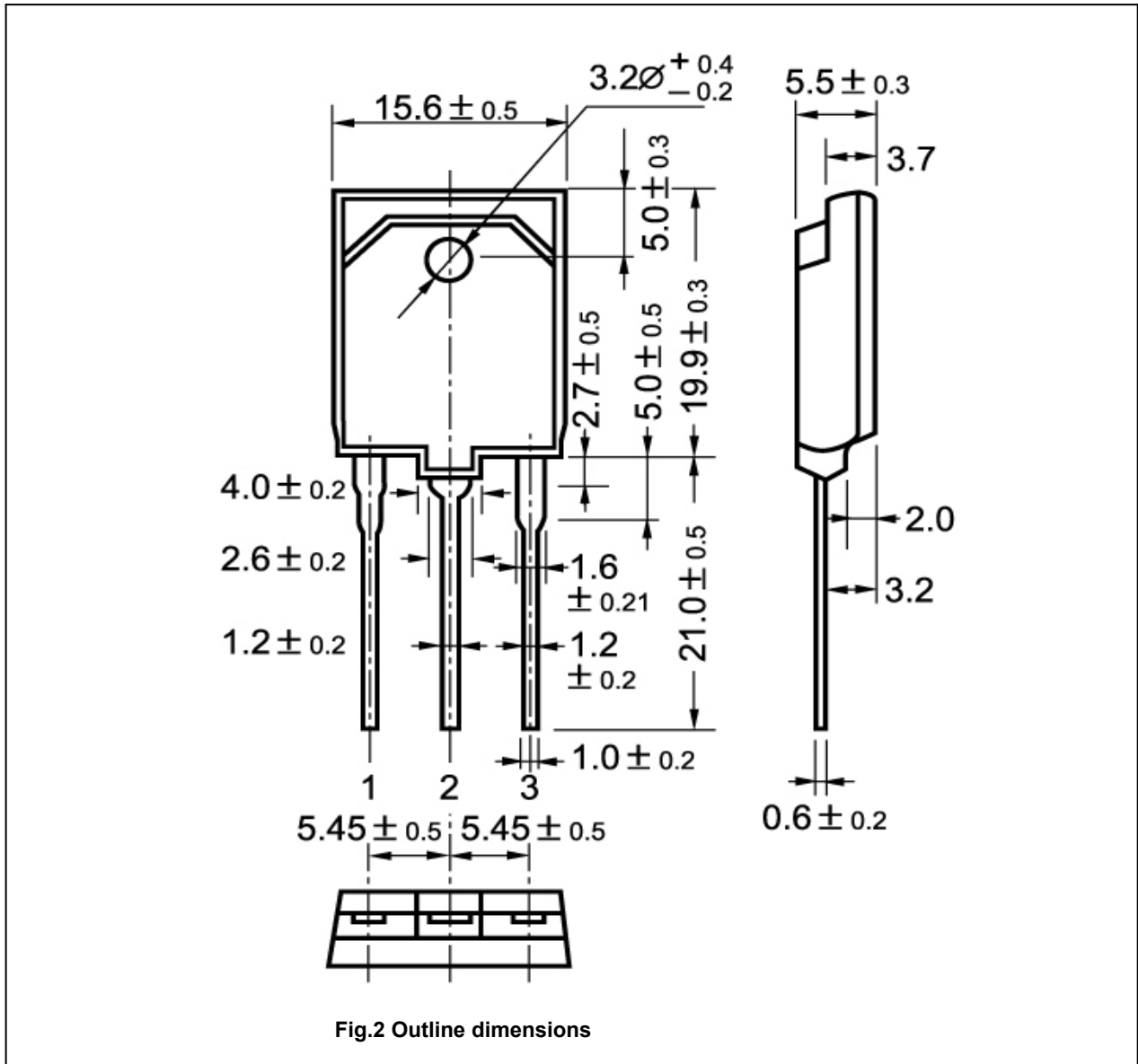


Fig.2 Outline dimensions