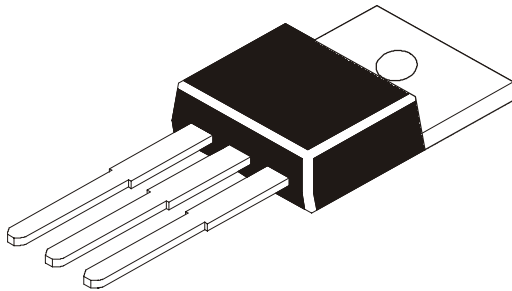


PNP SILICON EPITAXIAL POWER TRANSISTORS

**C45C5,11
TO-220**



Designed for Various Specific and General Purpose Applications.

ABSOLUTE MAXIMUM RATINGS(Ta=25deg C)

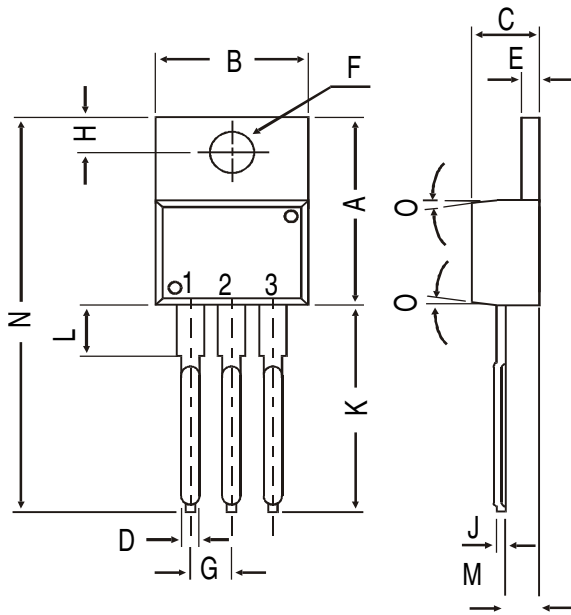
DESCRIPTION	SYMBOL	C45C5	C45C11	UNIT
Collector -Emitter Voltage	VCEO	45	80	V
Collector -Emitter Voltage	VCES	55	90	V
Emitter Base Voltage	VEBO	5	5	V
Collector Current Continuous	IC	4	4	A
Peak*	ICM	6	6	A
Base Current	IB	2	2	A
Power Dissipation @ Ta=25 deg C	PD	1.67	1.67	W
Power Dissipation @ Tc=25 deg C		30	30	W
Operating and Storage Junction Temperature Range	Tj, Tstg	-55 to +150	55 to +150	deg C
THERMAL RESISTANCE				
Junction to Ambient	Rth(j-a)	75	75	deg C
Junction to Case	Rth(j-c)	4.2	4.2	deg C

ELECTRICAL CHARACTERISTICS (TC=25 deg C Unless Specified)

DESCRIPTION	SYMBOL	TEST CONDITION	MIN	TYP	MAX	UNIT
Collector Emitter Sustaining Voltage	VCEO(sus)*	IC=100mA, IB=0				
		C45C5	45	-	-	V
		C45C11	80	-	-	V
Collector Cutt off Current	ICES	VCE=Rated VCES	-	-	10	uA
Emitter Cut off Current	IEBO	VEB=5V, IC=0	-	-	100	uA
Collector Emitter Saturation Voltage	VCE(Sat)*	IC=1A, IB=50mA	-	-	0.5	V
Base Emitter Saturation Voltage	VBE(Sat)*	IC=1A, IB=100mA	-	-	1.3	V
Dc Current Gain	hFE*	IC=0.2A, VCE=1V	40	-	120	
		IC=1A, VCE=1V	20	-	-	
Dynamic Characteristics						
Transition Frequency	ft	VCE=4V, IC=20mA	-	40	-	MHz
Collector Output Capacitance	Ccbo	VCB=10V, IE=0	-	-	125	pF
		f=1MHz				
Switching Time						
Delay Time	td +tr		-	50	-	ns
Rise Time		IC= 1A, IB1=1B2				
Storage Time	ts	0.1A, VCC=30V,	-	500	-	ns
Fall Time	tf	tp=25 usec	-	50	-	ns

*Pulse Test Pulse Width =300ms, Duty Cycle=2%

TO-220 Plastic Package

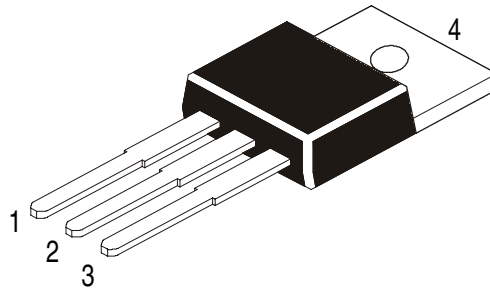


DIM	MIN.	MAX.
A	14.42	16.51
B	9.63	10.67
C	3.56	4.83
D	—	0.90
E	1.15	1.40
F	3.75	3.88
G	2.29	2.79
H	2.54	3.43
J	—	0.56
K	12.70	14.73
L	2.80	4.07
M	2.03	2.92
N	—	31.24
O	DEG 7	

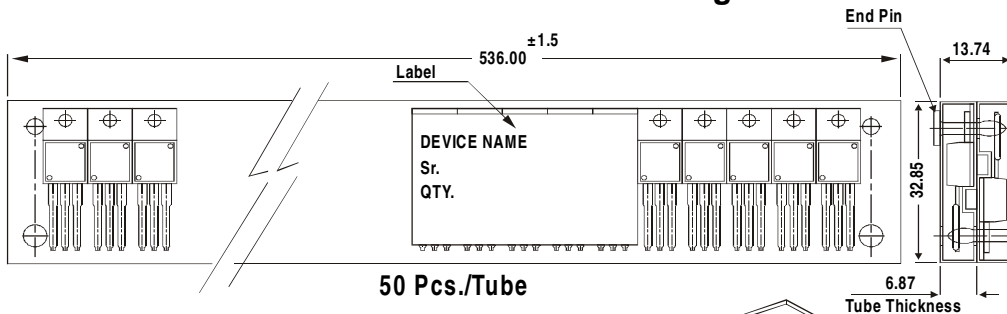
All dimensions in mm.

PIN CONFIGURATION

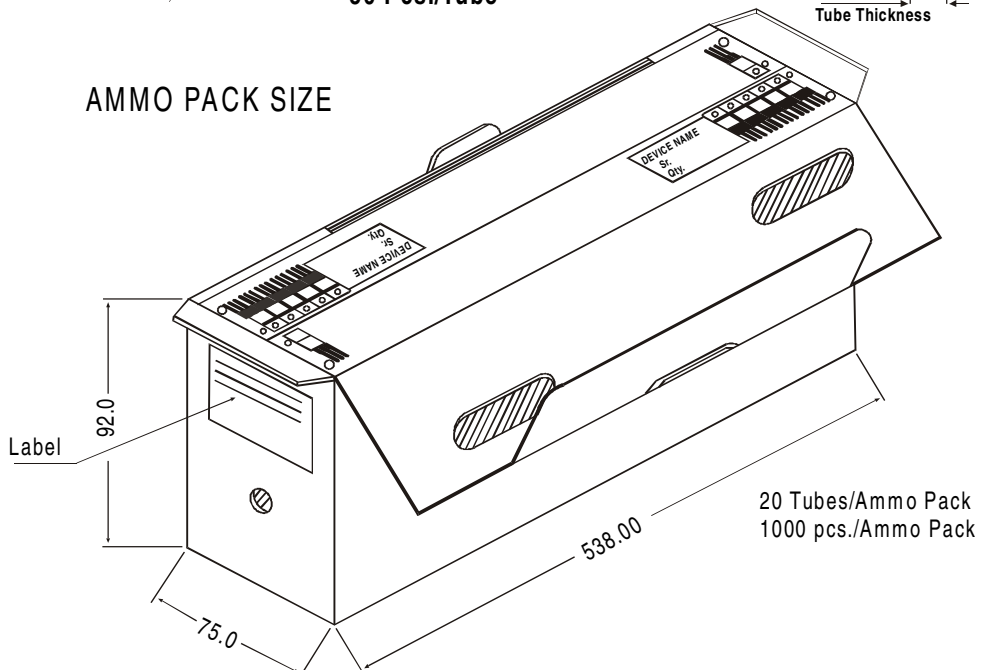
1. BASE
2. COLLECTOR
3. EMITTER
4. COLLECTOR



TO-220 Tube Packing



AMMO PACK SIZE



Packing Detail

PACKAGE	STANDARD PACK		INNER CARTON BOX		OUTER CARTON BOX		
	Details	Net Weight/Qty	Size	Qty	Size	Qty	Gr Wt
TO-220 / FP	200 pcs/polybag	396 gm/200 pcs	3" x 7.5" x 7.5"	1.0K	17" x 15" x 13.5"	16.0K	36 kgs
	50 pcs/tube	120 gm/50 pcs	3.5" x 3.7" x 21.5"	1.0K	19" x 19" x 19"	10.0K	29 kgs

Notes

Disclaimer

The product information and the selection guides facilitate selection of the CDIL's Discrete Semiconductor Device(s) best suited for application in your product(s) as per your requirement. It is recommended that you completely review our Data Sheet(s) so as to confirm that the Device(s) meet functionality parameters for your application. The information furnished on the CDIL Web Site/CD is believed to be accurate and reliable. CDIL however, does not assume responsibility for inaccuracies or incomplete information. Furthermore, CDIL does not assume liability whatsoever, arising out of the application or use of any CDIL product; neither does it convey any license under its patent rights nor rights of others. These products are not designed for use in life saving/support appliances or systems. CDIL customers selling these products (either as individual Discrete Semiconductor Devices or incorporated in their end products), in any life saving/support appliances or systems or applications do so at their own risk and CDIL will not be responsible for any damages resulting from such sale(s).

CDIL strives for continuous improvement and reserves the right to change the specifications of its products without prior notice.



CDIL is a registered Trademark of

Continental Device India Limited

C-120 Naraina Industrial Area, New Delhi 110 028, India.

Telephone + 91-11-2579 6150, 5141 1112 Fax + 91-11-2579 5290, 5141 1119

email@cdil.com www.cdilsemi.com