

C65(CBB65)Series

AC Metallized Polypropylene Film Motor Running Capacitor

- Self-healing property,excellent stable performance and reliability
- Anti-explosion design,more safety
- Widely applied to starting and running of AC single-phase motor at 50/60Hz frequency power, such as washing maching,air conditioner,UPS etc.



Technical Data

Reference Standard	IEC 60252-1,UL810,EN60252
Climatic Category	40/70/21、40/105/21
Operating temperature range	-40℃~+105℃
Rated Voltage	250VAC、450VAC (50/60Hz)
Capacitance Range	3μF -80μF
Capacitance Tolerance	±5%(J)、±10%(K)
Voltage Proof	Between terminals: 2UR/10s or1.5UR/60s
	Between terminals and case:≥2300VAC(10s)
Dissipation Factor	tgδ≤0.0020(100Hz)
Insulation Resistance	T-T≥3000MQ. μF
	T-C≥2000MQ
Degree of protection	P2
Maximum Operating Voltage	1.1Un
Maximum Operating Current	1.3In
Class of Operation	A class(30000h),B class(10000h),C class(3000h)

Dimension Table(in mm)

C65-A(Round Aluminum case)

Rated cap (μF)	250VAC		450VAC	
	D±2.0	H±2.0	D±2.0	H±2.0
2.0	25	45	25	60
3.0	25	45	25	60
4.0	25	60	40	55
5.0	25	60	40	55
6.0	30	60	40	55
8.0	30	60	40	55
10	40	55	40	55
12	40	55	45	60
15	40	55	40	75
20	40	65	45	75
30	40	75	50	85
35	45	75	50	110
40	45	80	50	110
45	45	80	50	110
50	45	90	55	110
60	45	100	55	120
70	50	100	60	115
80	60	130	60	130

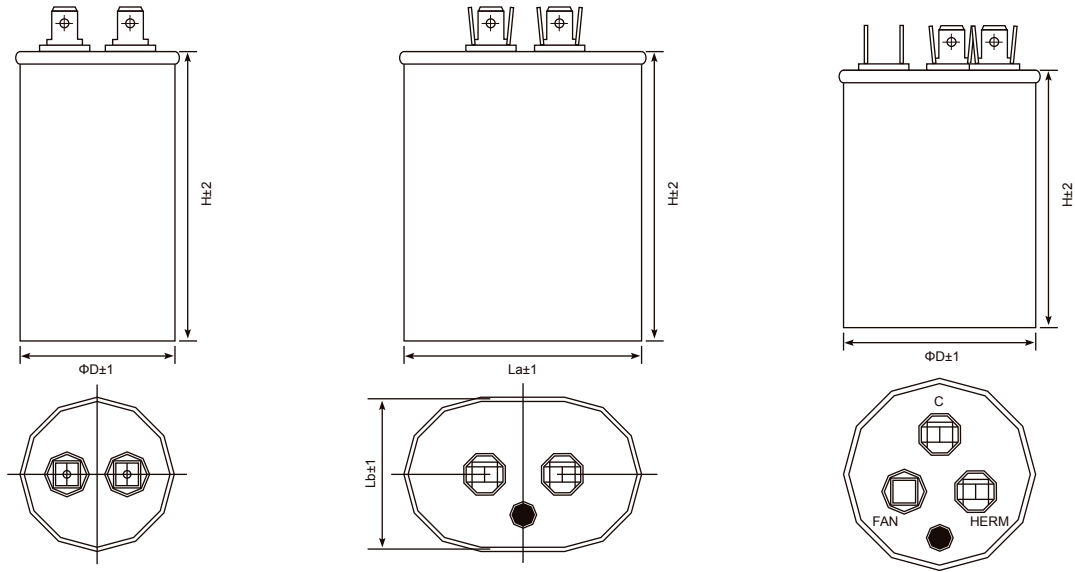
C65-B(Oval aluminum case)

Rated cap (μF)	450VAC		
	La±2.0	Lb±2.0	H±2
1+3	70	45	60
20+5	70	45	85
25+5	70	45	85
30+5	70	45	100
45+7.5	70	45	100
55+5	90	48	100
70+5	90	48	125
80+20	90	48	150

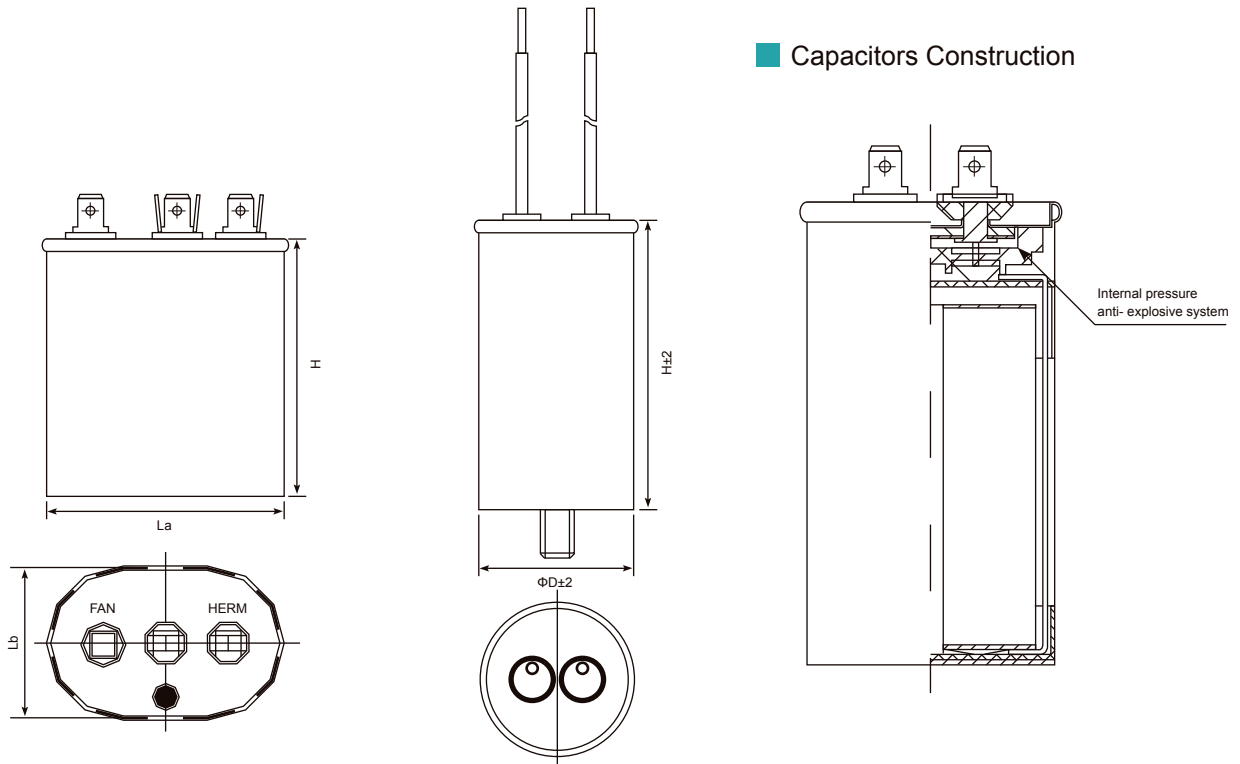
C65(CBB65)Series

AC Metallized Polypropylene Film Motor Running Capacitor

■ Typical outline



■ Capacitors Construction



⚠ In order to allow a correct working of the safety device and to assure a sufficient electric insulation, a room of almost 15 mm will have to be assured