

**Cascadable Amplifier**  
10 to 1000 MHz

**A1031/ SMA1031**

V3

**Features**

- HIGH EFFICIENCY: 36 mA at +5 Vdc
- LOW NOISE FIGURE: 2.7 dB (TYP.)
- HIGH GAIN, TWO STAGES: 28.5 dB (TYP.)
- MED OUTPUT POWER: +10 dBm (TYP.)

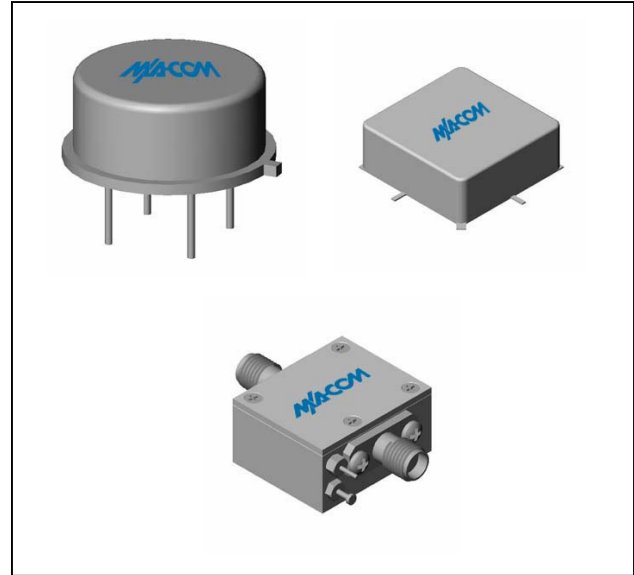
**Description**

The A1031RF amplifier is a discrete hybrid design, which uses thin film manufacturing processes for consistent performance and high reliability.

This 2 stage bipolar transistor feedback amplifier design displays impressive performance over a broadband frequency range. An active DC biasing network insures temperature-stable performance.

Both TO-8 and Surface Mount packages are hermetically sealed, and MIL-STD-883 environmental screening is available

**Product Image**



**Ordering Information**

Part Number	Package
A1031	TO-8
SMA1031	Surface Mount
CA1031	SMA Connectorized

**Electrical Specifications:  $Z_0 = 50\Omega$ ,  $V_{CC} = +5 V_{DC}$**

Parameter	Units	Typical	Guaranteed	
		25°C	0° to 50°C	-54° to +85°C*
Frequency	MHz	5-1100	10-1000	10-1000
Small Signal Gain (min)	dB	28.5	26.5	26.0
Gain Flatness (max)	dB	±0.4	±0.8	±1.0
Reverse Isolation	dB	35		
Noise Figure (max)	dB	2.7	3.5	4.0
Power Output @ 1 dB comp. (min)	dBm	10.0	9.0	8.5
IP3	dBm	+22		
IP2	dBm	+33		
Second Order Harmonic IP	dBm	+39		
VSWR Input / Output (max)		1.5:1 / 1.5:1	1.9:1 / 1.9:1	2.0:1 / 2.0:1
DC Current @ 5 Volts (max)	mA	36	39	42

**Absolute Maximum Ratings**

Parameter	Absolute Maximum
Storage Temperature	-62°C to +125°C
Case Temperature	125°C
DC Voltage	+10 V
Continuous Input Power	+10 dBm
Short Term Input power (1 minute max.)	50 mW
Peak Power (3 µsec max.)	0.5 W
"S" Series Burn-In Temperature (case)	125°C

**Thermal Data:  $V_{CC} = +5 V_{DC}$**

Parameter	Rating
Thermal Resistance $\theta_{jc}$	160°C/W
Transistor Power Dissipation $P_d$	0.103 W
Junction Temperature Rise Above Case $T_{jc}$	16°C

\* Over temperature performance limits for part number CA1031, guaranteed from 0°C to +50°C only.

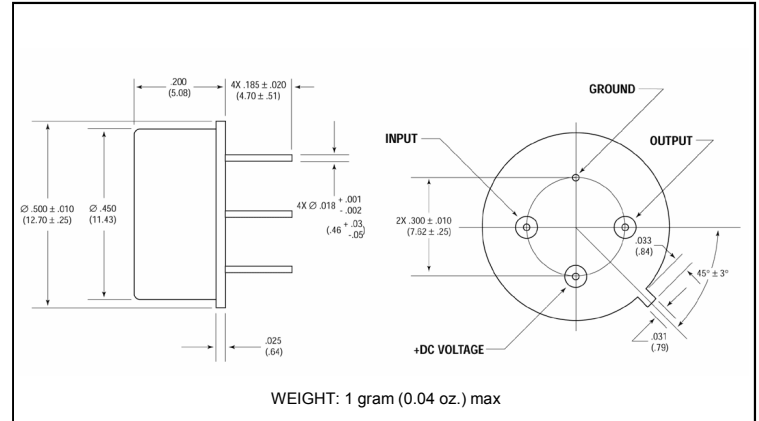
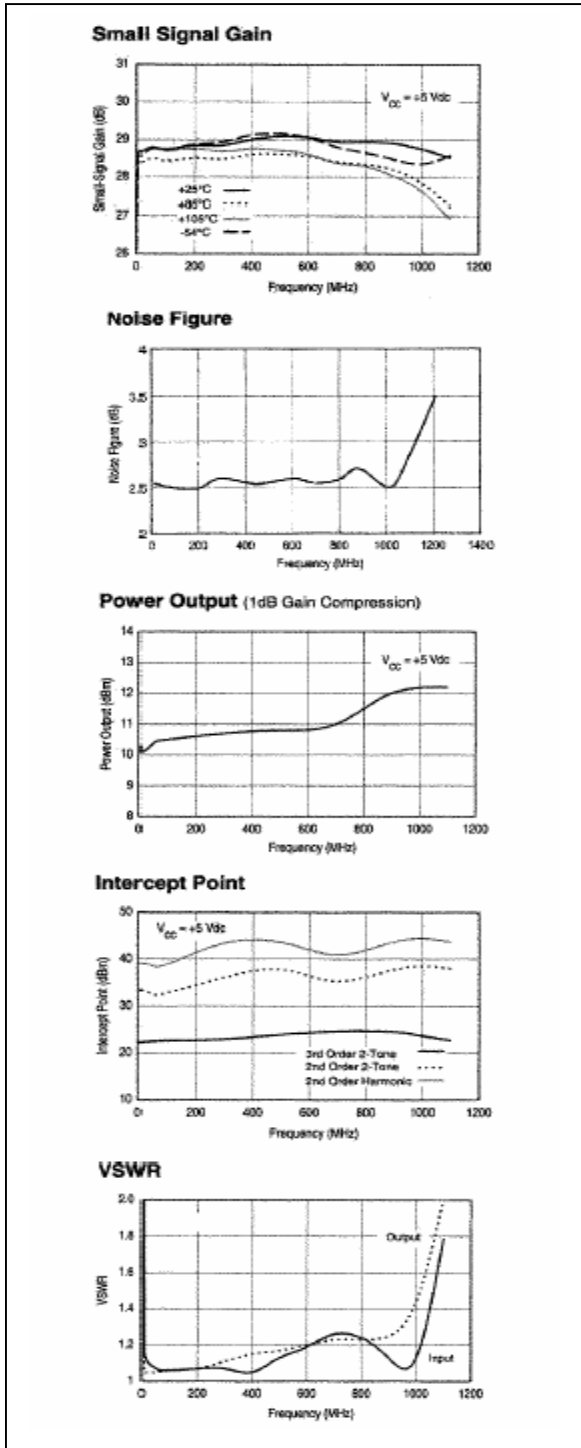
**Cascadable Amplifier**  
10 to 1000 MHz

**A1031/ SMA1031**

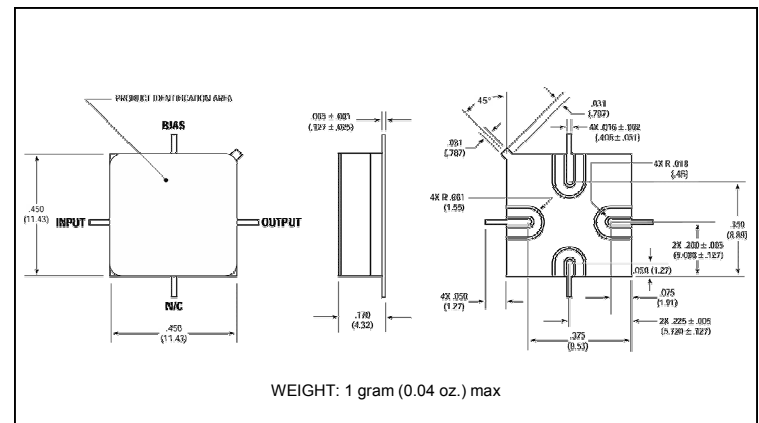
V3

**Typical Performance Curves at +25°C**

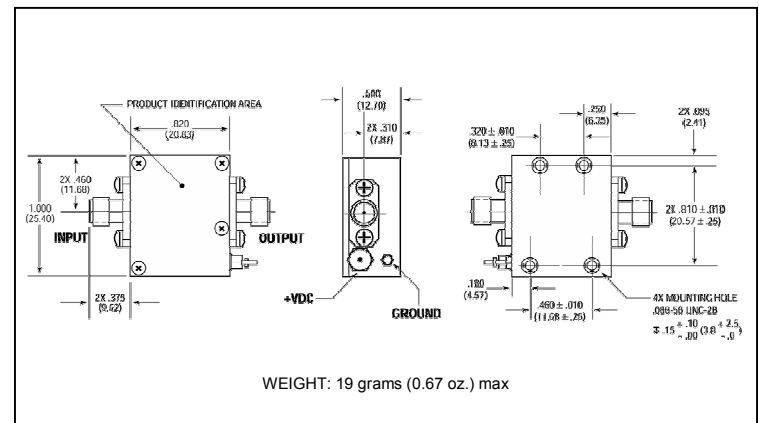
**Outline Drawing: TO-8 \***



**Outline Drawing: Surface Mount \***



**Outline Drawing: SMA Connectorized \***



\* Dimensions are inches (millimeters) ±0.015 (0.38) unless otherwise specified.