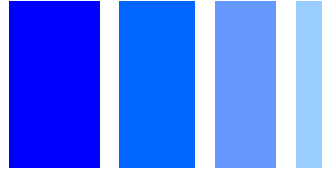


LF Receiver Antenna CAD10D30



Description

- LF receiver antenna for Z axis.
- Low profile.
- L × W × H: 9.6 × 9.2x 3.2 mm Max.
- Product weight:0.61g Ref..
- RoHS compliance.

Environmental Data

- Operating temperature range: -40°C~+85°C
- Storage temperature range: -40°C~+125°C

Packaging

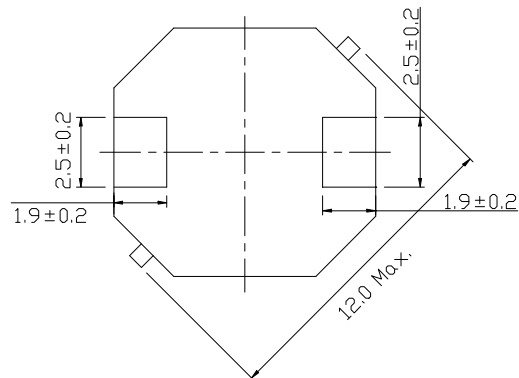
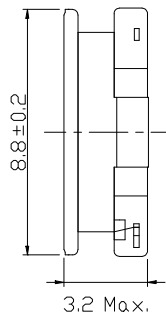
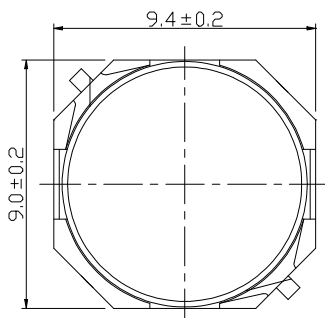
- Carrier Tape and Reel.
- Tape specification according to EIA481.
- 1000pcs/reel.

Applications

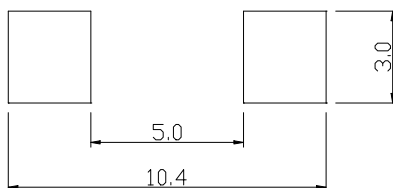
- PEPS, Smart key system.
- Security system



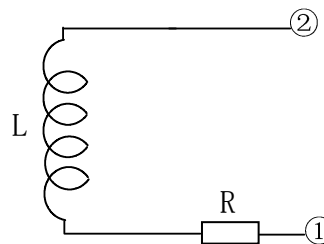
Dimension - [mm]



Suggest PCB layout - [mm]



Schematic diagram



L: Ferrite core coil inductance.
R: Copper resistance.

LF Receiver Antenna CAD10D30



Electrical Characteristics

Part No.	Stamp	Inductance(1-2)		Unloaded Q Min.	SRF Min.(kHz)	DCR Ref.(Ω)
		(mH)	Within(%)			
CAD10D30-223	223	2.38	±5	50	1000	21
CAD10D30-242	242	2.47	±5	50	1000	26
CAD10D30-342	342	3.45	±5	50	1000	27
CAD10D30-402	402	4.05	±5	50	1000	33
CAD10D30-472	472	4.77	±5	50	1000	38
CAD10D30-492	492	4.90	±5	50	1000	39
CAD10D30-722	722	7.20	±5	50	700	59
CAD10D30-902	902	9.0	±5	50	700	75
CAD10D30-103	103	10.0	±5	50	700	81
CAD10D30-163	163	16.2	±5	50	500	127

* It is possible for different inductance value.

For more information, please browse our website <http://www.sumida.com>

Hong Kong

Tel.+852-2880-6688
FAX.+852-2565-9600

Tokyo

Tel.+81-3-5202-7112
FAX.+81-3-5202-7105

Chicago

Tel.+1-847-545-6700
FAX. +1-847-545-6720

Shanghai

Tel.+86-021-5836-3299
FAX.+86-021-5836-3266

Seoul

Tel.+82-2-6237-0777
FAX.+82-2-6237-0778

Obernzell

Tel.+49-8591-937-0
FAX. +49-8591-937-103

Shenzhen

Tel.+86-755-8291-0228
FAX.+86-755-8291-0338

Singapore

Tel.+65-6296-3388
FAX.+65-6296-3390

Neumarkt

Tel.+49-9181-4509-110
FAX. +49-9181-4509-310

Taipei

Tel.+886-2-8751-2737
FAX.+886-2-8751-2738

San Jose

Tel.+1-408-321-9660
FAX.+1-408-321-9308