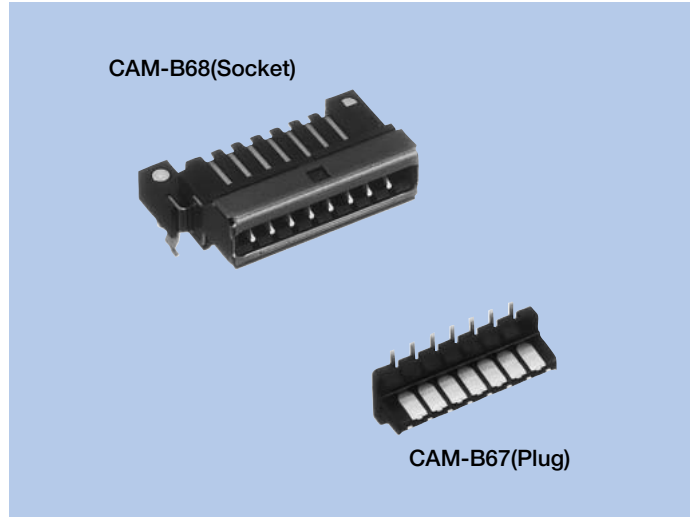


Detach Connectors CAM-B67, B68

FEATURES

1. Due to these connectors, the front panel can be removed or mounted for preventing the car audio from being stolen. They are also suitable for connecting the circuit between various electronic units.
2. These connectors can absorb a fitting play by setting the fitting port size.
3. Since each socket connector can directly be mounted to the main PCB of the set, VA of the set is possible.
A metallic cover is mounted for preventing static electricity.



HOW TO ORDER

www.DataSheet4u.com

1. CAM-B67 (Plug)

B67-015-02 0-A G G A A
 1 2 3 4 5 6 7 8 9

- 1 Series No. (B67)
- 2 No. of contacts (015 : 15pins)
- 3 Housing Material (02 : PBT resin)
- 4 UL grade of housing (0 : UL94V-0)
- 5 Contact plating (A : Gold)
- 6 Contact pin plating thickness (G : 0.3μm)
- 7 Contact pin lead profile (G : Angle SMT)
- 8 Attachment on connector fitting side (A : None)
- 9 Attachment on connector PCB side (A : None)

2. CAM-B68 (Socket)

B68-015-02 0-A G B A G
 1 2 3 4 5 6 7 8 9

- 1 Series No. (B68)
- 2 No. of contacts (015 : 15pins)
- 3 Housing Material (02 : PBT resin)
- 4 UL grade of housing (0 : UL94V-0)
- 5 Contact plating (A : Gold)
- 6 Contact pin plating thickness (G : 0.3μm)
- 7 Contact pin lead profile (B : Angle)
- 8 Attachment on connector fitting side (A : None)
- 9 Attachment on connector PCB side (A : Guide pin)

SPECIFICATIONS

ELECTRICAL CHARACTERISTICS

Rated Voltage	14V DC
Rated Current	1A
Withstanding Voltage	500V AC (rms) 1minute
Insulation Resistance	100MΩ min. (at 500V DC)
Contact Resistance	70mΩ max.

MECHANICAL CHARACTERISTICS

Life (Matching Cycle)	10,000 times
Total Insertion Force	14.7N (1.5kgf) max.
Using Temperature Range	-30~+85°C

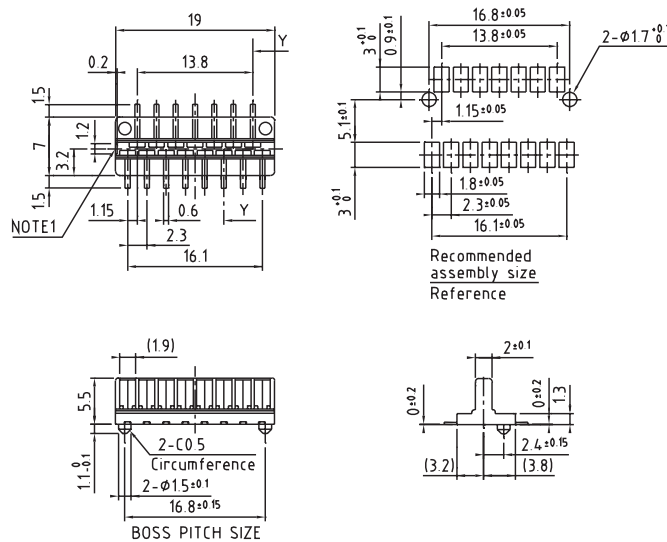
*Contact : 15 pins

MATERIAL & FINISH

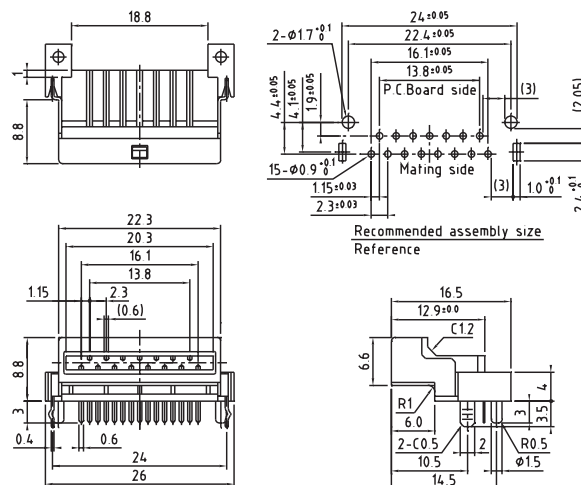
Component Parts		Material	Finish
CAM-B67	Housing	Glass filled PBT resin	—
	Contact	Copper Alloy	Gold plating
CAM-B68	Housing	Glass filled PBT resin	—
	Contact	Copper Alloy	Gold plating
	Cover	Copper Alloy	Tin reflow plating
		Copper Alloy	Black nickel plating
Guide Pin	Copper Alloy	Gold flash plating	

DIMENSIONS

CAM-B67



CAM-B68



Unit : mm