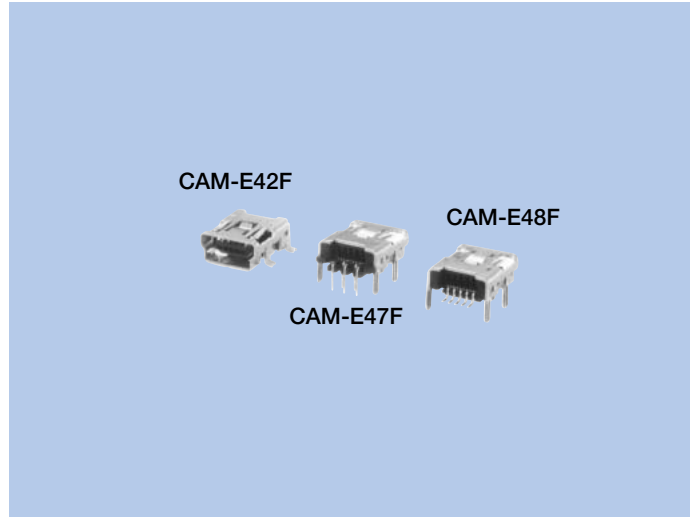


# USB Series "Mini-B" Connectors

## CAM-E42F · E47F · E48F

### FEATURES

1. Ultra-small size realized for 5 pins.  
 Compared to MITSUMI's conventional product  
 Volume : 1/10  
 Coupling projection area ratio : 1/5
2. Ideal for connections between PCs and small, thin PC peripherals, such as digital still cameras, portable music players, mobile phones, etc.).
3. Sequential mechanism that shifts contact timing for power supply and signal contact is used.
4. Couple/decouple reliability ensured for 5,000 times
5. Weight : 0.6g
6. Supports USB 2.0



### HOW TO ORDER

**1. CAM-E42F**

**E42F-005-8904A**  
 1      2      3

- 1 Series No. (E42F)
- 2 No. of contacts (005 : 5pins)
- 3 Product Specifications

**2. CAM-E47F**

**E47F-005-8903A**  
 1      2      3

- 1 Series No. (E47F)
- 2 No. of contacts (005 : 5pins)
- 3 Product Specifications

**3. CAM-E48F**

**E48F-005-8902A**  
 1      2      3

- 1 Series No. (E48F)
- 2 No. of contacts (005 : 5pins)
- 3 Product Specifications

## SPECIFICATIONS

### ELECTRICAL CHARACTERISTICS

Rated Voltage	AC 5V (rms)
Rated Current	1.0A
Withstanding Voltage	100V AC (rms) 1minute
Insulation Resistance	100MΩ min. (at 500V DC)
Contact Resistance	50mΩ max.

### MECHANICAL CHARACTERISTICS

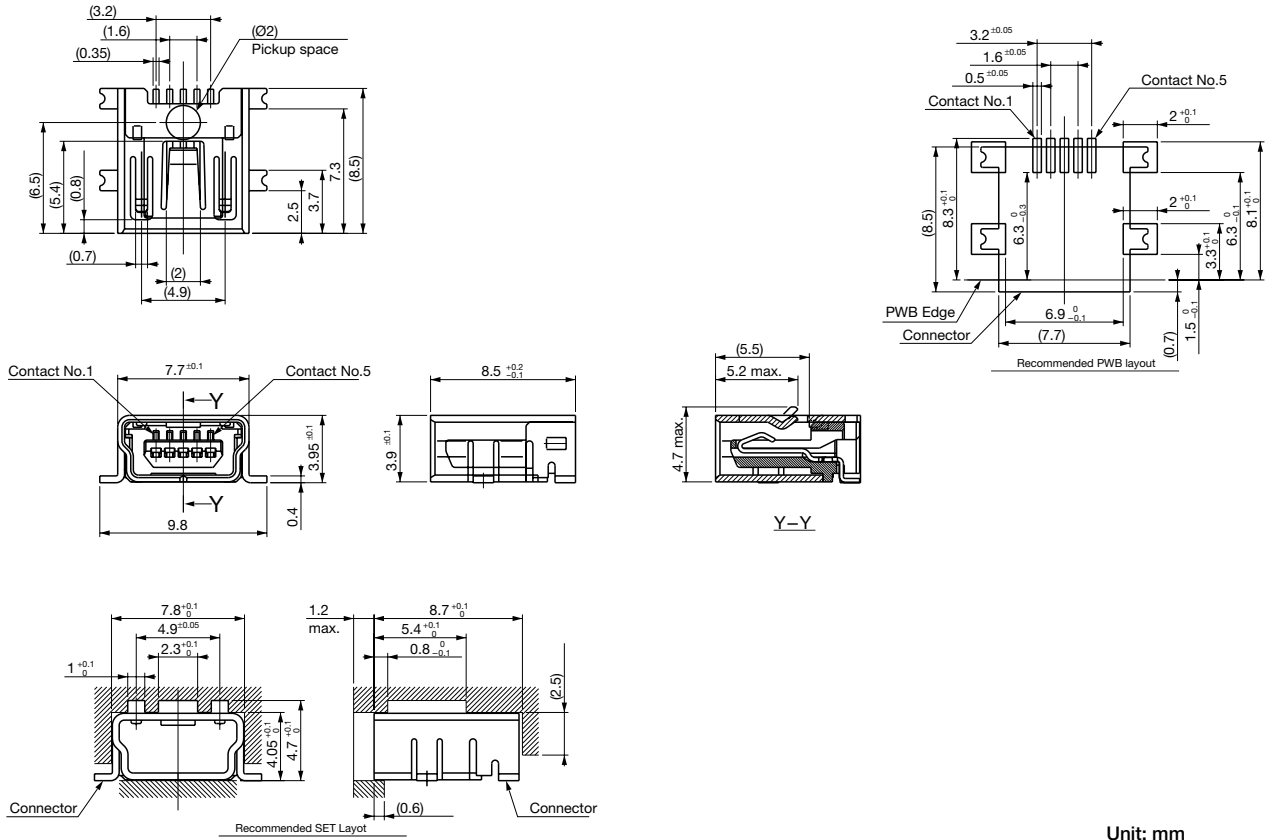
Life (Matching Cycle)	5,000 times
Total Insertion Force	35N (3.57kgf) max.
Total Withdrawal Force	Beginning 7N (0.71kgf) min.
	After 5,000 times 3N (0.31kgf) min.

## MATERIAL & FINISH

Component parts		Material	Finish
CAM-E42F · E47F · E48F	Housing	Thermo plastic	Black
	Contact	Copper alloy	Contact area: Gold
	Shield Case	Copper alloy	Tin reflow plating (Gold plating is also available)

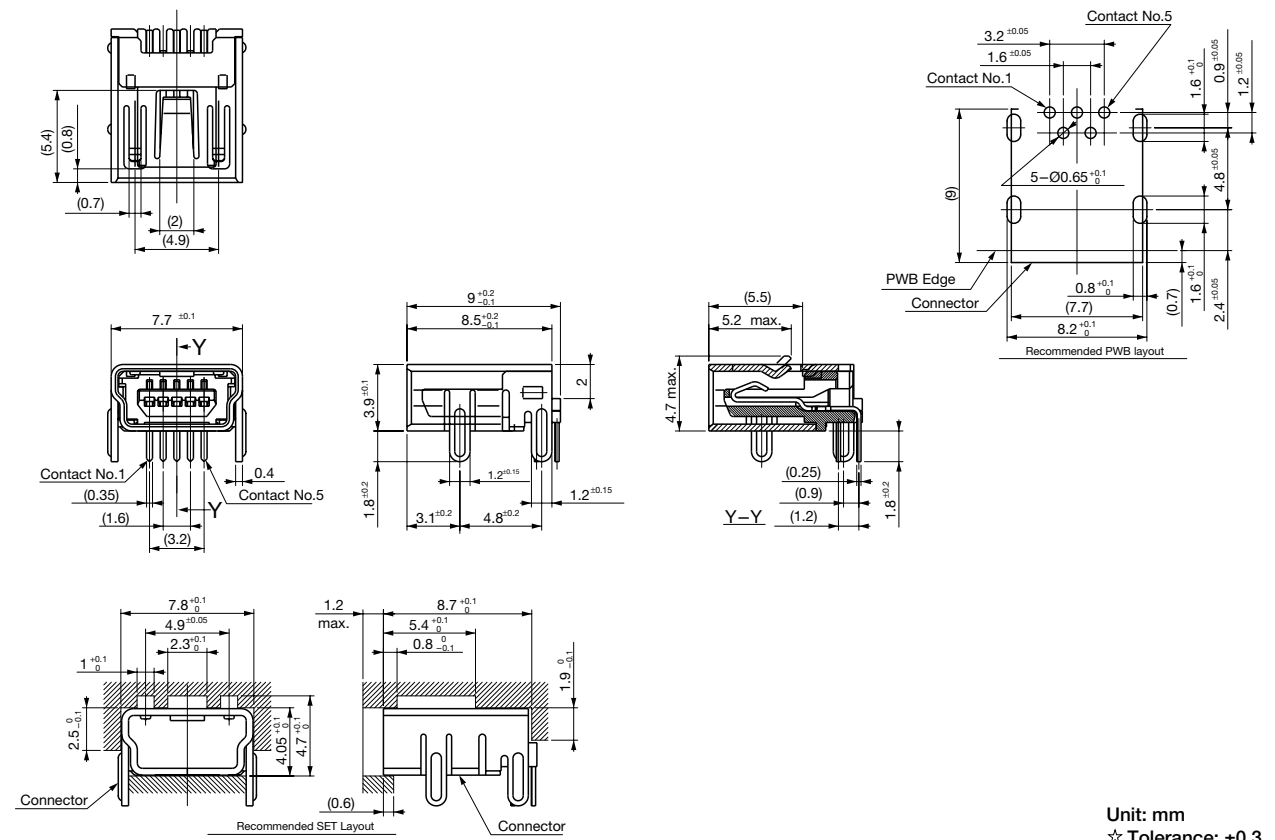
# DIMENSIONS

## CAM-E42F



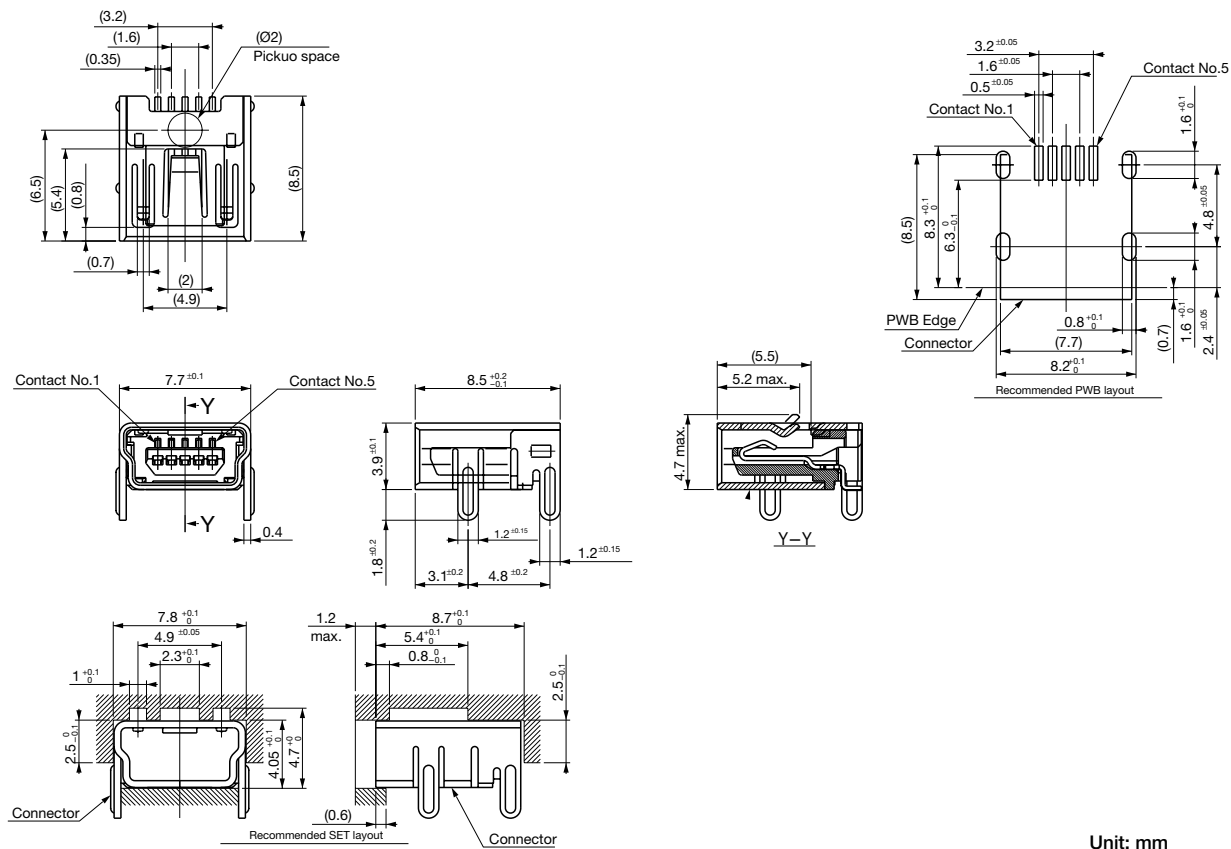
Unit: mm  
☆ Tolerance: ±0.3

## CAM-E47F



Unit: mm  
☆ Tolerance: ±0.3

CAM-E48F



Unit: mm  
 ☆ Tolerance: ±0.3