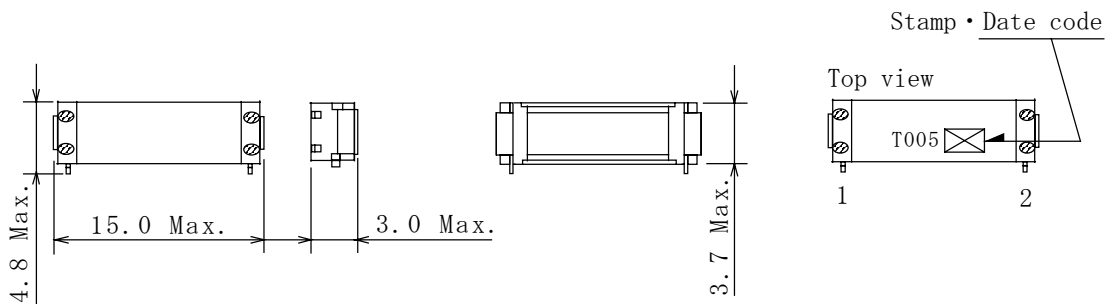
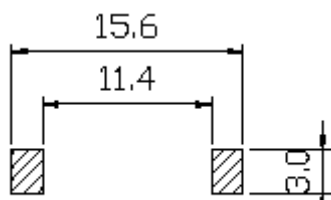
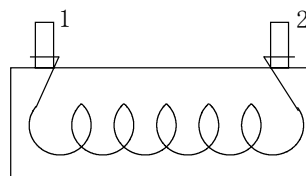


Type: CAS14D26
◆ Product Description

- 15.0×4.8mm Max.(L×W),3.0mm Max. Height.
- Operating temperature: -40°C~+85°C.


◆ Feature

- LF transponder receiver antenna.
- Ideally used in keyless smart entry system.
- RoHS Compliance.

◆ Dimensions (mm)

◆ Land Pattern (mm)

◆ Schematics(Bottom)


“S” is winding start.

◆ Specification

	(2 - 1)	Measuring conditions
Inductance	2.38mH±5% Within	125kHz,1V
Unloaded Q	MIN. 30	125kHz,1V
D.C.R.	27Ω (Ref.)	at 25°C