

FEATURES

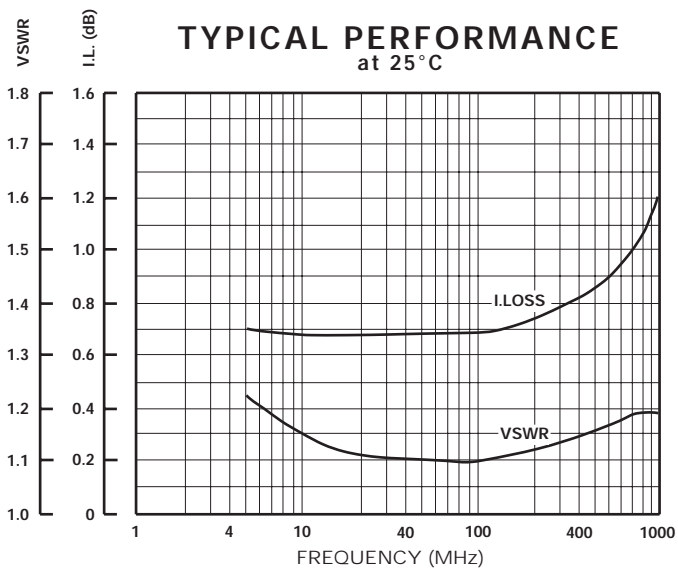
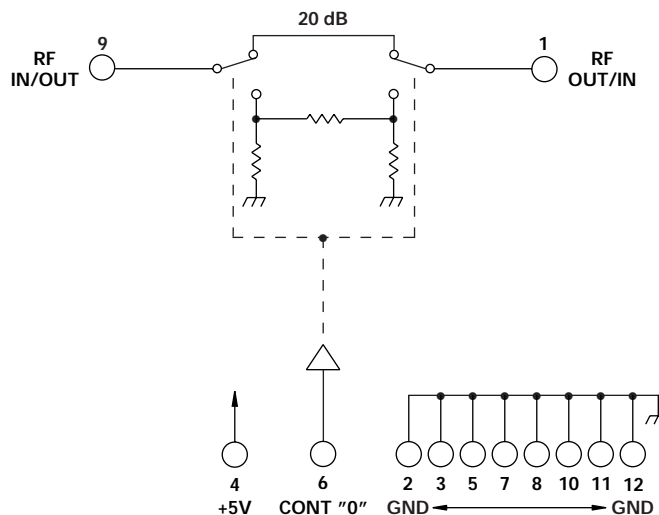
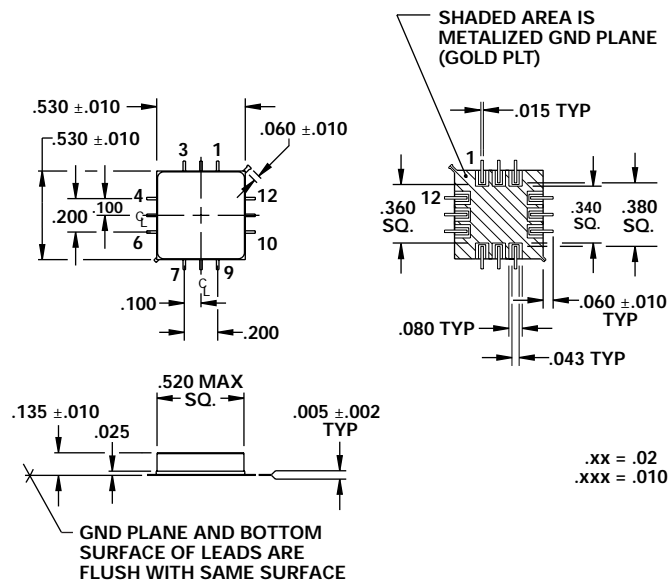
- 200 - 600 MHz
- SPACE Application
- Hermetic Package
- Small Size
- Surface Mount
- Radiation Tolerant, 100 K Rad



MODEL NO.
CAT15065

GaAs 1 Section Attenuator

1 BIT



GUARANTEED PERFORMANCE

Parameter	Min	Typ	Max	Units	Conditions
Operating Frequency	200		600	MHz	
DC Current		0.2	1.0	mA	At +5 VDC Supply
Control Type		CMOS			1 Line Logic "0" = Thru Logic "1" = Attenuation
Control Current		0	±20	µA	3 - 5 Volts
		0	±20	µA	0 - 0.5 Volts
Insertion Loss		1.0	1.5	dB	
Attenuation		20	20	dB	± (0.15 dB + 2% of Atten Setting in dB)
	LSB	0		dB	
	Range Accuracy			dB	
	Flatness		±0.2	dB	
VSWR		1.1/1	1.25/1		
Impedance		50		OHMS	
Switching Speed		20	50	nSec	50% Control Signal 90% / 10% RF
Transition (Rise/Fall) Time		10		nSec	10% / 90% or 90% / 10% RF
Switching (Video) Transients		45		mV	Peak Value
Intercept Points		+75	+80	dBm	
		+40	+48	dBm	
RF Power		+12	+10	dBm	0.1 dB Compression
	Operate No Damage		+27	dBm	
Operating Temperature	0	+25	+65	°C	TA
Non-Operating Temperature	-34		+95	°C	TA