



CAT515

8-Bit Quad Digital POT with Independent Reference Inputs

FEATURES

- Output settings retained without power
- Independent Reference Inputs
- Output range includes both supply rails
- Programming voltage generated on-chip
- 4 independently addressable outputs
- Serial μ P interface
- Single supply operation: 2.7V-5.5V

APPLICATIONS

- Automated product calibration.
- Remote control adjustment of equipment
- Offset, gain and zero adjustments in Self-Calibrating and Adaptive Control systems.
- Tamper-proof calibrations.

DESCRIPTION

The CAT515 is a quad 8-Bit Memory DAC designed as an electronic replacement for mechanical potentiometers and trim pots. Intended for final calibration of products such as camcorders, fax machines and cellular telephones on automated high volume production lines and systems capable of self calibration, it is also well suited for applications where equipment requiring periodic adjustment is either difficult to access or located in a hazardous environment.

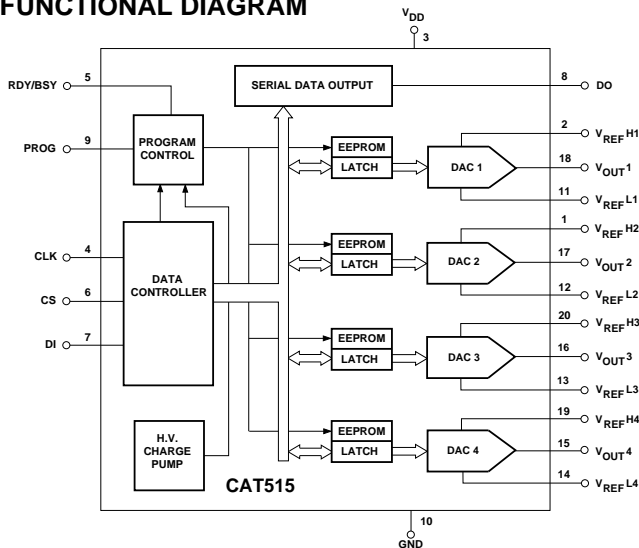
The CAT515 offers 4 independently programmable DACs each having its own reference inputs and each capable of rail to rail output swing. Output settings, stored non-volatile EEPROM memory, are not lost when the device is powered down and are automatically reinstated when power is returned. Each output can be dithered to test new output values without effecting the stored settings and stored settings can be read back without disturbing the DAC's output.

Control of the CAT515 is accomplished with a simple 3 wire serial interface. A Chip Select pin allows several CAT515's to share a common serial interface and communications back to the host controller is via a single serial data line thanks to the CAT515's Tri-States Data Output pin. A RDY/BSY output working in concert with an internal low voltage detector signals proper operation of EEPROM Erase/Write cycle.

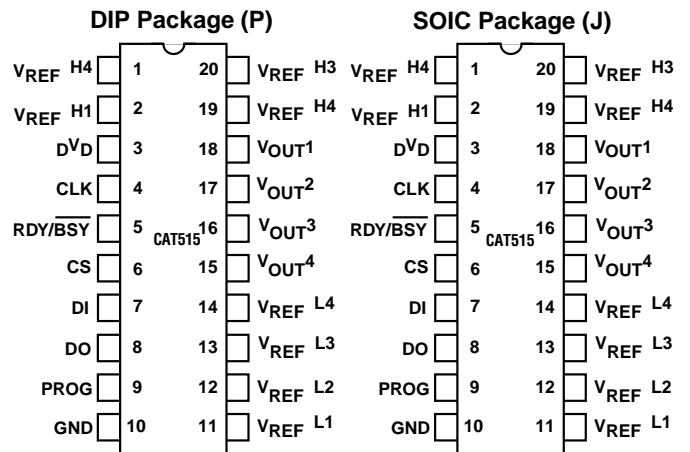
The CAT515 operates from a single 3–5 volt power supply. The high voltage required for EEPROM Erase/Write operations is generated on-chip.

The CAT515 is available in the 0°C to 70°C Commercial and -40°C to +85°C Industrial operating temperature ranges and offered in 20-pin plastic DIP and Surface mount packages.

FUNCTIONAL DIAGRAM



PIN CONFIGURATION



ABSOLUTE MAXIMUM RATINGS

Supply Voltage*
 V_{DD} to GND -0.5V to +7V

Inputs
 CLK to GND -0.5V to $V_{DD} + 0.5V$
 CS to GND -0.5V to $V_{DD} + 0.5V$
 DI to GND -0.5V to $V_{DD} + 0.5V$
 RDY/BSY to GND -0.5V to $V_{DD} + 0.5V$
 PROG to GND -0.5V to $V_{DD} + 0.5V$
 V_{REFH} to GND -0.5V to $V_{DD} + 0.5V$
 V_{REFL} to GND -0.5V to $V_{DD} + 0.5V$

Outputs
 V_{O0} to GND -0.5V to $V_{DD} + 0.5V$
 V_{OUT} 1– 4 to GND -0.5V to $V_{DD} + 0.5V$

Operating Ambient Temperature
 Commercial ('C' suffix) 0°C to +70°C
 Industrial ('I' suffix) - 40°C to +85°C
 Junction Temperature +150°C
 Storage Temperature -65°C to +150°C
 Lead Soldering (10 sec max) +300°C

* Stresses above those listed under Absolute Maximum Ratings may cause permanent damage to the device. Absolute Maximum Ratings are limited values applied individually while other parameters are within specified operating conditions, and functional operation at any of these conditions is NOT implied. Device performance and reliability may be impaired by exposure to absolute rating conditions for extended periods of time.

RELIABILITY CHARACTERISTICS

Symbol	Parameter	Min	Max	Units	Test Method
$V_{ZAP}^{(1)}$	ESD Susceptibility	2000		Volts	MIL-STD-883, Test Method 3015
$I_{LTH}^{(1)(2)}$	Latch-Up	100		mA	JEDEC Standard 17

- Notes: 1. This parameter is tested initially and after a design or process change that affects the parameter.
 2. Latch-up protection is provided for stresses up to 100mA on address and data pins from -1V to $V_{CC} + 1V$.

DC ELECTRICAL CHARACTERISTICS: $V_{DD} = +2.7V$ to $+5.5V$, $V_{REFH} = V_{DD}$, $V_{REFL} = 0V$, unless otherwise specified

Symbol	Parameter	Conditions	Min	Typ	Max	Units
	Resolution		8	—	—	Bits

Accuracy

INL	Integral Linearity Error	$I_{LOAD} = 250$ nA, $T_R = C$	—	0.6	± 1	LSB
		$T_R = I$	—	0.6	± 1	LSB
		$I_{LOAD} = 1$ μA , $T_R = C$	—	1.2	—	LSB
		$T_R = I$	—	1.2	—	LSB
DNL	Differential Linearity Error	$I_{LOAD} = 250$ nA, $T_R = C$	—	0.25	± 0.5	LSB
		$T_R = I$	—	0.25	± 0.5	LSB
		$I_{LOAD} = 1$ μA , $T_R = C$	—	0.5	—	LSB
		$T_R = I$	—	0.5	—	LSB

Logic Inputs

I_{IH}	Input Leakage Current	$V_{IN} = V_{DD}$	—	—	10	μA
I_{IL}	Input Leakage Current	$V_{IN} = 0V$	—	—	-10	μA
V_{IH}	High Level Input Voltage		2	—	V_{DD}	V
V_{IL}	Low Level Input Voltage		0	—	0.8	V

References

V_{RH}	V_{REFH} Input Voltage Range		2.7	—	V_{DD}	V
V_{RL}	V_{REFL} Input Voltage Range		GND	—	$V_{DD} - 2.7$	V
Z_{IN}	$V_{REFH} - V_{REFL}$ Resistance		—	28K	—	Ω
$\Delta V_{IN} / R_{IN}$	Input Resistance Match		—	± 0.5	± 1	%

Logic Outputs

V_{OH}	High Level Output Voltage	$I_{OH} = - 40$ μA	$V_{DD} - 0.3$	—	—	V
V_{OL}	Low Level Output Voltage	$I_{OL} = 1$ mA, $V_{DD} = +5V$	—	—	0.4	V
		$I_{OL} = 0.4$ mA, $V_{DD} = +3V$	—	—	0.4	V

DC ELECTRICAL CHARACTERISTICS (Cont.):
 $V_{DD} = +2.7V$ to $+5.5V$, $V_{REFH} = V_{DD}$, $V_{REFL} = 0V$, unless otherwise specified

Symbol	Parameter	Conditions	Min	Typ	Max	Units
Analog Output						
FSO	Full-Scale Output Voltage	$V_R = V_{REFH} - V_{REFL}$	$0.99 V_R$	$0.995 V_R$	—	V
ZSO	Zero-Scale Output Voltage	$V_R = V_{REFH} - V_{REFL}$	—	$0.005 V_R$	$0.01 V_R$	V
I_L	DAC Output Load Current		—	—	1	μA
R _{OUT}	DAC Output Impedance	$V_{DD} = V_{REFH} = +5V$	—	—	100K	Ω
		$V_{DD} = V_{REFH} = +3V$	—	—	150K	Ω
PSSR	Power Supply Rejection	$I_{LOAD} = 1 \mu A$	—	—	1	LSB / V

Temperature

TC _O	V_{OUT} Temperature Coefficient	$V_{DD} = +5V$, $I_{LOAD} = 250nA$	—	—	200	$\mu V / ^\circ C$
		$V_{REFH} = +5V$, $V_{REFL} = 0V$				
TC _{REF}	Temperature Coefficient of V_{REF} Resistance	V_{REFH} to V_{REFL}	—	700	—	ppm / $^\circ C$

Power Supply

I_{DD1}	Supply Current (Read)	Normal Operating	—	40	50	μA
I_{DD2}	Supply Current (Write)	$V_{DD} = 5V$	—	1200	2000	μA
		$V_{DD} = 3V$	—	600	1200	μA
V_{DD}	Operating Voltage Range		2.7	—	5.5	V

AC ELECTRICAL CHARACTERISTICS:
 $V_{DD} = +2.7V$ to $+5.5V$, $V_{REFH} = V_{DD}$, $V_{REFL} = 0V$, unless otherwise specified

Symbol	Parameter	Conditions	Min	Typ	Max	Units
Digital						
t_{CSMIN}	Minimum CS Low Time		150	—	—	ns
t_{CSS}	CS Setup Time		100	—	—	ns
t_{CSH}	CS Hold Time		0	—	—	ns
t_{DIS}	DI Setup Time	$C_L = 100 pF$, see note 1	50	—	—	ns
t_{DIH}	DI Hold Time		50	—	—	ns
t_{DO1}	Output Delay to 1		—	—	150	ns
t_{DO0}	Output Delay to 0		—	—	150	ns
t_{HZ}	Output Delay to High-Z		—	400	—	ns
t_{LZ}	Output Delay to Low-Z		—	400	—	ns
t_{BUSY}	Erase/Write Cycle Time		—	4	5	ms
t_{PS}	PROG Setup Time		150	—	—	ns
t_{PROG}	Minimum Pulse Width		700	—	—	ns
t_{CLKH}	Minimum CLK High Time		500	—	—	ns
t_{CLKL}	Minimum CLK Low Time		300	—	—	ns
f_C	Clock Frequency		DC	—	1	MHz

Analog

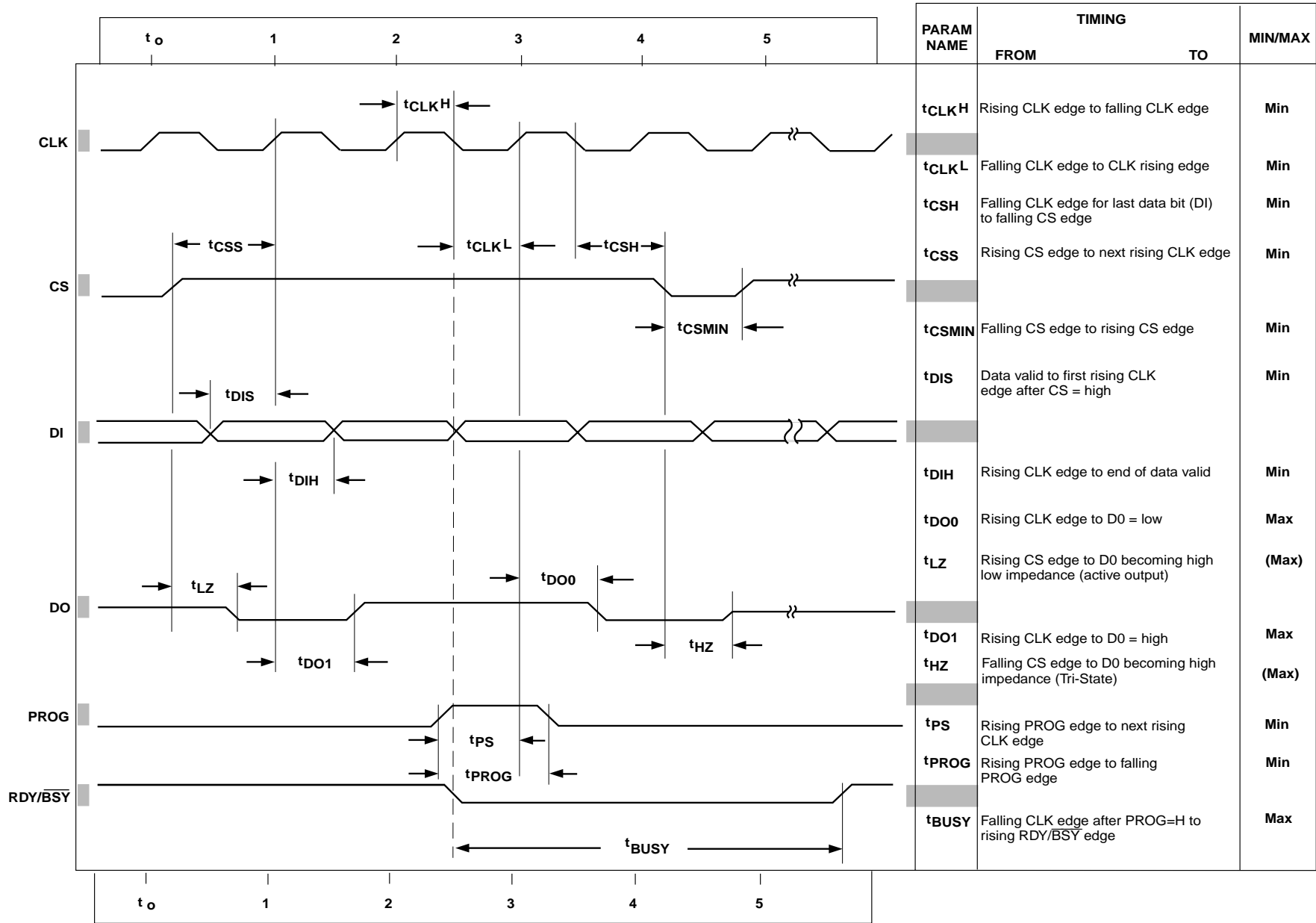
t_{DS}	DAC Settling Time to 1 LSB	$C_{LOAD} = 10 pF$, $V_{DD} = +5V$	—	3	10	μs
		$C_{LOAD} = 10 pF$, $V_{DD} = +3V$	—	6	10	μs

Pin Capacitance

C_{IN}	Input Capacitance	$V_{IN} = 0V$, $f = 1 MHz^{(2)}$	—	8	—	pF
C_{OUT}	Output Capacitance	$V_{OUT} = 0V$, $f = 1 MHz^{(2)}$	—	6	—	pFNotes

- Notes: 1. All timing measurements are defined at the point of signal crossing $V_{DD} / 2$.
2. These parameters are periodically sampled and are not 100% tested.

A. C. TIMING DIAGRAM



PIN DESCRIPTION

Pin	Name	Function
1	V _{REFH2}	Maximum DAC 2 output voltage
2	V _{REFH1}	Maximum DAC 1 output voltage
3	V _{DD}	Power supply positive
4	CLK	Clock input pin
5	RDY/BSY	Ready/Busy output
6	CS	Chip select
7	DI	Serial data input pin
8	DO	Serial data output pin
9	PROG	EEPROM Programming Enable Input
10	GND	Power supply ground
11	V _{REFL1}	Minimum DAC 1 output voltage
12	V _{REFL2}	Minimum DAC 2 output voltage
13	V _{REFL3}	Minimum DAC 3 output voltage
14	V _{REFL4}	Minimum DAC 4 output voltage
15	V _{OUT4}	DAC 4 output
16	V _{OUT3}	DAC 3 output
17	V _{OUT2}	DAC 2 output
18	V _{OUT1}	DAC 1 output
19	V _{REFH4}	Maximum DAC 4 output voltage
20	V _{REFH3}	Maximum DAC 3 output voltage

DAC addressing is as follows:

DAC OUTPUT	A0	A1
V _{OUT1}	0	0
V _{OUT2}	1	0
V _{OUT3}	0	1
V _{OUT4}	1	1

DEVICE OPERATION

The CAT515 is a quad 8-bit Digital to Analog Converter (DAC) whose outputs can be programmed to any one of 256 individual voltage steps. Once programmed, these output settings are retained in non-volatile EEPROM memory and will not be lost when power is removed from the chip. Upon power up the DACs return to the settings stored in EEPROM memory. Each DAC can be written to and read from independently without effecting the output voltage during the read or write cycle. Each output can also be adjusted without altering the stored output setting, which is useful for testing new output settings before storing them in memory.

DIGITAL INTERFACE

The CAT515 employs a standard 3 wire serial control interface consisting of Clock (CLK), Chip Select (CS) and Data In (DI) inputs. For all operations, address and data are shifted in LSB first. In addition, all digital data must be preceded by a logic "1" as a start bit. The DAC address and data are clocked into the DI pin on the clock's rising edge. When sending multiple blocks of information a minimum of two clock cycles is required between the last block sent and the next start bit.

Multiple devices may share a common input data line by selectively activating the CS control of the desired IC. Data Outputs (DO) can also share a common line because the DO pin is Tri-Stated and returns to a high impedance when not in use.

CHIP SELECT

Chip Select (CS) enables and disables the CAT515's read and write operations. When CS is high data may be read to or from the chip, and the Data Output (DO) pin is active. Data loaded into the DAC control registers will remain in effect until CS goes low. Bringing CS to a logic low returns all DAC outputs to the settings stored in EEPROM memory and switches DO to its high impedance Tri-State mode.

Because CS functions like a reset the CS pin has been desensitized with a 30 ns to 90 ns filter circuit to prevent noise spikes from causing unwanted resets and the loss of volatile data.

CLOCK

The CAT515's clock controls both data flow in and out of the IC and EEPROM memory cell programming. Serial data is shifted into the DI pin and out of the DO pin on the clock's rising edge. While it is not necessary for the clock to be running between data transfers, the clock must be operating in order to write to EEPROM memory, even though the data being saved may already be resident in the DAC control register.

No clock is necessary upon system power-up. The CAT515's internal power-on reset circuitry loads data from EEPROM to the DACs without using the external clock.

As data transfers are edge triggered clean clock transitions are necessary to avoid falsely clocking data into the control registers. Standard CMOS and TTL logic families work well in this regard and it is recommended that any mechanical switches used for breadboarding or device evaluation purposes be debounced by a flip-flop or other suitable debouncing circuit.

V_{REF}

V_{REF}, the voltage applied between pins V_{REFH} & V_{REFL}, sets the DAC's Zero to Full Scale output range where V_{REFL} = Zero and V_{REFH} = Full Scale. V_{REF} can span the full power supply range or just a fraction of it. In typical applications V_{REFH} & V_{REFL} are connected across the power supply rails. When using less than the full supply voltage be mindfull of the limits placed on V_{REFH} and V_{REFL} as specified in the "References" section of DC "Electrical Characteristics".

READY/BSY

When saving data to non-volatile EEPROM memory, the Ready/Busy output (RDY/BSY) signals the start and duration of the EEPROM erase/write cycle. Upon receiving a command to store data (PROG goes high) RDY/BSY goes low and remains low until the programming cycle is complete. During this time the CAT515 will ignore any data appearing at DI and no data will be output on DO.

RDY/BSY is internally ANDed with a low voltage detector circuit monitoring V_{DD}. If V_{DD} is below the minimum value required for EEPROM programming, RDY/BSY will remain high following the program command indicating a failure to record the desired data in non-volatile memory.

DATA OUTPUT

Data is output serially by the CAT515, LSB first, via the Data Out (DO) pin following the reception of a start bit and two address bits by the Data Input (DI). DO becomes active whenever CS goes high and resumes

its high impedance Tri-State mode when CS returns low. Tri-Stating the DO pin allows several 515s to share a single serial data line and simplifies interfacing multiple 515s to a microprocessor.

WRITING TO MEMORY

Programming the CAT515's EEPROM memory is accomplished through the control signals: Chip Select (CS) and Program (PROG). With CS high, a start bit followed by a two bit DAC address and eight data bits are clocked into the DAC control register via the DI pin. Data enters on the clock's rising edge. The DAC output changes to its new setting on the clock cycle following D7, the last data bit.

Programming is accomplished by bringing PROG high sometime after the start bit and at least 150 ns prior to the rising edge of the clock cycle immediately following the D7 bit. Two clock cycles after the D7 bit the DAC control register will be ready to receive the next set of address and data bits. The clock must be kept running throughout the programming cycle. Internal control circuitry takes care of generating and ramping up the programming voltage for data transfer to the EEPROM cells. The CAT515's EEPROM memory cells will endure over 100,000 write cycles and will retain data for a minimum of 20 years without being refreshed.

READING DATA

Each time data is transferred into a DAC control register currently held data is shifted out via the D0 pin, thus in every data transaction a read cycle occurs. Note, however, that the reading process is destructive. Data must be removed from the register in order to be read. Figure 2 depicts a Read Only cycle in which no change occurs in the DAC's output. This feature allows μ Ps to poll DACs for their current setting without disturbing the output voltage but it assumes that the setting being read is also stored in EEPROM so that it can be restored at the end of the read cycle. In Figure 2 CS returns low before the 13th clock cycle completes. In doing so the EEPROM's

Figure 1. Writing to Memory

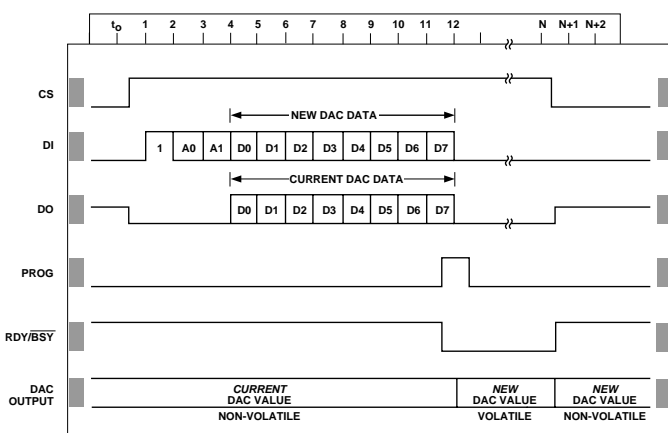
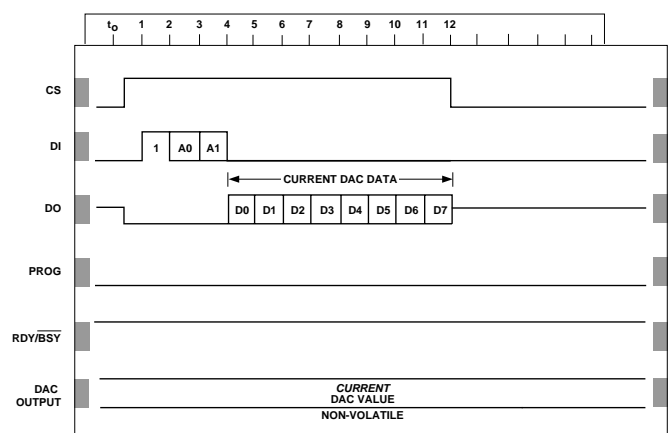


Figure 2. Reading from Memory



setting is reloaded into the DAC control register. Since this value is the same as that which had been there previously no change in the DAC's output is noticed. Had the value held in the control register been different from that stored in EEPROM then *a change would occur* at the read cycle's conclusion.

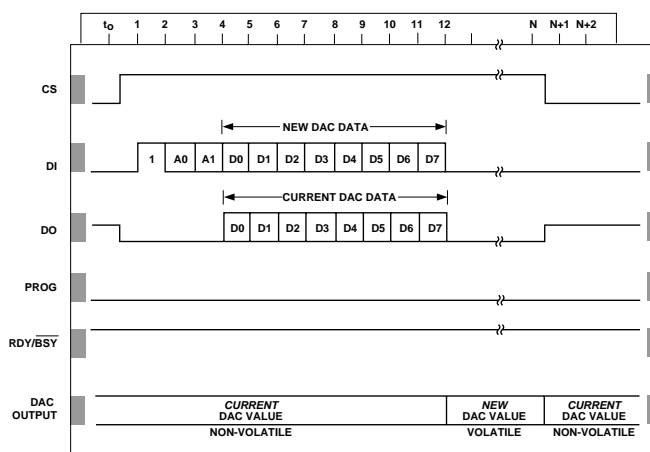
TEMPORARILY CHANGE OUTPUT

The CAT515 allows temporary changes in DAC's output to be made without disturbing the settings retained in EEPROM memory. This feature is particularly useful when testing for a new output setting and allows for user adjustment of preset or default values without losing the original factory settings.

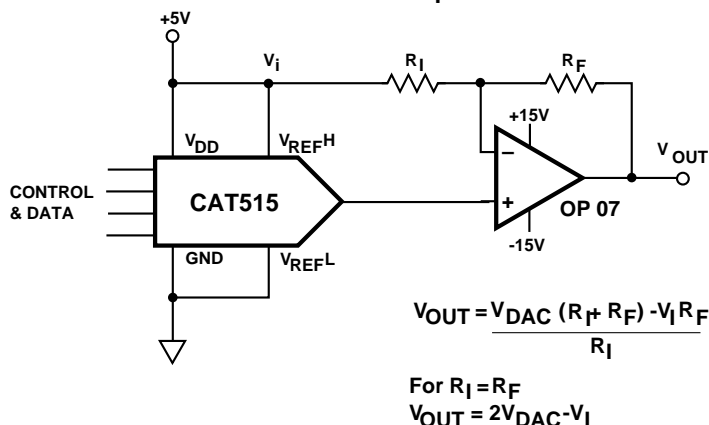
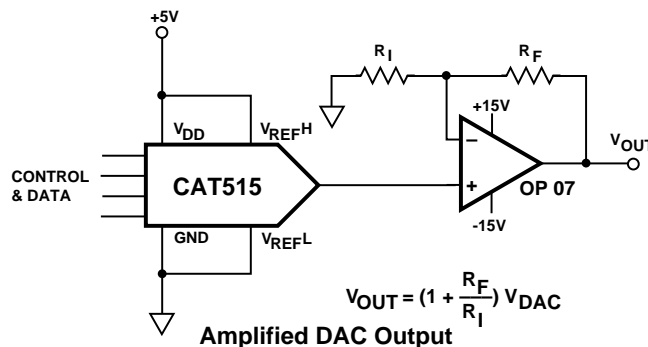
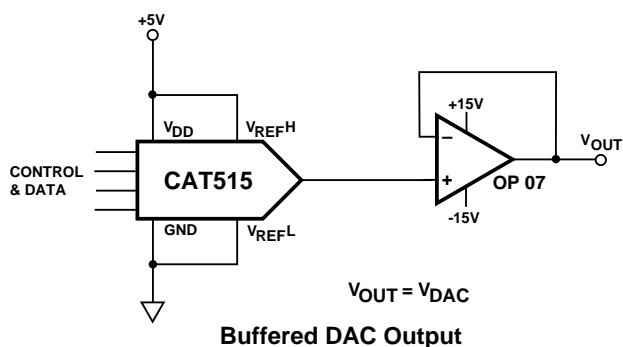
Figure 3 shows the control and data signals needed to effect a temporary output change. DAC settings may be changed as many times as required and can be made to any of the four DACs in any order or sequence. The temporary setting(s) remain in effect long as CS remains high. When CS returns low all four DACs will return to the output values stored in EEPROM memory.

When it is desired to save a new setting acquired using this feature, the new value must be reloaded into the DAC control register prior to programming. This is because the CAT515's internal control circuitry discards from the programming register the new data two clock cycles after receiving it if no PROG signal is received.

Figure 3. Temporary Change in Output



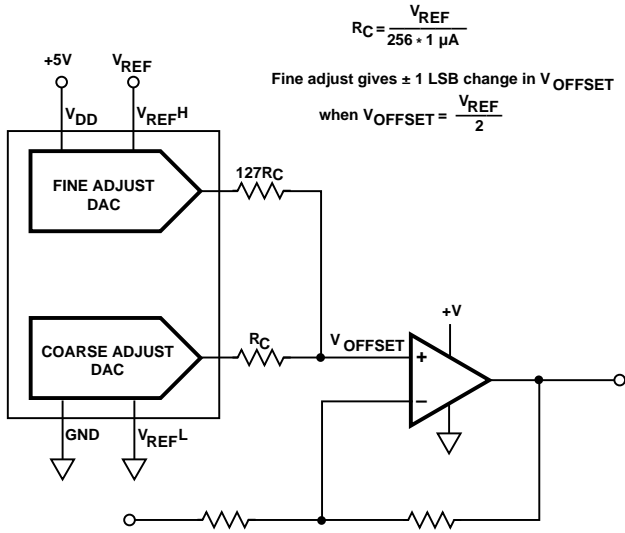
APPLICATION CIRCUITS



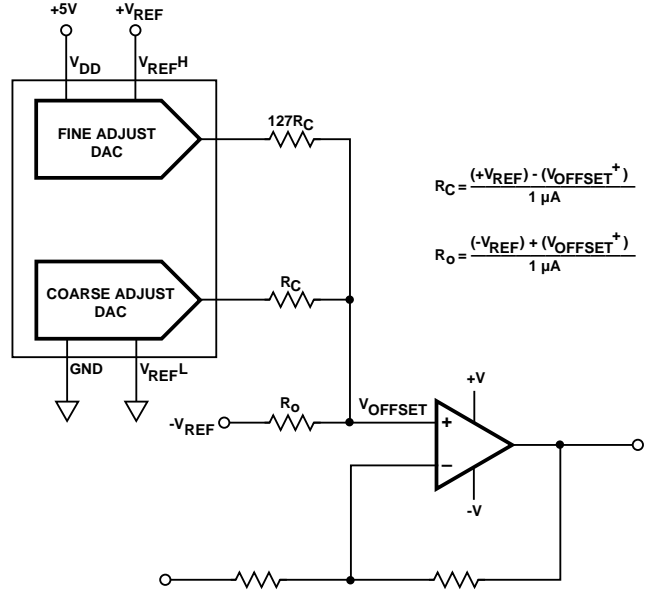
DAC INPUT		DAC OUTPUT	ANALOG OUTPUT
		$V_{DAC} = \frac{CODE}{255} (V_{FS} - V_{ZERO}) + V_{ZERO}$	
		$V_{FS} = 0.99 V_{REF}$	$V_{REF} = 5V$
		$V_{ZERO} = 0.01 V_{REF}$	$R_I = R_F$
MSB	LSB		
1111	1111	$\frac{255}{255} (.98 V_{REF}) + .01 V_{REF} = .990 V_{REF}$	$V_{OUT} = +4.90V$
1000	0000	$\frac{128}{255} (.98 V_{REF}) + .01 V_{REF} = .502 V_{REF}$	$V_{OUT} = +0.02V$
0111	1111	$\frac{127}{255} (.98 V_{REF}) + .01 V_{REF} = .498 V_{REF}$	$V_{OUT} = -0.02V$
0000	0001	$\frac{1}{255} (.98 V_{REF}) + .01 V_{REF} = .014 V_{REF}$	$V_{OUT} = -4.86V$
0000	0000	$\frac{0}{255} (.98 V_{REF}) + .01 V_{REF} = .010 V_{REF}$	$V_{OUT} = -4.90V$

Bipolar DAC Output

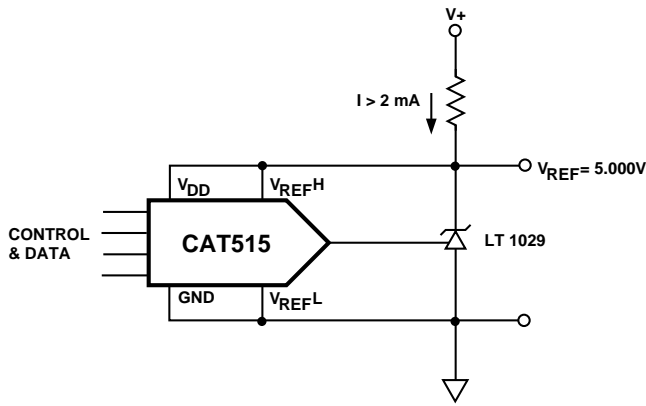
APPLICATION CIRCUITS (Cont.)



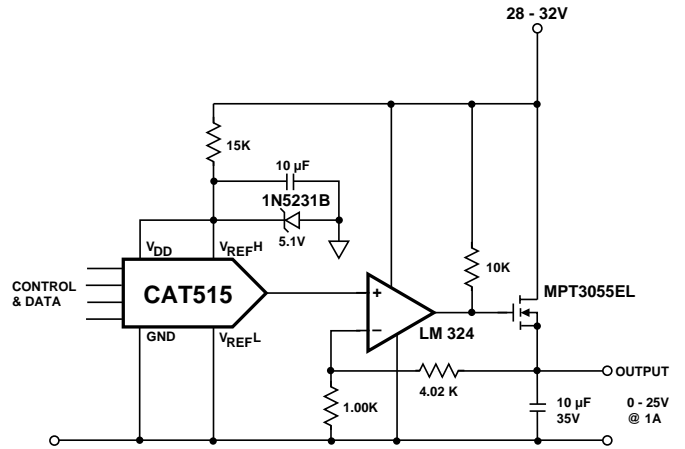
Coarse-Fine Offset Control by Averaging DAC Outputs for Single Power Supply Systems



Coarse-Fine Offset Control by Averaging DAC Outputs for Dual Power Supply Systems

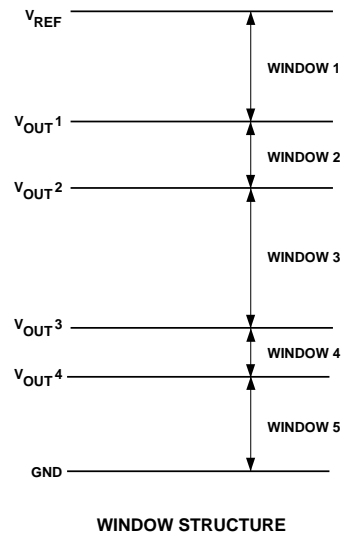
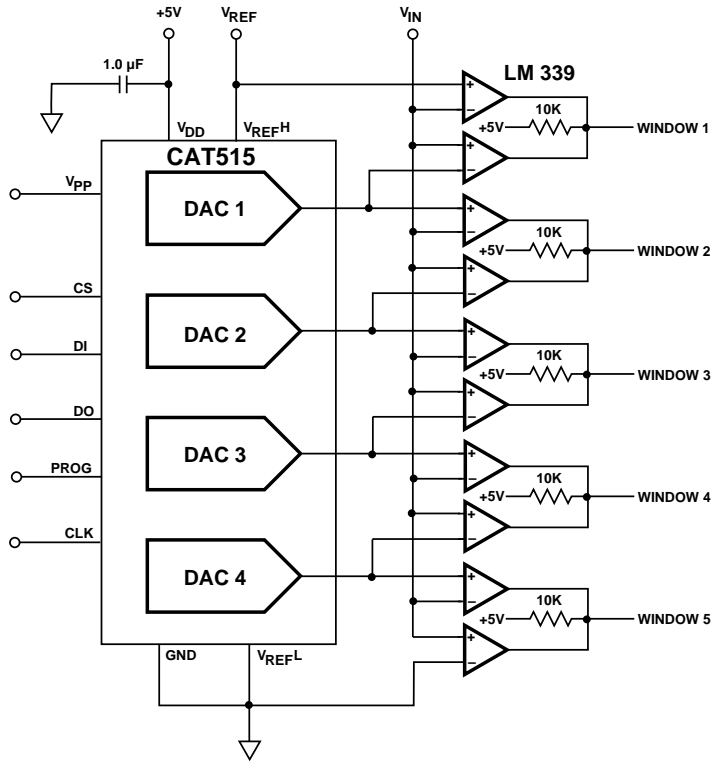


Digitally Trimmed Voltage Reference

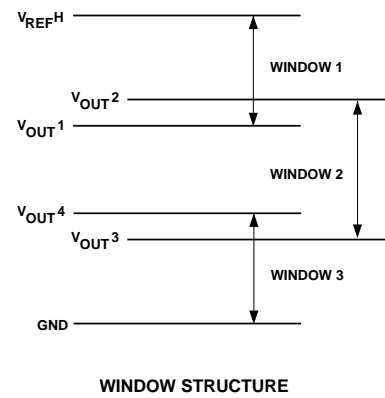
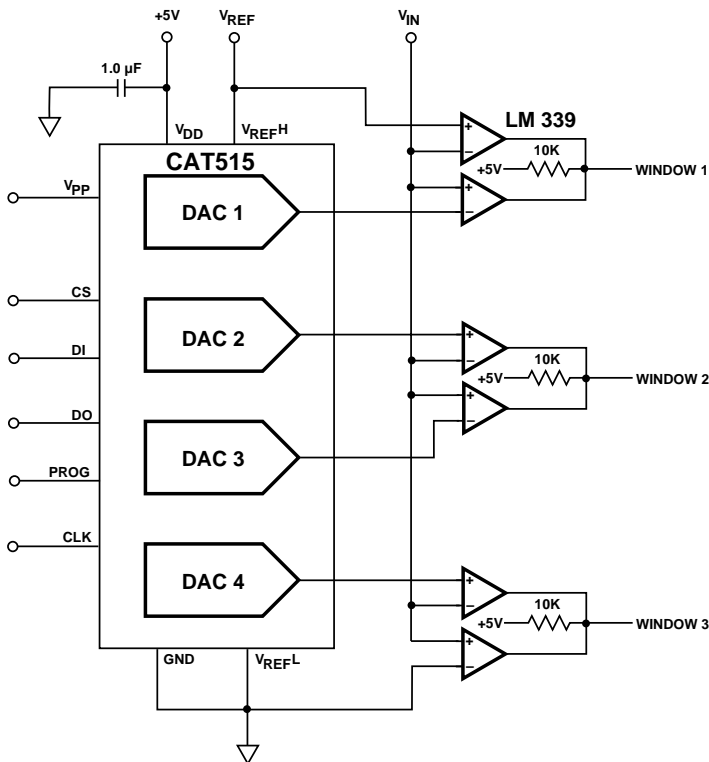


Digitally Controlled Voltage Reference

APPLICATION CIRCUITS (Cont.)

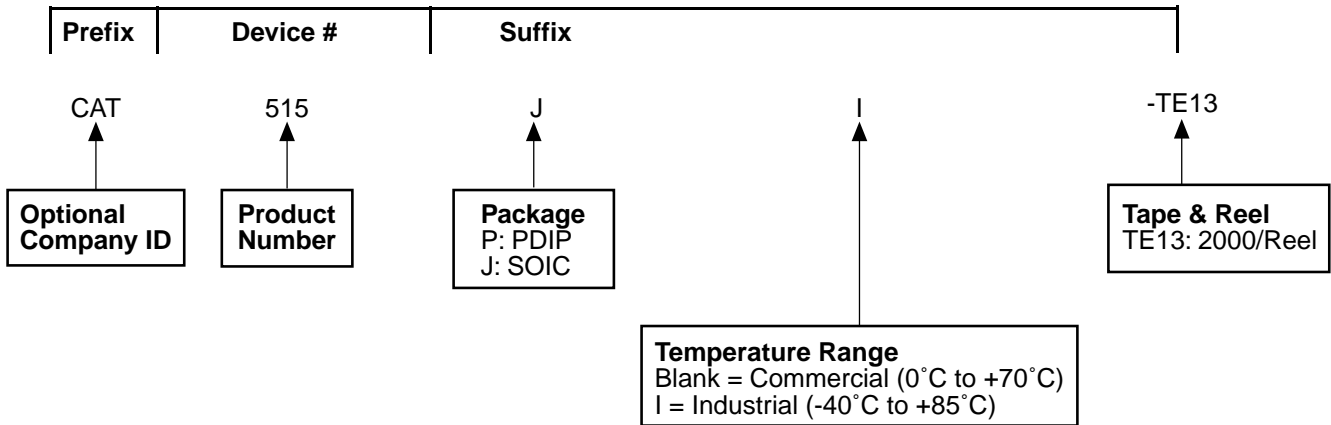


Staircase Window Comparator



Overlapping Window Comparator

ORDERING INFORMATION



Notes:

(1) The device used in the above example is a CAT515JI-TE13 (SOIC, Industrial Temperature, Tape & Reel)

