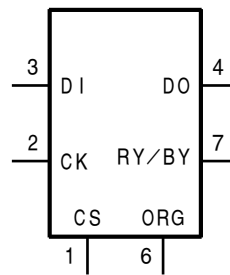
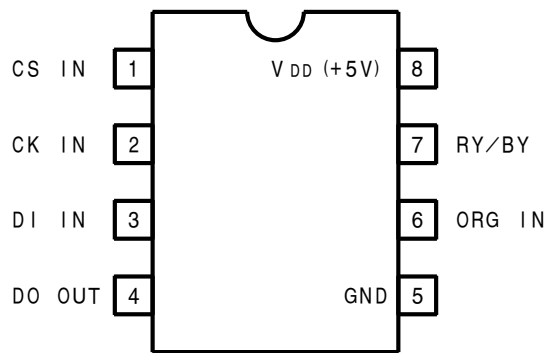


\*\*\*\*\*

C-MOS 1K-BIT(64x16 /128x8 BIT)SERIAL EEPROM  
-TOP VIEW-



CK ; CLOCK INPUT  
CS ; CHIP SELECT INPUT  
DI ; SERIAL DATA INPUT  
DO ; SERIAL DATA OUTPUT  
ORG ; MEMORY ORGANIZATION (64x16 /128x8 BIT)  
RY/BY ; STATUS OUTPUT (READY/ BUSY )

