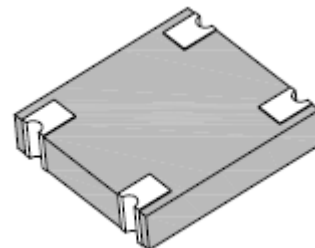


6.0A Chip Bridge Rectifier

Features

- Sintered glass passivated (SGP®) rectifier chip
- Lead less chip form, no lead damage
- Lead-free solder joint, no wire bond & lead frame
- Low power loss, High efficiency
- High current capability
- Plastic package has UL Flammability Classification 94V-0
- RoHS Compliant and Halogen Free



C4232

HALOGEN
FREE



Mechanical Data

Case:	Packed with FRP substrate and epoxy underfilled
Terminals:	Pure Tin plated (Lead-Free) Solderable per MIL-STD-750, Method 2026
Polarity:	Laser cathode band marking
Mounting Position:	Any
Weight:	0.29 gram

Maximum Ratings And Electrical Characteristics (T_{amb}=25°C)

Symbol	Description	CBD66	CBD68	CBD610	Unit	Conditions
	Marking Code	CB66	CB68	CB610		
V_{RRM}	Max. Repetitive Peak Reverse Voltage	600	800	1000	V	
I_{F(AV)}	Max. Average Forward Rectified Current	6.0			A	
I_{FSM}	Peak Forward Surge Current	160			A	8.3ms single half sine-wave

6.0A Chip Bridge Rectifier

CBD66 – CBD610

Symbol	Description	Min.	Typ.	Max.	Unit	Conditions
V_F	Forward Voltage	-	0.95	1.0	V	I _F =3.0A
I_{RRM}	Max. Peak Reverse Current	-	0.08	5	μA	V _R =Max. V _{RRM} T _A =25°C
I²t	Current Squared Time	-	106	-	A ² s	t<8.3ms, T _A =25°C
C_J	Junction Capacitance	-	45	-	pF	V _R = 4V, f=1MHz
R_{thJA}	Junction to Ambient	-	35	-	°C/W	Note1
R_{thJL}	Junction to Lead	-	15	-		Note1
T_J,T_{STG}	Operating Junction and Storage Temperature Range	-55 to +175			°C	

Note: 1. Thermal resistance, junction to ambient, measured on PC board with 5.0mm² (0.03mm thick) land areas.

Typical Characteristics Curves

Fig.1- Forward Current Derating Curve

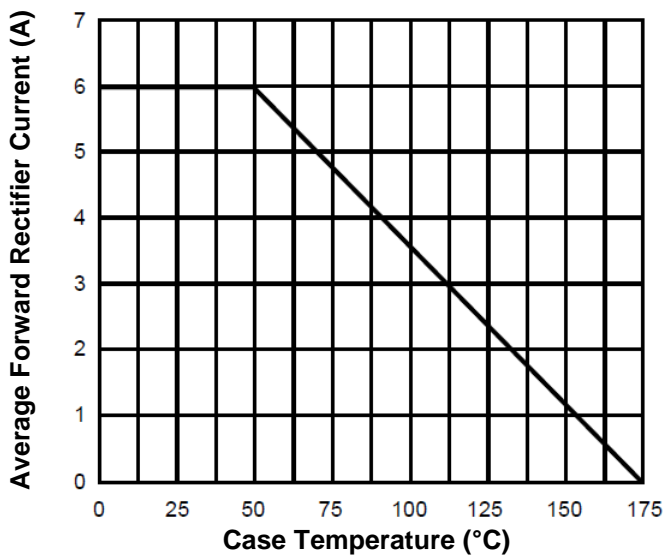
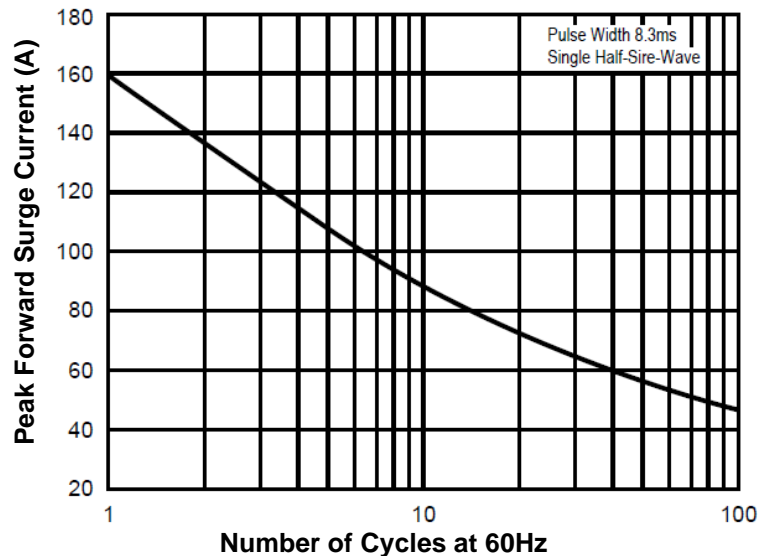


Fig.2-Max. Non-repetitive Peak Forward Surge Current



6.0A Chip Bridge Rectifier

CBD66 – CBD610

Fig.3-Typical Instantaneous Forward Characteristics

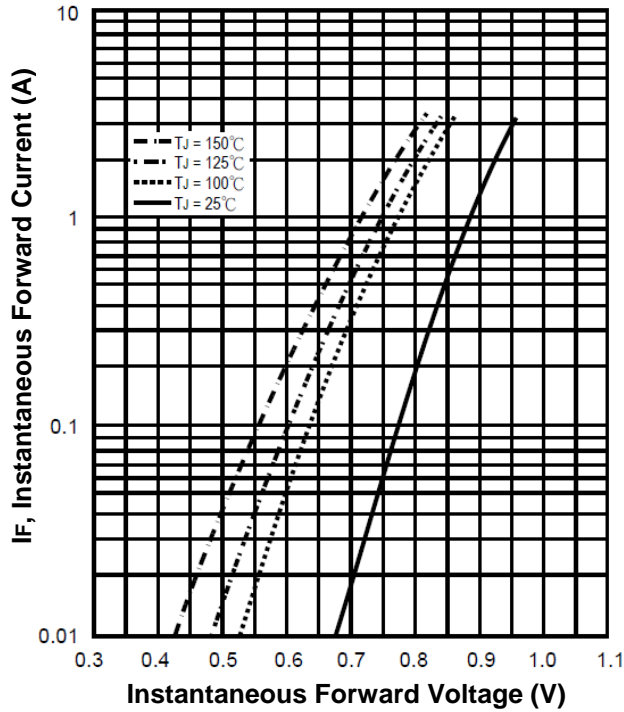


Fig.4-Typical Reverse Characteristics

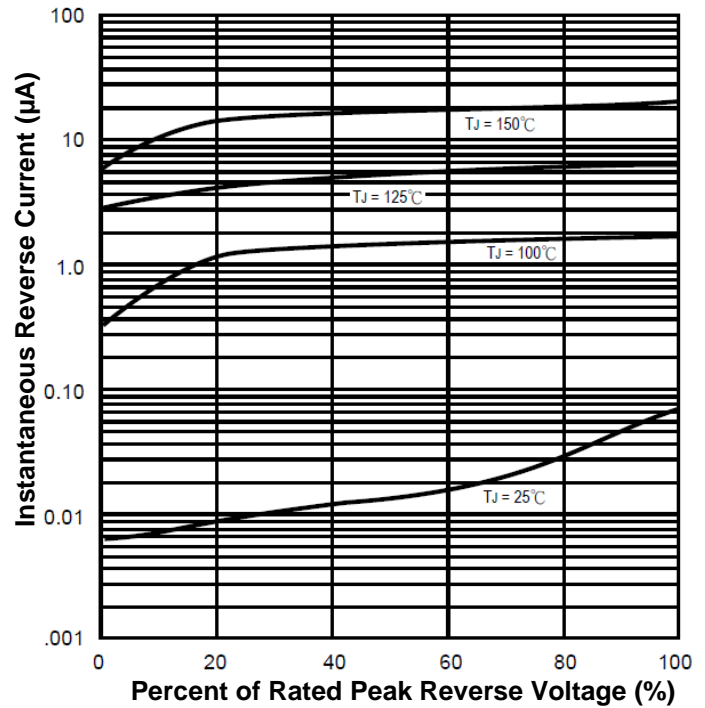
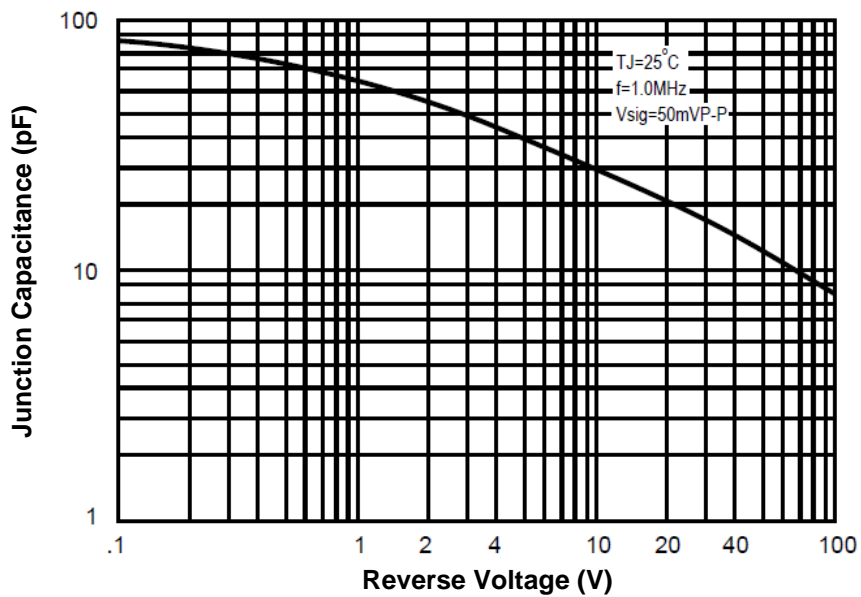


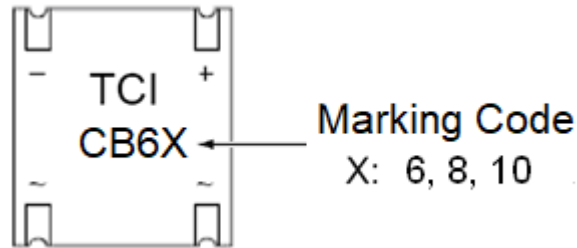
Fig.5-Typical Junction Capacitance



6.0A Chip Bridge Rectifier

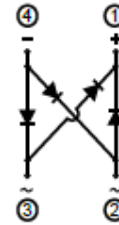
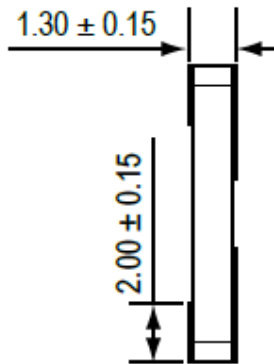
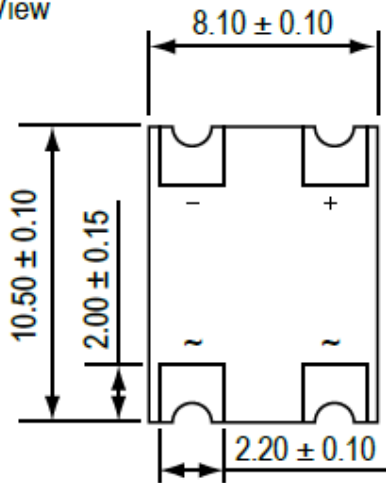
CBD66 – CBD610

Marking Information:

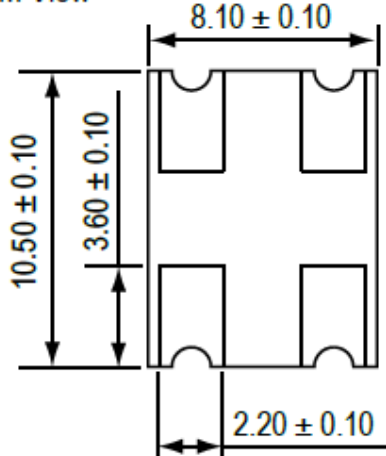


Dimensions in mm

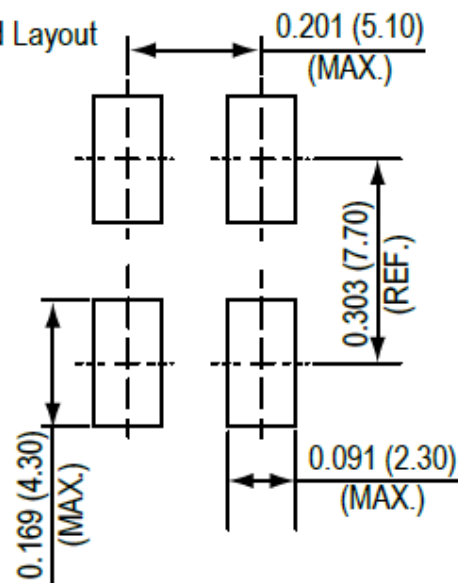
Top View



Bottom View



Pad Layout

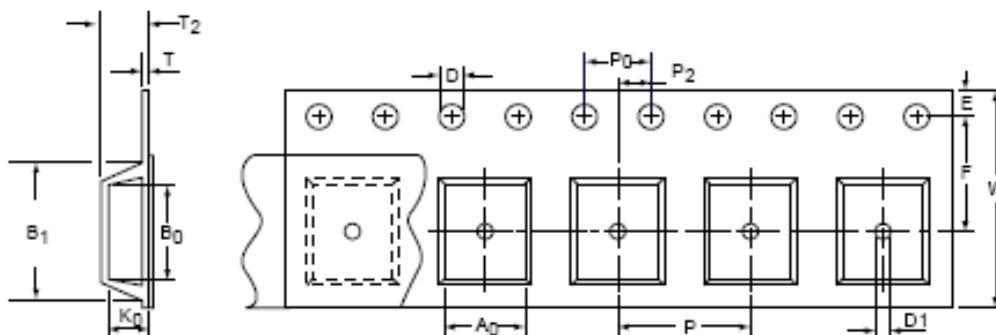


C4232

6.0A Chip Bridge Rectifier

CBD66 – CBD610

Packing Information in mm



Product Type	D	E	P ₀	A ₀	B ₀	K ₀	T
	1.55±0.05	1.75±0.1	4.0±0.1	See Note 1			0.40max.
1514	B ₁	D ₁	F	P	W	T ₂	P ₂
	12.1max.	1.5min.	5.50±0.05	12.0±0.1	16.0±0.3	2.50max	2.0±0.1

Note: 1. A₀, B₀, and K₀ are determined by component size. The clearance between the components and the cavity must be within 0.15 mm (0.006”) Min. to 0.90 mm (0.05”) Max. for 16 mm tape.

Packing Quantity Information:

Quantity	PCS per Reel	PCS per Carton
RG30 Tape & Reel	3,000	15,000

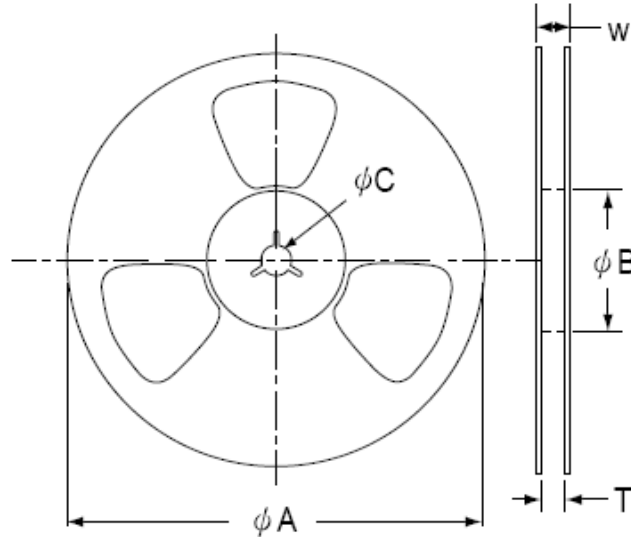
Carton Size Information:

-RG30 Tape & Reel
360X360X240 (in mm)

6.0A Chip Bridge Rectifier

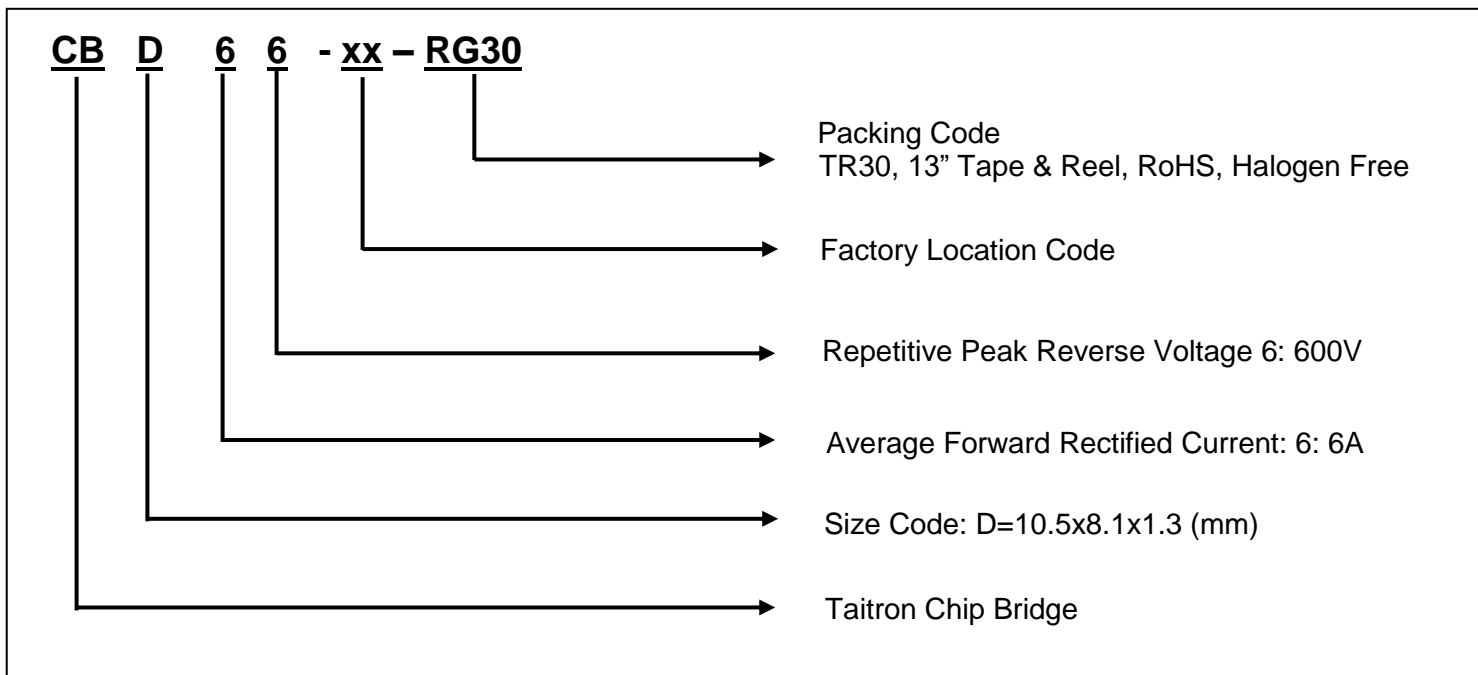
CBD66 – CBD610

Reel Dimensions in mm



ΦA	ΦB	ΦC	W	T
330±2.0	50min.	13.0±0.5	22.7max.	18.4max.

How to Order



How to contact us

USA HEADQUARTERS

28040 WEST HARRISON PARKWAY, VALENCIA, CA 91355-4162

Tel: (800)-TAITRON (800)-824-8766 (661)-257-6060

Fax: (800)-TAITFAX (800)-824-8329 (661)-257-6415

Email: taitron@taitroncomponents.com

Http://www.taitroncomponents.com

TAITRON COMPONENTS INCORPORATED TAIWAN BRANCH

6F., NO.190, SEC. 2, ZHONGXING RD., XINDIAN DIST., NEW TAIPEI CITY 23146, TAIWAN R.O.C.

Tel: 886-2-2913-6238

Fax: 886-2-2913-6239

TAITRON COMPONENT TECHNOLOG SHANGHAI CORPORATION

SUITE 1503, METROBANK PLAZA, 1160 WEST YAN'AN ROAD, SHANGHAI, 200052, CHINA

Tel: +86-21-5424-9942

Fax: +86-21-2302-5027