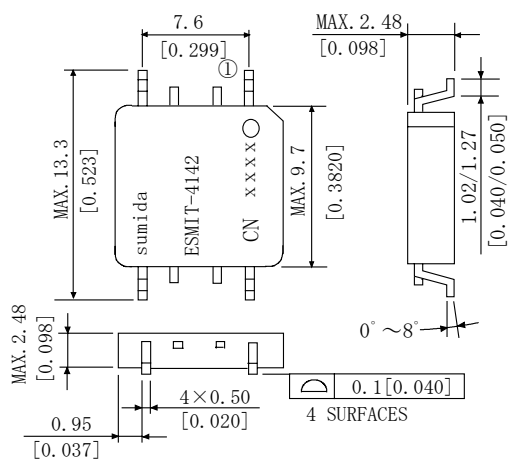
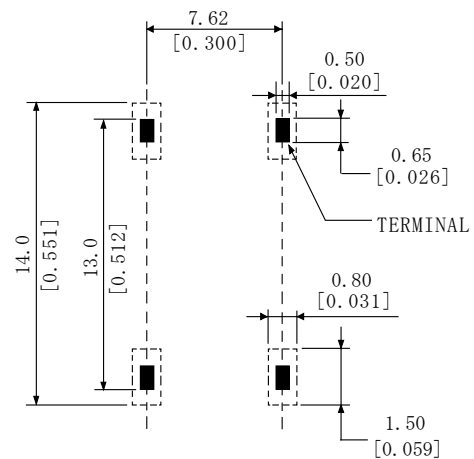



**MODEM Transformer< SMD Type: CBM Series>**
**Type: CBM103B**
**◆ Product Description**

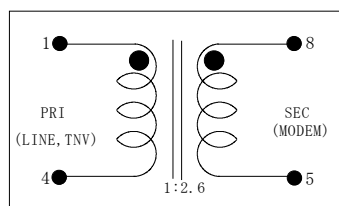
- 10.4×9.7mm Max.(L×W),2.48mm Max. Height.
- Operating frequency: 4MHz Max.


**◆ Feature**

- Digital TV's Modem transformer.
- Ideally used for the Conexant Smart DAA™.
- RoHS Compliance.

**◆ Dimensions (mm)**

**◆ Land Pattern (mm)**


www.DataSheet4U.com

**◆ Schematics(Bottom)**

**◆ Specification(Part Number:ESMIT-4142)**

|   | MIN.  | TYP.       | MAX. | UNITS    |
|---|---|------------|------|----------|
| Inductance of primary(1-4),Ls(Secondary open , @ 100kHz,1Vrms Osc.) | 40  | 60         | ---  | $\mu$ H  |
| Inductance of primary(1-4),Ls(Secondary open , @ 4.0MHz,1Vrms Osc.) | ---   | 8.4 (REF.) | ---  | $\mu$ H  |
| Winding-to-winding capacitance,@ 1MHz(C <sub>ww</sub> )             | ---   | 4.0        | 10   | pF       |
| Self-resonant frequency(f <sub>R</sub> )                            | ---   | 9.0        | ---  | MHz      |
| Turns ratio (1-4):(8-5)   | ---   | 1:2.6      | ---  | N/A      |
| DC resistance of primary @ 25°C(1-4),R <sub>DCPRI</sub>             | ---   | ---        | 0.25 | $\Omega$ |
| DC resistance of secondary @ 25°C(5-8), R <sub>DCSEC</sub>          | ---   | ---        | 0.45 | $\Omega$ |
| Dielectric rating   | 3750V AC For 1 Second between terminals (1-8) |            |      |          |

Please refer to the sales offices on our website for a representative near you

[www.sumida.com](http://www.sumida.com)