

CBRDFSH1-40
 CBRDFSH1-60
 CBRDFSH1-100

**SURFACE MOUNT
 1.0 AMP SILICON
 SCHOTTKY BRIDGE RECTIFIERS**

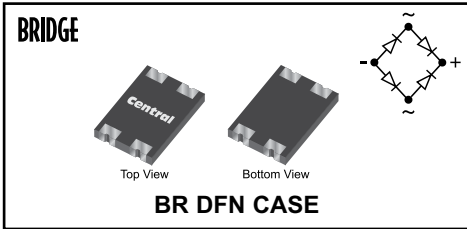


www.centrasemi.com

DESCRIPTION:

The CENTRAL SEMICONDUCTOR CBRDFSH1-40, CBRDFSH1-60, and CBRDFSH1-100 are 1.0 Amp full wave bridge rectifiers mounted in a durable epoxy surface mount case, utilizing glass passivated chips.

**MARKING CODES: CBRDFSH1-40: SH1-40
 CBRDFSH1-60: SH1-60
 CBRDFSH1-100: SH1100**



MAXIMUM RATINGS: ($T_A=25^\circ\text{C}$ unless otherwise noted)

	SYMBOL	CBRDFSH1			UNITS
		-40	-60	-100	
Peak Repetitive Reverse Voltage	V_{RRM}	40	60	100	V
DC Blocking Voltage	V_R	40	60	100	V
RMS Reverse Voltage	$V_{R(RMS)}$	28	42	70	V
Average Forward Current ($T_A=50^\circ\text{C}$)	I_O		1.0		A
Peak Forward Surge Current (8.3ms)	I_{FSM}		30		A
Operating and Storage Junction Temperature ¹	T_J, T_{stg}	-55 to +125			$^\circ\text{C}$
Operating Junction Temperature ²	T_J	-55 to +100			$^\circ\text{C}$

Note 1: Pulsed, AC, and unbiased rating.

Note 2: Continuous power rating.

ELECTRICAL CHARACTERISTICS PER DIODE: ($T_A=25^\circ\text{C}$ unless otherwise noted)

SYMBOL	TEST CONDITIONS	TYP	MAX	UNITS
I_R	$V_R=40\text{V}$ (CBRDFSH1-40)	10	200	μA
I_R	$V_R=60\text{V}$ (CBRDFSH1-60)	10	200	μA
I_R	$V_R=100\text{V}$ (CBRDFSH1-100)	1.0	200	μA
V_F	$I_F=1.0\text{A}$ (CBRDFSH1-40)	490	520	mV
V_F	$I_F=1.0\text{A}$ (CBRDFSH1-60)	600	700	mV
V_F	$I_F=1.0\text{A}$ (CBRDFSH1-100)	800	850	mV

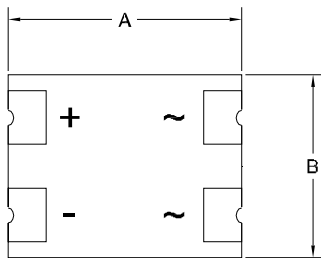
CBRDFSH1-40
 CBRDFSH1-60
 CBRDFSH1-100

**SURFACE MOUNT
 1.0 AMP SILICON
 SCHOTTKY BRIDGE RECTIFIERS**

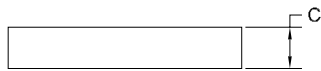


BR DFN CASE - MECHANICAL OUTLINE

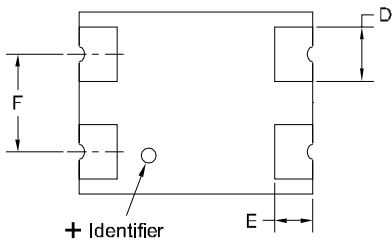
CASE DRAWING: BR DFN



TOP VIEW



SIDE VIEW



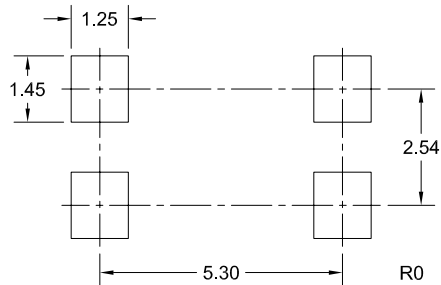
BOTTOM VIEW

R2

SYMBOL	DIMENSIONS			
	INCHES		MILLIMETERS	
	MIN	MAX	MIN	MAX
A	0.238	0.246	6.05	6.25
B	0.183	0.191	4.65	4.85
C	0.032	0.048	0.81	1.22
D	0.051	0.059	1.30	1.50
E	0.037	0.041	0.95	1.05
F	0.098	0.102	2.49	2.59

BR DFN (REV: R2)

**SUGGESTED MOUNTING PADS
 (Dimensions in mm)**



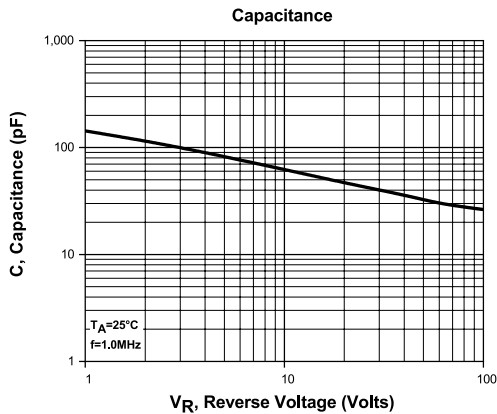
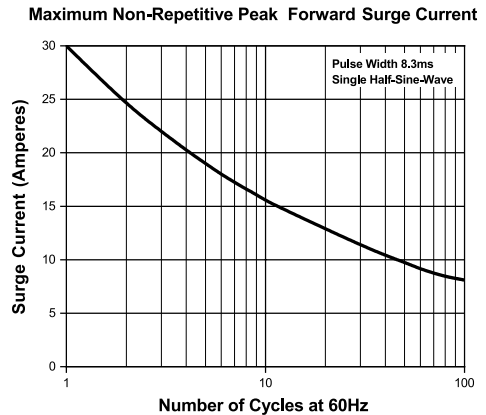
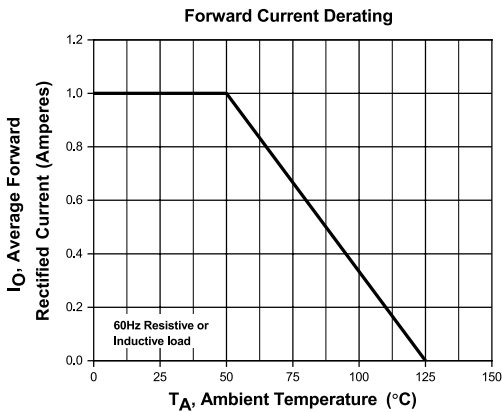
**MARKING CODES: CBRDFSH1-40: SH1-40
 CBRDFSH1-60: SH1-60
 CBRDFSH1-100: SH1100**

CBRDFSH1-40
CBRDFSH1-60
CBRDFSH1-100

SURFACE MOUNT
1.0 AMP SILICON
SCHOTTKY BRIDGE RECTIFIERS



TYPICAL ELECTRICAL CHARACTERISTICS

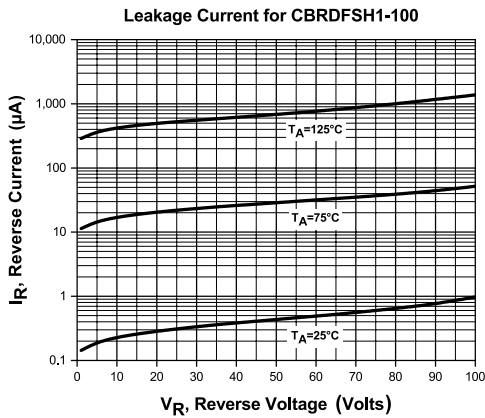
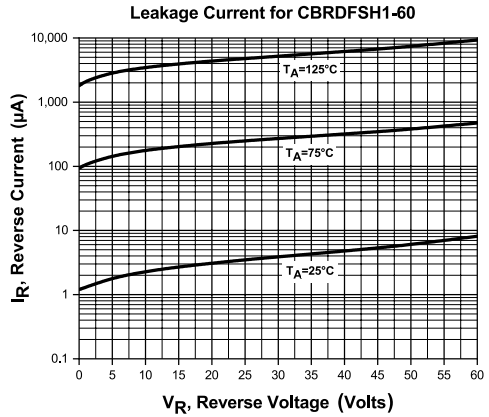
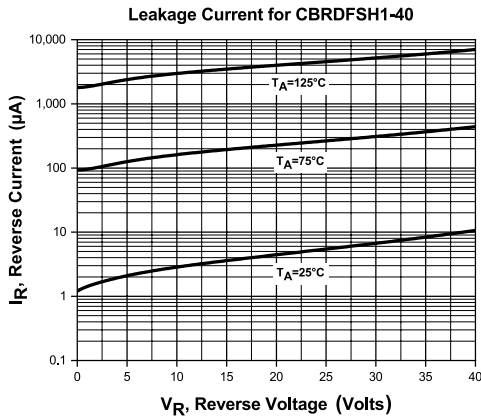


CBRDFSH1-40
CBRDFSH1-60
CBRDFSH1-100

SURFACE MOUNT
1.0 AMP SILICON
SCHOTTKY BRIDGE RECTIFIERS



TYPICAL ELECTRICAL CHARACTERISTICS

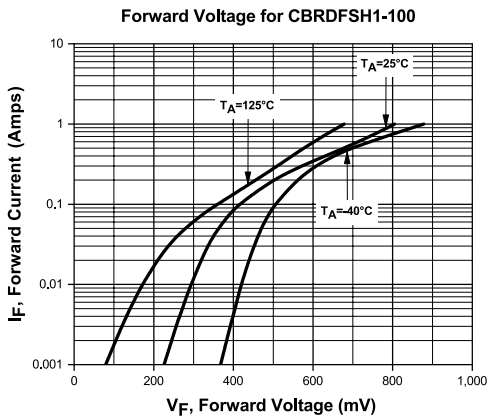
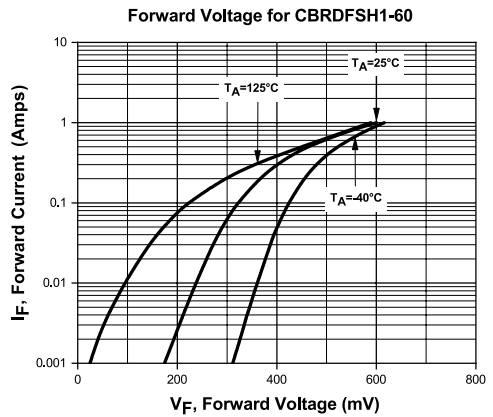
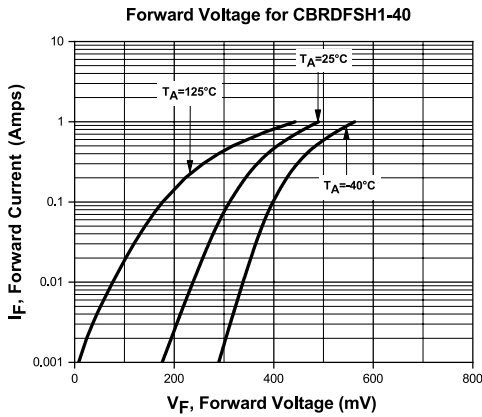


CBRDFSH1-40
CBRDFSH1-60
CBRDFSH1-100

SURFACE MOUNT
1.0 AMP SILICON
SCHOTTKY BRIDGE RECTIFIERS



TYPICAL ELECTRICAL CHARACTERISTICS



OUTSTANDING SUPPORT AND SUPERIOR SERVICES



PRODUCT SUPPORT

Central's operations team provides the highest level of support to insure product is delivered on-time.

- Supply management (Customer portals)
- Inventory bonding
- Consolidated shipping options
- Custom bar coding for shipments
- Custom product packing

DESIGNER SUPPORT/SERVICES

Central's applications engineering team is ready to discuss your design challenges. Just ask.

- Free quick ship samples (2nd day air)
- Online technical data and parametric search
- SPICE models
- Custom electrical curves
- Environmental regulation compliance
- Customer specific screening
- Up-screening capabilities
- Special wafer diffusions
- PbSn plating options
- Package details
- Application notes
- Application and design sample kits
- Custom product and package development

REQUESTING PRODUCT PLATING

1. If requesting Tin/Lead plated devices, add the suffix "TIN/LEAD" to the part number when ordering (example: 2N2222A TIN/LEAD).
2. If requesting Lead (Pb) Free plated devices, add the suffix "PBFREE" to the part number when ordering (example: 2N2222A PBFREE).

CONTACT US

Corporate Headquarters & Customer Support Team

Central Semiconductor Corp.
145 Adams Avenue
Hauppauge, NY 11788 USA
Main Tel: (631) 435-1110
Main Fax: (631) 435-1824
Support Team Fax: (631) 435-3388
www.centrasemi.com

Worldwide Field Representatives:
www.centrasemi.com/wwreps

Worldwide Distributors:
www.centrasemi.com/wwdistributors

For the latest version of Central Semiconductor's **LIMITATIONS AND DAMAGES DISCLAIMER**, which is part of Central's Standard Terms and Conditions of sale, visit: www.centrasemi.com/terms