

CBRDFSH2-40
 CBRDFSH2-60
 CBRDFSH2-100

**SURFACE MOUNT
 2.0 AMP SILICON
 SCHOTTKY BRIDGE RECTIFIERS**

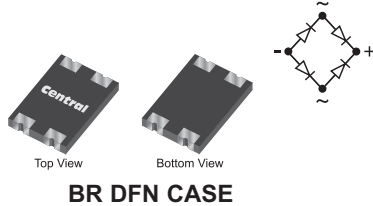


www.centrasemi.com

DESCRIPTION:

The CENTRAL SEMICONDUCTOR CBRDFSH2-40, CBRDFSH2-60, and CBRDFSH2-100 are 2.0 Amp full wave bridge rectifiers mounted in a durable epoxy surface mount case, utilizing glass passivated chips.

BRIDGE



**MARKING CODES: CBRDFSH2-40: SH2-40
 CBRDFSH2-60: SH2-60
 CBRDFSH2-100: SH2100**

MAXIMUM RATINGS: ($T_A=25^\circ\text{C}$ unless otherwise noted)

| | SYMBOL | CBRDFSH2 | | | UNITS |
|--|----------------|----------|-------------|------|------------------|
| | | -40 | -60 | -100 | |
| Peak Repetitive Reverse Voltage | V_{RRM} | 40 | 60 | 100 | V |
| DC Blocking Voltage | V_R | 40 | 60 | 100 | V |
| RMS Reverse Voltage | $V_{R(RMS)}$ | 28 | 42 | 70 | V |
| Average Forward Current ($T_A=50^\circ\text{C}$) | I_O | | 2.0 | | A |
| Peak Forward Surge Current (8.3ms) | I_{FSM} | | 50 | | A |
| Operating and Storage Junction Temperature | T_J, T_{stg} | | -55 to +125 | | $^\circ\text{C}$ |

ELECTRICAL CHARACTERISTICS PER DIODE: ($T_A=25^\circ\text{C}$ unless otherwise noted)

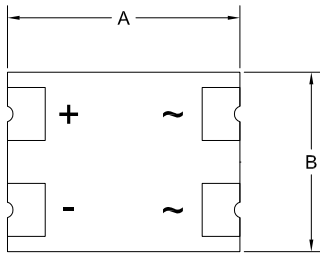
| SYMBOL | TEST CONDITIONS | TYP | MAX | UNITS |
|--------|------------------------------------|-----|-----|---------------|
| I_R | $V_R=40\text{V}$ (CBRDFSH2-40) | 25 | 200 | μA |
| I_R | $V_R=60\text{V}$ (CBRDFSH2-60) | 10 | 200 | μA |
| I_R | $V_R=100\text{V}$ (CBRDFSH2-100) | 0.5 | 200 | μA |
| V_F | $I_F=2.0\text{A}$ (CBRDFSH2-40) | 490 | 520 | mV |
| V_F | $I_F=2.0\text{A}$ (CBRDFSH2-60) | 600 | 700 | mV |
| V_F | $I_F=2.0\text{A}$ (CBRDFSH2-100) | 800 | 850 | mV |
| C_J | $V_R=4.0\text{V}, f=1.0\text{MHz}$ | | 250 | pF |

CBRDFSH2-40
 CBRDFSH2-60
 CBRDFSH2-100

SURFACE MOUNT
 2.0 AMP SILICON
 SCHOTTKY BRIDGE RECTIFIERS



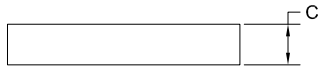
BR DFN CASE - MECHANICAL OUTLINE



TOP VIEW

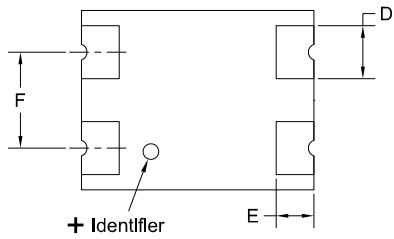
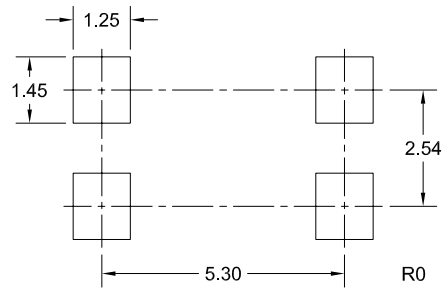
| DIMENSIONS | | | | |
|------------|--------|-------|-------------|------|
| SYMBOL | INCHES | | MILLIMETERS | |
| | MIN | MAX | MIN | MAX |
| A | 0.238 | 0.246 | 6.05 | 6.25 |
| B | 0.183 | 0.191 | 4.65 | 4.85 |
| C | 0.036 | 0.048 | 0.92 | 1.22 |
| D | 0.053 | 0.057 | 1.35 | 1.45 |
| E | 0.037 | 0.041 | 0.95 | 1.05 |
| F | 0.098 | 0.102 | 2.49 | 2.59 |

BR DFN (REV: R0)



SIDE VIEW

SUGGESTED MOUNTING PADS
 (Dimensions in mm)



BOTTOM VIEW R0

MARKING CODES: CBRDFSH2-40: SH2-40
 CBRDFSH2-60: SH2-60
 CBRDFSH2-100: SH2100

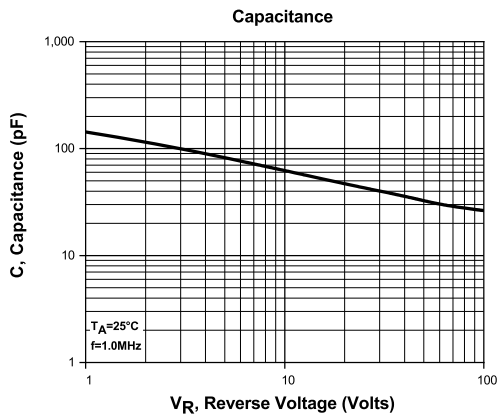
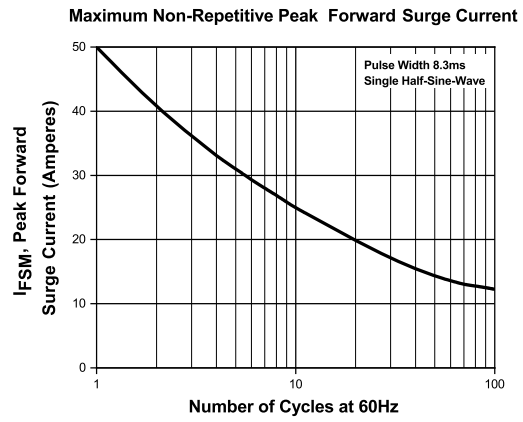
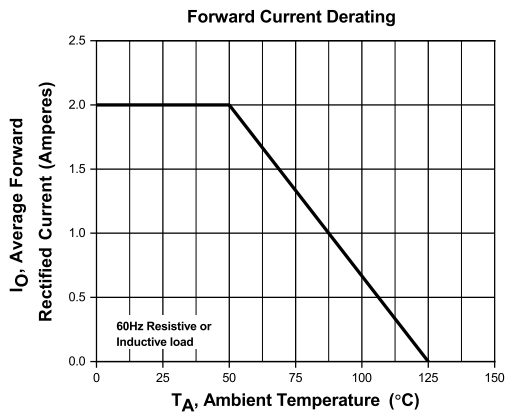
R3 (9-September 2019)

CBRDFSH2-40
 CBRDFSH2-60
 CBRDFSH2-100

SURFACE MOUNT
 2.0 AMP SILICON
 SCHOTTKY BRIDGE RECTIFIERS



TYPICAL ELECTRICAL CHARACTERISTICS



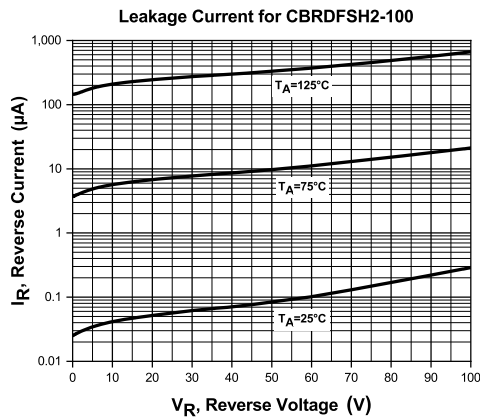
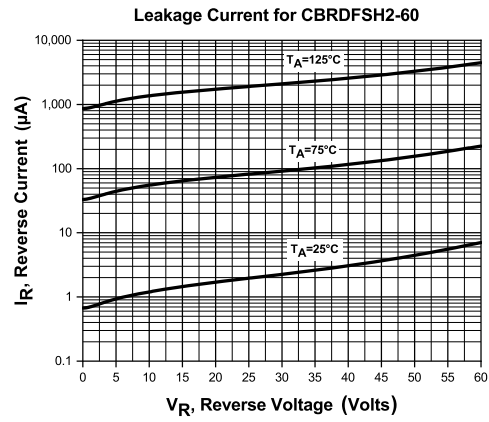
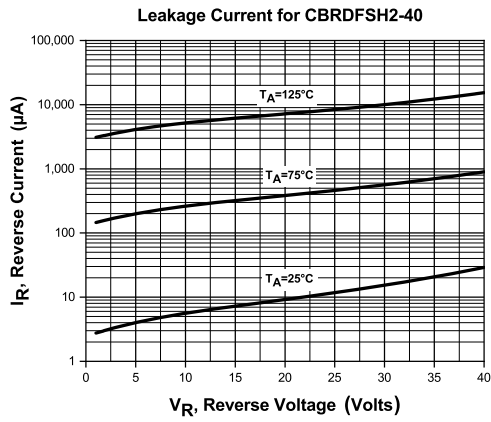
R3 (9-September 2019)

CBRDFSH2-40
 CBRDFSH2-60
 CBRDFSH2-100

SURFACE MOUNT
 2.0 AMP SILICON
 SCHOTTKY BRIDGE RECTIFIERS



TYPICAL ELECTRICAL CHARACTERISTICS



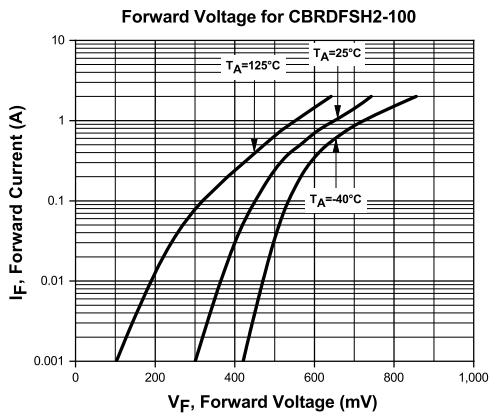
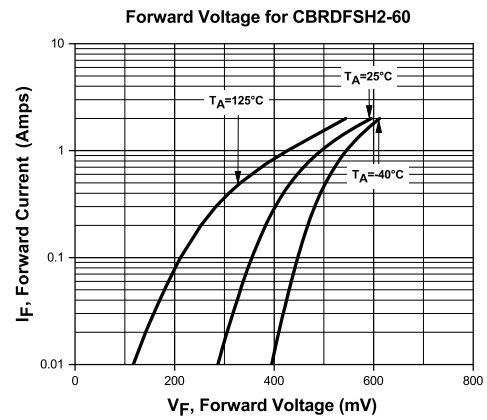
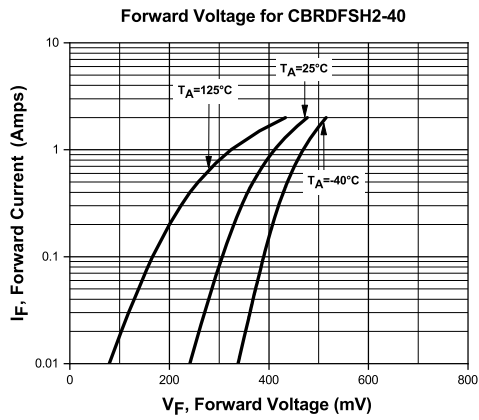
R3 (9-September 2019)

CBRDFSH2-40
CBRDFSH2-60
CBRDFSH2-100

SURFACE MOUNT
2.0 AMP SILICON
SCHOTTKY BRIDGE RECTIFIERS



TYPICAL ELECTRICAL CHARACTERISTICS



R3 (9-September 2019)

OUTSTANDING SUPPORT AND SUPERIOR SERVICES



PRODUCT SUPPORT

Central's operations team provides the highest level of support to insure product is delivered on-time.

- Supply management (Customer portals)
- Inventory bonding
- Consolidated shipping options
- Custom bar coding for shipments
- Custom product packing

DESIGNER SUPPORT/SERVICES

Central's applications engineering team is ready to discuss your design challenges. Just ask.

- Free quick ship samples (2nd day air)
- Online technical data and parametric search
- SPICE models
- Custom electrical curves
- Environmental regulation compliance
- Customer specific screening
- Up-screening capabilities
- Special wafer diffusions
- PbSn plating options
- Package details
- Application notes
- Application and design sample kits
- Custom product and package development

REQUESTING PRODUCT PLATING

1. If requesting Tin/Lead plated devices, add the suffix " TIN/LEAD" to the part number when ordering (example: 2N2222A TIN/LEAD).
2. If requesting Lead (Pb) Free plated devices, add the suffix " PBFREE" to the part number when ordering (example: 2N2222A PBFREE).

CONTACT US

Corporate Headquarters & Customer Support Team

Central Semiconductor Corp.
145 Adams Avenue
Hauppauge, NY 11788 USA
Main Tel: (631) 435-1110
Main Fax: (631) 435-1824
Support Team Fax: (631) 435-3388
www.centrasemi.com

Worldwide Field Representatives:
www.centrasemi.com/wwreps

Worldwide Distributors:
www.centrasemi.com/wwdistributors

For the latest version of Central Semiconductor's **LIMITATIONS AND DAMAGES DISCLAIMER**, which is part of Central's Standard Terms and Conditions of sale, visit: www.centrasemi.com/terms