

## **CC900**

# Single Chip High Performance RF Transceiver

### Applications

- UHF wireless data transmitters and receivers
- Wireless alarm and security systems
- 868 and 915 MHz ISM/SRD band systems
- Keyless entry with acknowledgement
- Remote control systems
- Home security and automation
- Low power telemetry
- Remote metering
- Environmental control
- Social alarms

### Product Description

**CC900** is a single-chip high performance UHF transceiver designed for low-power and low-voltage wireless applications. The circuit is mainly intended for the ISM (Industrial, Scientific and Medical) and SRD (Short Range Device) frequency bands at 868 and 915 MHz, but can easily be programmed for operation at other frequency bands in the 800-1000 MHz range.

The main operating parameters of **CC900** can be programmed via a serial interface, thus making **CC900** a very flexible and easy to use transceiver. In a typical system **CC900** will be used together with a microcontroller and a few external passive components.

**CC900** is based on Chipcon's SmartRF<sup>®</sup> technology.



### Features

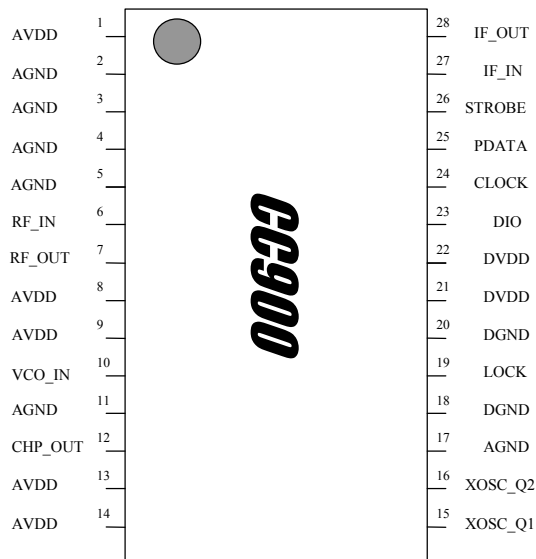
- Single chip UHF RF transceiver
- Frequency range 800 – 1000 MHz
- High sensitivity (typical -110 dBm)
- Programmable output power up to 4 dBm
- Complies with EN 300 220
- Small size (SSOP-28 package)
- Low supply voltage (2.7 V to 3.3 V)
- Very few external components required
- No external RF switch required
- No external IF filter required
- Single port antenna connection
- FSK modulation with data-rate up to 9.6 kbit/s
- Suitable for both narrow and wide band systems
- Radio frequency (RF) programmable in steps of 250 Hz makes crystal temperature drift compensation possible
- Suitable for frequency hopping protocols
- Development kit available
- Easy-to-use software for generating the **CC900** configuration data

## Pin Assignment

Pin no.	Pin name	Pin type	Description
1	AVDD	Power (A)	Power supply (3 V) for analog modules
2	AGND	Ground (A)	Ground connection (0 V) for analog modules
3	AGND	Ground (A)	Ground connection (0 V) for analog modules
4	AGND	Ground (A)	Ground connection (0 V) for analog modules
5	AGND	Ground (A)	Ground connection (0 V) for analog modules
6	RF_IN	RF Input	RF signal input from antenna (external ac-coupling)
7	RF_OUT	RF output	RF signal output to antenna
8	AVDD	Power (A)	Power supply (3 V) for analog modules
9	AVDD	Power (A)	Power supply (3 V) for analog modules
10	VCO_IN	Analog input	External VCO-tank input
11	AGND	Ground (A)	Ground connection (0 V) for analog modules
12	CHP_OUT	Analog output	Charge pump current output
13	AVDD	Power (A)	Power supply (3 V) for analog modules
14	AVDD	Power (A)	Power supply (3 V) for analog modules
15	XOSC_Q1	Analog input	Crystal, pin 1, or external clock input
16	XOSC_Q2	Analog output	Crystal, pin 2
17	AGND	Ground (A)	Ground connection (0 V) for analog modules
18	DGND	Ground (D)	Ground connection (0 V) for digital modules
19	LOCK	Digital output	PLL Lock indicator. Output is high when PLL is in lock
20	DGND	Ground (D)	Ground connection (0 V) for digital modules
21	DVDD	Power (D)	Power supply (3 V) for digital modules
22	DVDD	Power (D)	Power supply (3 V) for digital modules
23	DIO	Digital input/output (bidirectional)	Data input in transmit mode Demodulator output in receive mode
24	CLOCK	Digital input	Programming clock for 3-wire bus
25	PDATA	Digital input	Programming data for 3-wire bus
26	STROBE	Digital input	Programming strobe (Load) for 3-wire bus
27	IF_IN	Analog input	Input to IF chain (from optional external ceramic filter). The input impedance is 1.5 kΩ so a direct connection to an external ceramic filter is possible
28	IF_OUT	Analog output	Output from first amplifier in IF-chain (to optional external ceramic filter). The output impedance is 1.5 kΩ so a direct connection to an external ceramic filter is possible

A=Analog, D=Digital

(Top view)

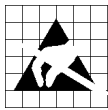


## Absolute Maximum Ratings

Parameter	Min.	Max.	Units	Condition
Supply voltage, VDD	-0.3	7.0	V	
Voltage on any pin	-0.3	VDD+0.3, max 7.0	V	
Input RF level		10	dBm	
Storage temperature range	-50	150	°C	
Operating ambient temperature range	-30	85	°C	
Lead temperature		260	°C	T = 10 s

Under no circumstances the absolute maximum ratings given above should be violated. Stress exceeding one or more of

the limiting values may cause permanent damage to the device.



**Caution!** ESD sensitive device.  
Precaution should be used when handling the device in order to prevent permanent damage.

## Electrical Specifications

Parameter	Min.	Typ.	Max.	Unit	Condition
<b>Overall</b>					
RF Frequency Range	800	868	1000	MHz	Programmable in steps of 250 Hz
<b>Transmit Section</b>					
Transmit data rate	0.3	2.4	9.6	kbit/s	Manchester code is required. (9.6 kbit/s equals 19.2 kbaud/s using Manchester code)
Binary FSK frequency separation	0	10	200	kHz	The frequency corresponding to the digital "0" is denoted $f_0$ , while $f_1$ corresponds to a digital "1". The frequency separation is $f_1 - f_0$ . The RF carrier frequency, $f_c$ , is then given by $f_c = (f_0 + f_1) / 2$ . (The frequency deviation is given by $f_d = +/- (f_1 - f_0) / 2$ ) The frequency separation is programmable.
Programmable output power	-20		4	dBm	Delivered to 50 $\Omega$ load. The output power is programmable in steps of 1 dB.
RF output impedance		200		$\Omega$	Transmit mode, parallel equivalent. For matching details see "Input/ output matching" p. 13.
Harmonics		-25		dBc	When using a high output power level an external LC or SAW filter may be used to reduce harmonics emission to comply with SRD requirements. See p.14

Parameter	Min.	Typ.	Max.	Unit	Condition
<b>Receive Section</b>					
Receiver Sensitivity		-110		dBm	Measured at a data rate of 1.2 kbit/s, 60 kHz IF and 20 kHz frequency separation with a bit error rate better than $10^{-3}$ . For other settings see p. 12.
Cascaded noise figure		3		dB	
LO leakage			-57	dBm	Depends on external components placement
Input impedance		16 $\Omega$ 3.6 pF			Receive mode, series equivalent at 869 MHz. For matching details see "Input/output matching" p.13.
Turn on time		500 3 5 30		$\mu$ s ms ms ms	With precharging, 9.6 kbit/s Without precharging, 9.6 kbit/s With precharging, 1.2 kbit/s Without precharging, 1.2 kbit/s  See "Demodulator precharging for reduced turn-on time" p.18.
Blocking / Desensitization					See p. 15 for details. Using an external SAW filter at the front end will improve the blocking performance
$\pm 1$ MHz		30		dB	
$\pm 2$ MHz		35		dB	
$\pm 5$ MHz		50		dB	
<b>IF Section</b>					
Intermediate frequency (IF)		60 200 455		kHz kHz kHz	The IF is programmable. Either 60 kHz, 200 kHz or 455 kHz can be chosen  An optional external IF filter can be used if 455 kHz is chosen. The impedance level is 1.5 k $\Omega$
<b>Frequency Synthesiser Section</b>					
Crystal Oscillator Frequency	4	12	13	MHz	
Crystal frequency accuracy requirement		+/- 50		ppm	The crystal frequency accuracy and drift (ageing and temperature dependency) will determine the frequency accuracy of the transmitted signal.
Crystal operation		Parallel			C151 and C161 are loading capacitors, see p. 14.
Crystal load capacitance			20 16 12	pF pF pF	4-6 MHz 6-10 MHz 10-13 MHz
Crystal oscillator start-up time		3	6	ms	12 MHz, 12 pF load
Output signal phase noise		-90		dBc/Hz	100 kHz offset from carrier
PLL lock time (RX / TX turn time)		100		$\mu$ s	

Parameter	Min.	Typ.	Max.	Unit	Condition
PLL turn-on time, crystal oscillator off in power down mode		4		ms	
PLL turn-on time, crystal oscillator on in power down mode		2		ms	
<b>Digital Inputs/Outputs</b>					
Logic "0" input voltage	0		0.3*VDD	V	
Logic "1" input voltage	0.7*VDD		VDD	V	
Logic "0" output voltage	0		0.4	V	Output current -2.5 mA, 3.0 V supply voltage
Logic "1" output voltage	2.5		VDD	V	
Logic "0" input current	NA		-1	μA	Input signal equals GND
Logic "1" input current	NA		1	μA	Input signal equals VDD
<b>Power Supply</b>					
Supply voltage		3.0		V	Recommended operation voltage
	2.7		3.3	V	Operating limits
Current Consumption, receive mode		21		mA	
Current Consumption, average in receive mode using polling		210		μA	1:100 receive to power down ratio
Current Consumption, transmit mode:					
P=0.01 mW (-20 dBm)		25		mA	The output power is delivered to a 50 Ω load
P=0.1 mW (-10 dBm)		31		mA	
P=1 mW (0 dBm)		54		mA	
P=2.5 mW (4 dBm)		91		mA	
Current Consumption, Power Down		30		μA	Oscillator core on
		0.2	1	μA	

## Circuit Description

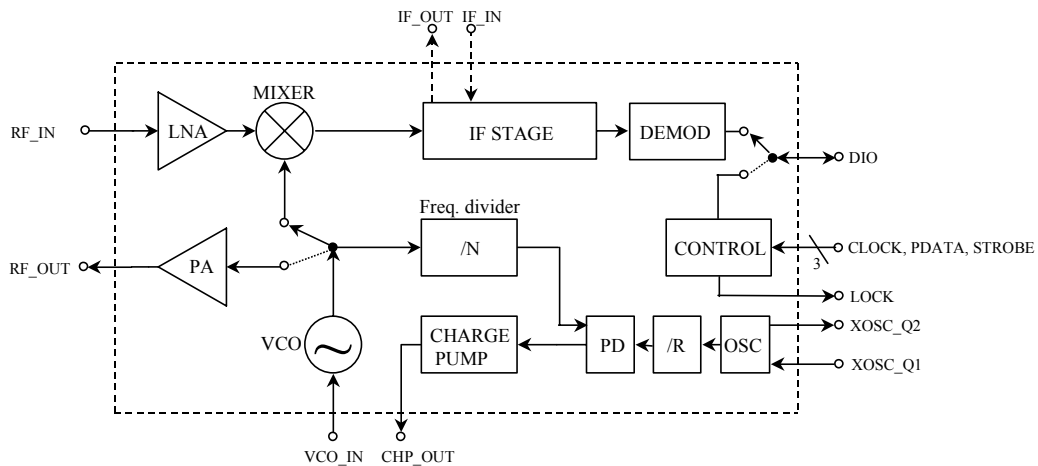


Figure 1. Simplified block diagram of the **CC900**.

A simplified block diagram of **CC900** is shown in figure 1. Only signal pins are shown.

In receive mode **CC900** is configured as a traditional heterodyne receiver. The RF input signal is amplified by the low-noise amplifier (LNA) and converted down to the intermediate frequency (IF) by the mixer (MIXER). In the intermediate frequency stage (IF STAGE) this downconverted signal is amplified and filtered before being fed to the demodulator (DEMOM). As an option an external IF filter can be used for improved selectivity. After demodulation **CC900** outputs the raw digital demodulated data on the pin DIO. Synchronisation and final qualification of the demodulated data is done by the interfacing digital system (microcontroller).

In transmit mode the voltage controlled oscillator (VCO) output signal is fed

directly to the power amplifier (PA). The RF output is frequency shift keyed (FSK) by the digital bit stream fed to the pin DIO. The internal T/R switch circuitry makes the antenna interface and matching very easy.

The frequency synthesiser generates the local oscillator signal which is fed to the MIXER in receive mode and to the PA in transmit mode. The frequency synthesiser consists of a crystal oscillator (XOSC), phase detector (PD), charge pump (CHARGE PUMP), VCO, and frequency dividers (/R and /N). An external crystal must be connected to XOSC, and an external LC-tank with a varactor diode is required for the VCO. For flexibility the loop filter is external.

For chip configuration **CC900** includes a 3-wire digital serial interface (CONTROL).

## Configuration Overview

**CC900** can be configured to achieve the best performance for different applications. Through the programmable configuration registers the following key parameters can be programmed:

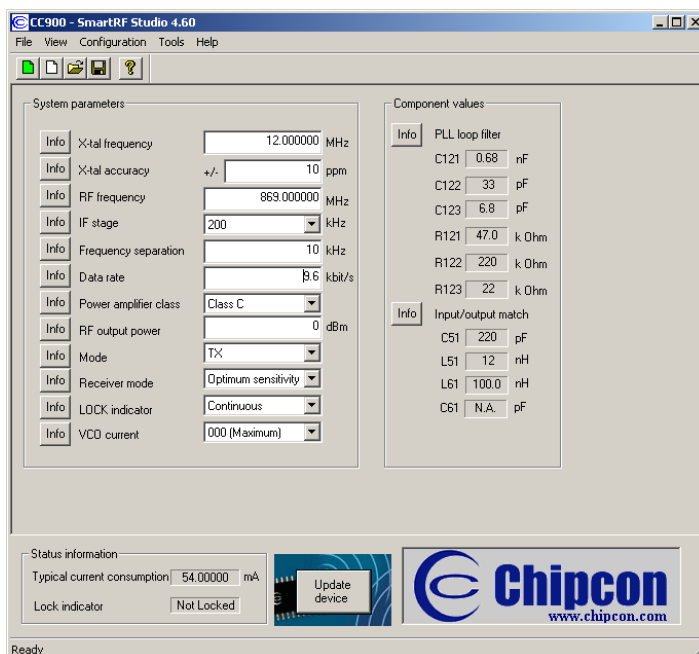
- Receive/Transmit mode.
- RF output power level.
- Power amplifier operation class (A, AB, B or C).
- Frequency synthesiser key parameters: RF output frequency, FSK modulation frequency separation (deviation), crystal oscillator reference frequency.
- Power-down/power-up mode.
- Reference oscillator on or off in power down mode (when on, shorter frequency synthesiser start-up time is achieved).
- The IF (intermediate frequency) can be set to either 60 kHz or 200 kHz using on-chip filters, or 455 kHz using an external filter.
- Data rate can be selected.
- Synthesiser lock indicator mode. The lock detection can be enabled/disabled. When enabled, two lock detection modes can be chosen, either "mono-stable" or continuous.
- In receive mode precharging of the demodulator can be used to achieve faster settling time (see p.18).

## Configuration Software

Chipcon provide users of **CC900** with a program, SmartRF Studio (Windows interface) that generates all necessary **CC900** configuration data based on the user's selections of various parameters. Based on the selections 8 hexadecimal numbers are generated. These hexadecimal numbers will then be the necessary input to the microcontroller for

configuration of **CC900**. In addition the program will provide the user with the component values needed for the PLL loop filter and the input/output matching circuit.

Figure 2 shows the user interface of the **CC900** configuration software.



**Figure 2.**  
SmartRF Studio user interface.

### 3-wire Serial Interface

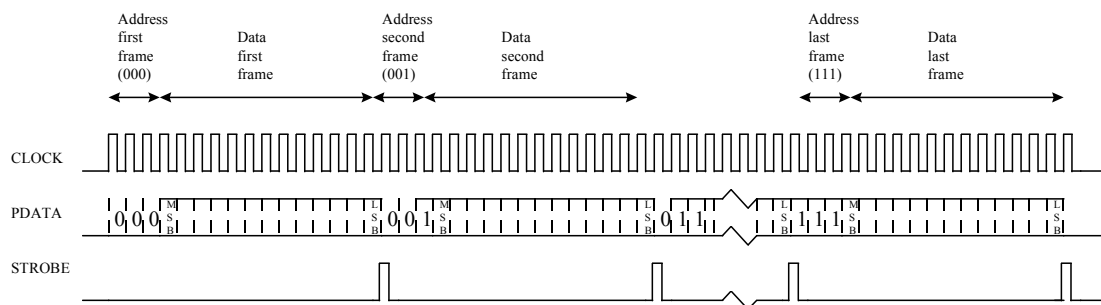
**CC900** is programmed via a simple 3-wire interface (STROBE, PDATA and CLOCK). A full configuration of **CC900** requires sending 8 data frames of 16 bits each. With a clock rate of 2 MHz the time needed for a full configuration will therefore be less than 100  $\mu$ s. Setting the device in power down mode requires sending one frame only and will therefore take less than 10  $\mu$ s.

In each write-cycle 16 bits are sent on the PDATA-line. The three most significant bits of each data frame (*bit15*, *bit14* and *bit13*) are the address-bits. *Bit15* is the MSB of the address and is sent as the first bit. See figure 3.

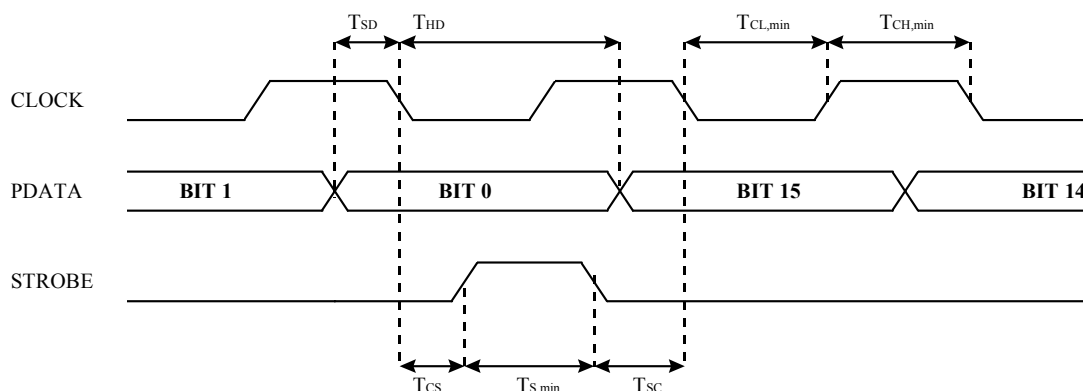
A timing diagram for the programming is shown in figure 4. The clocking of the data on PDATA is done on the negative edge of CLOCK. When the last bit, *bit0*, of the sixteen bits has been loaded, the STROBE-pulse must be brought high and then low to load the data.

The configuration data will be valid after a programmed power-down mode, but not when the power-supply is turned off. When changing mode, only the frames that are different need to be programmed.

The timing specifications are given in table 1.



**Figure 3. Serial data transfer (full configuration).**



**Figure 4. Timing diagram, serial interface.**



Parameter	Symbol	Min	Max	Units	Conditions
CLOCK, clock frequency	$F_{\text{CLOCK}}$	-	2	MHz	
CLOCK low pulse duration	$T_{\text{CL,min}}$	50		ns	The minimum time CLOCK can be low.
CLOCK high pulse duration	$T_{\text{CH,min}}$	50		ns	The minimum time CLOCK can be high.
PDATA setup time	$T_{\text{SD}}$	5	-	ns	The minimum time data on PDATA must be ready before the negative edge of CLOCK.
PDATA hold time	$T_{\text{HD}}$	5	-	ns	The minimum time data must be held at PDATA, after the negative edge of CLOCK.
CLOCK to STROBE time	$T_{\text{CS}}$	5	-	ns	The minimum time after the negative edge of CLOCK before positive edge of STROBE.
STROBE to CLOCK time	$T_{\text{SC}}$	5	-	ns	The minimum time after the negative edge of STROBE before negative edge of CLOCK.
STROBE pulse duration	$T_{\text{S,min}}$	50		ns	The minimum time STROBE can be high.
Rise time	$T_{\text{rise}}$		100	ns	The maximum rise time for CLOCK and STROBE
Fall time	$T_{\text{fall}}$		100	ns	The maximum fall time for CLOCK and STROBE

Note: The set-up- and hold-times refer to 50% of VDD.

**Table 1. Serial interface, timing specification.**

## Microcontroller Interface

Used in a typical system, **CC900** will interface to a microcontroller. This microcontroller must be able to:

- Program the ASIC into different modes via the 3-wire serial interface (PDATA, STROBE, CLOCK).
- Operate with the bidirectional data pin DIO.
- Perform oversampling of the demodulator output (on pin DIO), recover the clock corresponding to the actual datarate, and perform data quali-

fication (on Manchester encoded data).

- Data to be sent must be Manchester encoded.
- Optionally the microcontroller can monitor the frequency lock status from pin LOCK.
- Optionally the microcontroller can perform precharging of the receiver in order to reduce the turn-on time (see p.18).

### Connecting the microcontroller

The microcontroller uses 3 output pins for the serial interface (PDATA, STROBE and CLOCK). A bi-directional pin is used for data to be transmitted and data received. Optionally another pin can be used to monitor the LOCK signal. This signal is logic level high when the PLL is in lock. See figure 6.

### Data transmission

The data to be sent has to be Manchester encoded (also known as bi-phase-level coding). The Manchester code ensures that the signal has a constant DC component that is necessary for the FSK demodulator. The Manchester code is based on transitions; a “0” is encoded as a low-to-high transition, a “1” is encoded as a high-to-low transition. See figure 5. When the DIO is logic level high, the upper FSK frequency is transmitted. The lower frequency is transmitted when DIO is low.

Note that the receiver data output is inverted when using low-side LO, which is default using SmartRF Studio.

### Data reception

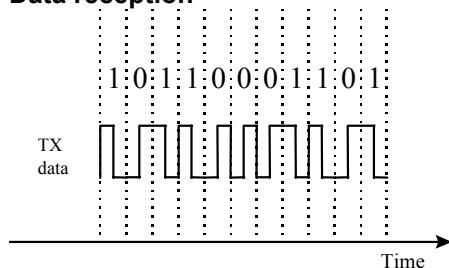


Figure 5. Manchester encoding.

The output of the demodulator (*DIO*) is a digital signal (alternating between 0 V and VDD). For small input signals, there will be some noise on this signal, located at the edges of the digital signal. The datarate of this signal may be up to 9.6 kbit/s. Due to the Manchester coding, the fundamental frequency of the signal is also 9.6 kHz. An oversampling of 4-8 times the frequency of the demodulator-output is recommended. I.e. the sampling frequency should at least be 40-80 kHz for 9.6 kbit/s. For a lower datarate the sampling frequency can be reduced.

In a typical application the data output is sampled by the microcontroller, and stored in an accumulating register. The length of this register will typically be 4-8 bits (depending on the oversampling ratio). The qualification of the data (decide whether the signal is “0” or “1”) can be based on comparing the number of 0’s with the number of 1’s. See Application Note AN008 “Oversampling and data decision for the CC400/CC900” for more details.

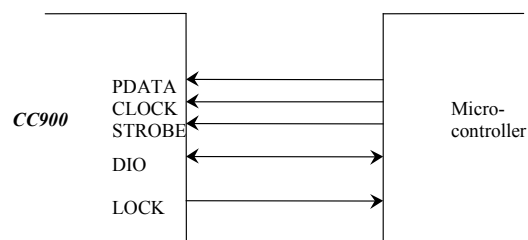


Figure 6. Microcontroller interface.

## Application Circuit

Very few external components are required for operation of **CC900**. A typical application circuit for 869 MHz operation is shown in figure 7. 9.6 kbps data rate and 20 kHz FSK separation are used. Typical component values are shown in table 2.

### Input / output matching

L51 and C51 are the input match for the receiver, and L61 is the DC choke for the transmitter. An internal T/R switch circuitry makes it possible to connect the input and output together matching to 50 Ω. See “Input/output matching” p.13 for details.

### Synthesiser loop filter and VCO tank

The PLL loop filter consists of C121-C123 and R121-R123. The component values are easily calculated using the SmartRF Studio software.

The VCO tank consists of C91-C93, L91 and the varactor (VAR). C91 determines the coupling to the internal VCO amplifier, and thus the VCO loop gain. This loop gain is also controlled by the ‘VCO gain’ setting

in SmartRF Studio, by changing the amplifier current. C92 together with the varactor’s capacitance ratio determines the VCO sensitivity (MHz/V). The sensitivity should be 25 MHz/V. L91 and C93 is used to set the absolute range of the VCO. See Application Note AN012 “VCO fine-tuning CC400 and CC900” for more details.

### Additional filtering

Additional external components (e.g. ceramic IF-filter, RF LC or SAW-filter) may be used in order to improve the performance for specific applications. See also “Optional LC filter” p.14 for further information.

### Voltage supply decoupling

C10-C12, C24-C25, C210 and C211 are voltage supply de-coupling capacitors. These capacitors should be placed as close as possible to the voltage supply pins of **CC900**. The CC900DB should be used as a reference design.

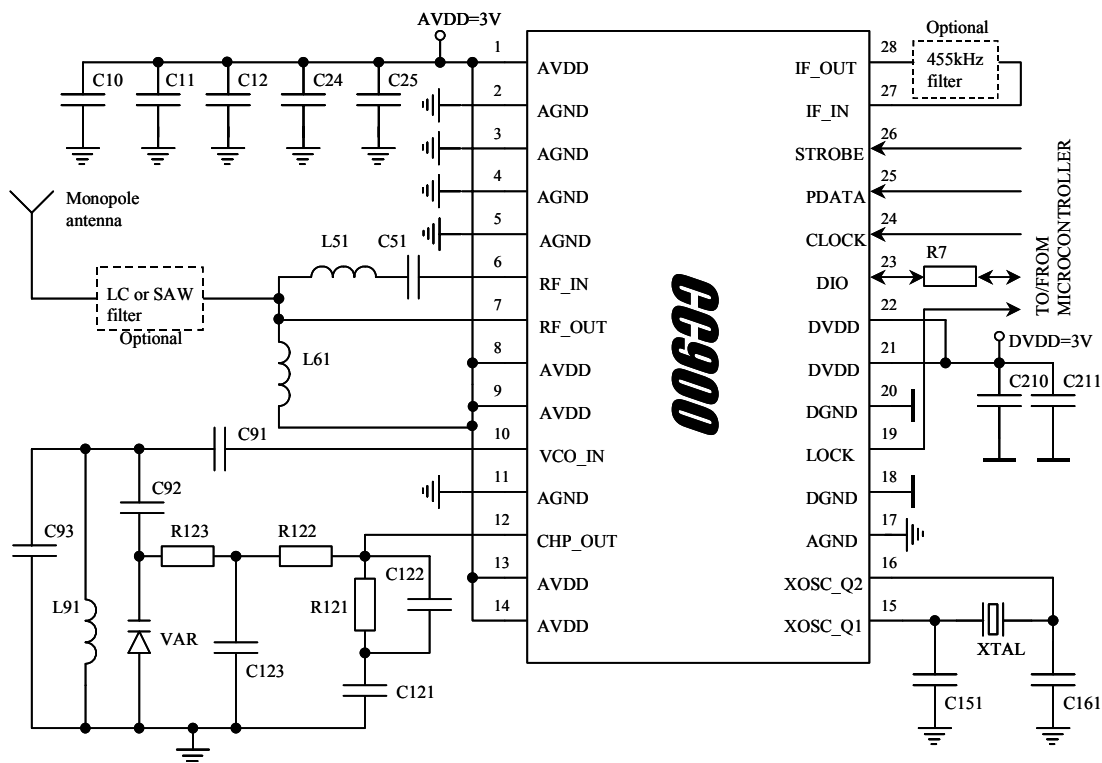


Figure 7. Typical **CC900** application for 869.000 MHz operation.

Item	Description
C10	1 nF, X7R, 0603
C11	33 nF, X7R, 0603
C12	1 nF, X7R, 0603
C24	220 pF, NP0, 0603
C25	12 pF, NP0, 0603
C51	220 pF, NP0, 0603
C91	3.9 pF, NP0, 0603
C92	3.9 pF, NP0, 0603
C93	1.0 pF, NP0, 0603
C121	680 pF, X7R, 0603
C122	33 pF, NP0, 0603
C123	6.8 pF, NP0, 0603
C161	15 pF, NP0, 0603
C151	15 pF, NP0, 0603
C210	1 nF, X7R, 0603
C211	33 nF, X7R, 0603
L51	12 nH, 0805
L61	100 nH, 0805
L91	3.3 nH, 0805 (Murata LQN21A3N3)
R7	10 k $\Omega$ , 0603
R121	47 k $\Omega$ , 0603
R122	220 k $\Omega$ , 0603
R123	22 k $\Omega$ , 0603
VAR	BBY53-03W, Siemens
XTAL	12 MHz crystal, 12 pF load

**Table 2. Bill of materials for the application circuit.**

## Receiver sensitivity

The sensitivity of the receiver depends on which IF frequency and IF filter that has been selected (60, 200 or 455 kHz). It also depends on the data rate (0.3 – 9.6 kbps) and the FSK frequency separation (0 –

200 kHz). Frequency *separation* is twice the frequency *deviation* (for example, 20 kHz separation is +/-10 kHz deviation).

Some typical figures are shown in table 3.

Data rate	IF frequency	Separation	CC900
1.2 kbit/s	60 kHz	20 kHz	-110 dBm
	200 kHz	40 kHz	-107 dBm
	455 kHz ext	12 kHz	-108 dBm
2.4 kbit/s	60 kHz	30 kHz	-108 dBm
	200 kHz	40 kHz	-105 dBm
	455 kHz ext	20 kHz	-103 dBm
4.8 kbit/s	60 kHz	30 kHz	-107 dBm
	200 kHz	40 kHz	-104 dBm
	455 kHz ext	20 kHz	-100 dBm
9.6 kbit/s	60 kHz	30 kHz	-105 dBm
	200 kHz	40 kHz	-102 dBm
	455 kHz ext	20 kHz	-97 dBm

**Table 3. Sensitivity for different IF frequency, data rates and separation.**

In a narrow band system with very low frequency separation (less than 10 kHz) the sensitivity will drop. To insure proper operation the separation should always be larger than 5 kHz (+/- 2.5 kHz deviation). For even smaller separation, or to improve the sensitivity, an external narrow band

demodulator should be used. See Application Note AN005 "Selecting system parameters and system configurations using CC400 / CC900" for more information on narrow band systems.

## Output power

The output power is controlled through several parameters in the configuration registers. Table 4 shows recommended

settings for the different output powers and corresponding typical current consumption.

Output power	Class	Register			Current (mA)
		E9:8	F1:0	C8,A7:6,D12:11	
-15	AB	01	00	00010	28
-14	AB	01	00	00010	28
-13	AB	01	00	00010	28
-12	AB	01	00	00011	30
-11	AB	01	00	00100	31
-10	AB	01	00	00100	31
-9	AB	01	01	00101	37
-8	C	11	10	00001	40
-7	C	11	10	00001	40
-6	C	11	10	00010	42
-5	C	11	10	00010	42
-4	C	11	10	00011	44
-3	C	11	10	00011	44
-2	C	11	10	00100	46
-1	C	11	11	00101	53
0	C	11	11	00110	54
1	C	11	11	00111	56
2	C	11	11	01001	59
3	C	11	11	01110	67
4	C	11	11	11101	91

Table 4. Output power settings and typical current consumption.

## Input / Output Matching

Three passive external components combined with the internal T/R switch circuitry ensures match in both RX and TX mode. The matching network for 868-870 MHz is shown in figure 8. The component values may have to be optimised to

include layout parasitics. Matching components for other frequencies can be found using the configuration software. See also Application Note AN013 "Matching CC400 CC900" for more details.

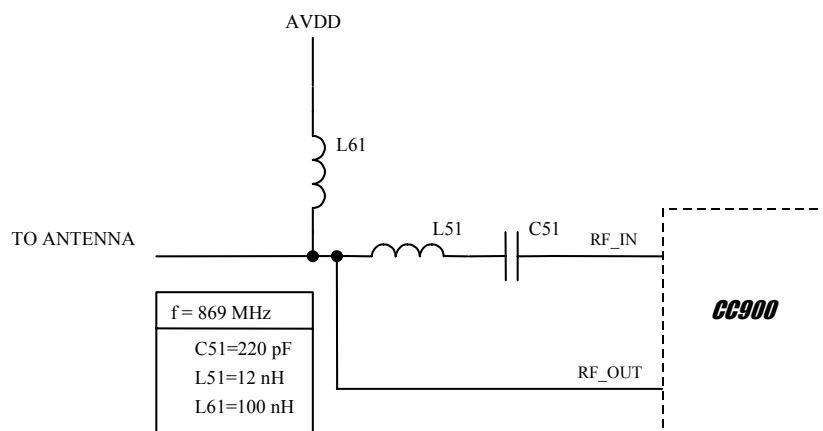
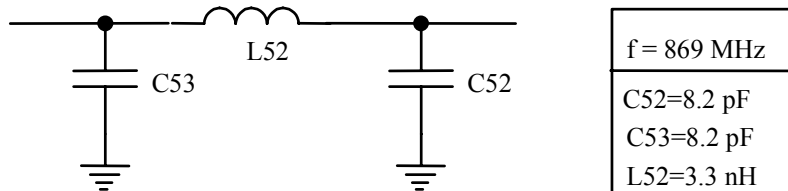


Figure 8. Input/output matching network.

### Optional LC Filter

An optional LC filter may be added between the antenna and the matching network in certain applications. The filter will reduce the emission of harmonics and increase the receiver selectivity.

The filter for use at 868-870 MHz is shown in figure 9. The component values may have to be optimised to include layout parasitics. The filter is designed for 50 Ω terminations.



**Figure 9. LC filter**

### Crystal oscillator

An external clock signal or the internal crystal oscillator can be used as main frequency reference. An external clock signal should be connected to XOSC\_Q1, while XOSC\_Q2 should be left open. The crystal frequency must be in the range 4 - 13 MHz.

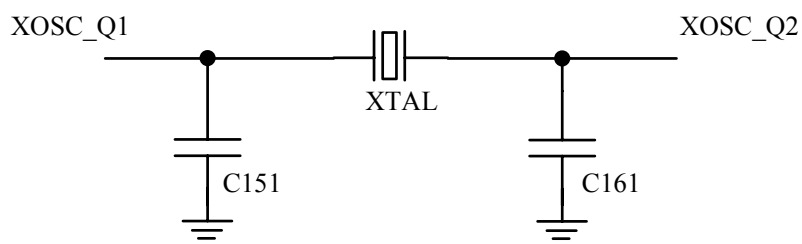
The parasitic capacitance is constituted by the pins input capacitance and PCB stray capacitance. Typically the total parasitic capacitance is 4.5 pF. A trimming capacitor may be placed across C151 for initial tuning if necessary.

Using the internal crystal oscillator, the crystal must be connected between XOSC\_Q1 and XOSC\_Q2. The oscillator is designed for parallel mode operation of the crystal. In addition loading capacitors (C151 and C161) for the crystal are required. The loading capacitor values depend on the total load capacitance,  $C_L$ , specified for the crystal. The total load capacitance seen between the crystal terminals should equal  $C_L$  for the crystal to oscillate at the specified frequency.

The crystal oscillator circuit is shown in figure 10. Typical component values for different values of  $C_L$  are given in table 3.

The initial tolerance, temperature drift, ageing and load pulling should be carefully specified in order to meet the required frequency accuracy in a certain application. By specifying the *total* expected frequency accuracy in SmartRF Studio together with data rate and frequency separation, the software will calculate the total bandwidth and compare to the available IF bandwidth. The software will report any contradictions and a more accurate crystal will be recommended if required.

$$C_L = \frac{1}{\frac{1}{C_{151}} + \frac{1}{C_{161}}} + C_{parasitic}$$



**Figure 10. Crystal oscillator circuit.**

Item	C <sub>L</sub> = 12 pF	C <sub>L</sub> = 16 pF	C <sub>L</sub> = 22 pF
C151	15 pF	22 pF	33 pF
C161	15 pF	22 pF	33 pF

**Table 3. Crystal oscillator component values.**

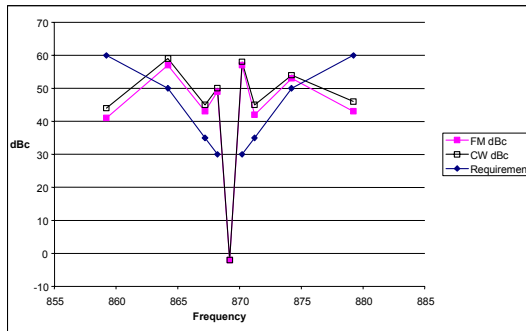
### Loop filter

The loop filter is a lead-lag type of filter. The calculations for the loop filter components are done in the SmartRF Studio software.

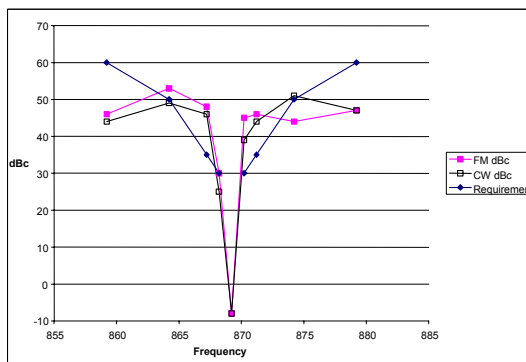
See Application Note AN012, "VCO fine tuning for CC400 and CC900" for more

detailed information. A spreadsheet, CC400\_CC900\_Loop\_Filter\_1\_0.xls, is available from Chipcon that will calculate the loop filter components for a desired bandwidth with different constants than the default values in SmartRF Studio.

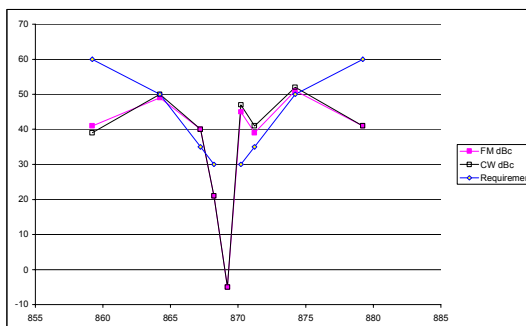
### Blocking



IF = 60 kHz, Separation = 20 kHz. Data rate = 1.2 kbit/s. Interfering signal is CW (no modulation) or FM modulation.



IF = 200 kHz, Separation = 40 kHz. Data rate = 1.2 kbit/s. Interfering signal is CW (no modulation) or FM modulation.



IF = 455 kHz external, Separation = 12 kHz. Data rate = 1.2 kbit/s. Interfering signal is CW (no modulation) or FM modulation.

## PLL Lock Indicator

The **CC900** PLL lock indicator is available on the LOCK pin. The PLL lock signal is not 100% conclusive. That is, if the LOCK signal indicates lock (i.e. a high signal on the LOCK pin) the PLL has locked to the

desired frequency. However, there might be situations where the lock signal does not indicate lock (i.e. a low signal on the LOCK pin) when in fact the PLL has locked to the desired frequency.

## Antenna Considerations

**CC900** can be used together with various types of antennas. The most common antennas for short range communication are monopole, helical and loop antennas.

Monopole antennas are resonant antennas with a length corresponding to one quarter of the electrical wavelength ( $\lambda/4$ ). They are very easy to design and can be implemented simply as a "piece of wire" or even integrated into the PCB.

Non-resonant monopole antennas shorter than  $\lambda/4$  can also be used, but at the expense of range. In size and cost critical applications such an antenna may very well be integrated into the PCB.

Helical antennas can be thought of as a combination of a monopole and a loop antenna. They are a good compromise in size critical applications. But helical antennas tend to be more difficult to optimise than the simple monopole.

Loop antennas are easy to integrate into the PCB, but are less effective due to difficult impedance matching because of their very low radiation resistance.

For low power applications the  $\lambda/4$ -monopole antenna is recommended giving the best range and because of its simplicity.

The length of the  $\lambda/4$ -monopole antenna is given by:

$$L = 7125 / f$$

where f is in MHz, giving the length in cm. An antenna for 869 MHz should be 8.2 cm.

The antenna should be connected as close as possible to the IC. If the antenna is located away from the input pin the antenna should be matched to the feeding transmission line. See Application Note AN003 "Antennas" for more details.



---

## System Considerations and Guidelines

### SRD regulations

International regulations and national laws regulate the use of radio receivers and transmitters. SRDs (Short Range Devices) for licence free operation are allowed to operate in the 868-870 MHz band in most European countries. In the United States such devices operate in the 902-928 MHz band. **CC900** is designed to meet the requirements for operation in these bands. A summary of the most important aspects of these regulations can be found in Application Note AN001, 'SRD regulations for licence free transceiver operation', available from the Chipcon web site.

### Low cost systems

In systems where low cost is of great importance the 200 kHz IF should be used. The oscillator crystal can then be a low cost crystal with 50 ppm frequency tolerance.

### Battery operated systems

In low power applications the power down mode should be used when not being active. Depending on the start-up time requirement, the oscillator core can be powered during power down. Precharging of the demodulator may also be used to reduce the receiver turn-on time, see description p.18.

### Narrow band systems

**CC900** is also suitable for use in narrow band systems. For systems with 25 kHz channel spacing it is strict requirements to the frequency error. A unique feature in **CC900** is the very fine frequency resolution of 250 Hz. This can be used to do the temperature compensation of the crystal if the temperature drift curve is known, and a temperature sensor is included in the system. Even initial adjustment can be

done using the frequency programmability. This eliminates the need for an expensive TCXO and trimming in some applications. In less demanding applications a crystal with low temperature drift and ageing could be used. A trimmer capacitor in the crystal oscillator circuit (in parallel with C151) could be used to set the initial frequency accurately.

It is also possible to include an external IF-filter at 455 kHz. This should be a ceramic filter with 1.5 k $\Omega$  input/output impedance connected between IF\_OUT and IF\_IN. Typical bandwidth is 30 kHz. Due to the high Q of such a filter a better selectivity can be achieved. See Application Note AN005 "Selecting system parameters and system configurations using CC400 / CC900" for more details.

### High reliability systems

Using a SAW filter as a preselector will improve the communication reliability in harsh environments by reducing the probability of blocking. The receiver sensitivity and the output power will be reduced due to the filter insertion loss. By inserting the filter in the RX path only, together with an external RX/TX switch, only the receiver sensitivity is reduced, and output power is remained.

### Spread spectrum frequency hopping systems

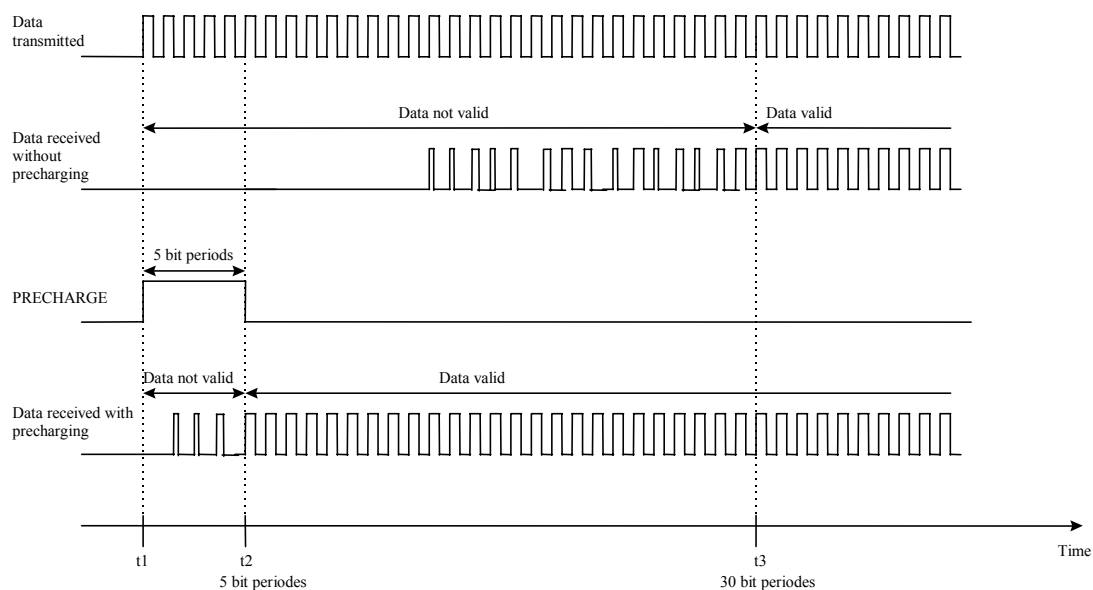
Due to the very fast frequency shift properties of the PLL, the **CC900** is also suitable for frequency hopping systems. Hop rates of 1-100 hops/s are usually used depending on the bit rate and the amount of data to be sent during each transmission. See Application Note AN014 "Frequency Hopping Systems" for more details.

## Demodulator Precharging For Reduced Turn-on Time

The demodulator data slicer has an internal AC coupling giving a time constant of approximately 30 periods of the bit rate period. This means that before proper demodulation can take place, a minimum of 30 start-bits has to be received.

In critical applications where the start-up time should be decreased in order to

reduce the power consumption, this time constant can be reduced to 5 periods using the optional precharging possibility. The precharging is done during data reception by setting the precharging bit in the configuration register active with duration of at least 5 bit periods.



**Figure 10: Demodulation using precharging.**

In the example shown in figure 10, data is transmitted continuously from the transmitter (all 1's). At  $t=t_1$  the receiver is turned on, and then the precharging is

kept on for about 5 bit periods. At  $t=t_2$  the received data is valid and precharging is turned off. When not using precharging, data is not valid until 30 bit periods, at  $t=t_3$ .

---

## PCB Layout Recommendations

A two layer PCB is highly recommended. The bottom layer of the PCB should be the “ground-layer”.

The top layer should be used for signal routing, and the open areas should be filled with metallisation connected to ground using several vias.

The ground pins should be connected to ground as close as possible to the package pin. The decoupling capacitors should also be placed as close as possible to the supply pins and connected to the ground plane by separate vias.

The external components should be as small as possible and surface mount devices should be used.

Precaution should be used when placing the microcontroller in order to avoid interference with the RF circuitry.

In most applications the ground plane can be one common plane, but in certain applications where the ground plane for the digital circuitry is expected to be noisy, the ground plane may be split in an analogue and a digital part. All AGND pins and AVDD decoupling capacitors should be connected to the analogue ground plane. All DGND pins and DVDD decoupling capacitors should be connected to the digital ground. The connection between the two ground planes should be implemented as a star connection with the power supply ground.

The CC900DB reference design is available from Chipcon’s web site, and should be used as a guideline for PCB layout.

---

## Configuration registers

The configuration of **CC900** is done by programming the 8 13-bit configuration registers. The configuration data based on selected system parameters are most

easily found by using the SmartRF Studio software. A complete description of the registers is given in the following tables.

### REGISTER OVERVIEW

Address	Register Name	Description
000	A	Main control register
001	B	General control register
010	C	General control register
011	D	General control register
100	E	General control register
101	F	General control register
110	G	General control register
111	H	General control register

**Register A**

REGISTER	NAME	Default value	Active	Description
A[12]	PD	-	H	Power Down 0 = Chip Enable 1 = Chip Disable (only reference oscillator core on)
A[11]	RXTX	-		Receive/Transmit-mode control 0 = Receive mode 1 = Transmit mode
A[10:8]	S[2:0]	000		Synthesiser test modes (apply when TDEM2=0) <u>Modus (000):</u> Normal operation: Rx/Tx. <u>Modus (001):</u> Divided signal from VCO at PD input monitored at LOCK pin. Modulation (control of A-counter) is disabled. <u>Modus (010):</u> Divided signal from VCO at PD input monitored at LOCK pin. Modulation (control of A-counter) is enabled. <u>Modus (011):</u> Output from reference divider monitored at LOCK pin. <u>Modus (100):</u> Signal at TX_DATA pin used as modulation control overriding the signal from the dual-modulus divider. Output monitored at LOCK pin. <u>Modus (101):</u> Output from prescaler monitored at LOCK pin. Modulation (A-divider control) disabled. <u>Modus (110):</u> Output from prescaler monitored at LOCK pin. Modulation (A-divider control) disabled. <u>Modus (111):</u> Shift register data output monitored at LOCK pin.
A[7:6]	PA[3:2]	-		PA gain programming. Part of PA4:PA0. (PA1:PA0 is in frame D, PA4 is in frame C)
A[5:4]	LNA[1:0]	10		LNA bias current and gain 00 = 0.94mA= $I_0$ 01 = 1.5* $I_0$ =1.40mA 10 = 2* $I_0$ =1.87mA (nominal setting) 11 = 3* $I_0$ =2.81mA
A[3:2]	MIX[1:0]	10		MIXER bias current and gain 00 = 0.36mA 01 = 0.54mA 10 = 0.72mA (nominal setting) 11 = 1.08mA
A[1:0]	LO[1:0]	10		LO drive (peak-differential = peak-peak single-ended) 00 = 144mV 01 = 288mV 10 = 432mV (nominal setting) 11 = 720mV

**Register B**

REGISTER	NAME	Default value	Active	Description
B[12]	PTAT_PRESC	00		Prescaler bias current control. 0 = Current proportional to poly resistor (PTPR) nominal setting 1 = Current proportional to absolute temperature
B[11]	AB[1]	00		Antibacklash pulse width AB[1:0]. AB0 is fixed to 0. 00 = 0ns (nominal setting) 01 = 2.7ns 10 = 4.8ns 11 = 10.9ns Tolerance (+200% / - 70%)
B[10:7]	A[3:0]	-		A-counter
B[6:0]	M[6:0]	-		M-counter

**Register C**

REGISTER	NAME	Default value	Active	Description
C[12]	RESSYN	0		Synthesiser reset 0 = Normal operation 1 = Reset synthesiser
C[11:9]	V[3:1]	-		VCO gain programming. LSB-bit VO = "0". 000= maximum gain 111=minimum gain Reduce gain to reduce LO spurious emission
C[8]	PA[4]	-		PA gain programming. Part of PA4:PA0
C[7]	FSIG	-		Charge pump polarity 0 = Add charge when VREF leads FVCO (Normal) 1 = Sink charge when VREF leads FVCO
C[6:5]	CHP[1:0]	10		Charge pump current: 00 = 10µA 01 = 20µA 10 = 40µA (nominal setting) 11 = 80µA
C[4]	PDX	-	H	Reference oscillator power down 0 = Power on even during main power down 1 = Power down (during main power down)
C[3:0]	R[3:0]	-		R-divider

**Register D**

REGISTER	NAME	Default value	Active	Description
D[12:11]	PA[1:0]	-		PA gain programming. Part PA4
D[10:0]	K[10:0]	-		K-counter K10 is sign bit (0=positive, 1 negative). Negative K must be 2's complement

**Register E**

REGISTER	NAME	Default value	Active	Description
E[12]	LW	0		PLL Lock-Window tolerance 0 = 21ns (Normal setting) 1 = 44ns
E[11]	LM	-		Lock mode (Lock is reset when PLL is reprogrammed). 0 = Single shot 1 = Continuous
E[10]	LH	-		Lock detection enable 0 = Lock detection enabled 1 = Lock detection disabled (LOCK=1)

REGISTER	NAME	Default value	Active	Description
E[9:8]	PACL[1:0]	-		PA "class" 00 = Class A 01 = Class AB 10 = Class B 11 = Class C
E[7:0]	D[7:0]	-		D-counter Frequency separation programming

**Register F**

REGISTER	NAME	Default value	Active	Description
F[12:11]	DCLK[1:0]	-		Demodulator shift register clock selection 00 = External clock (25MHz) at TX_DATA. 01 = 12.8 MHz from crystal oscillator 10 = 25 MHz from prescaler 11 = 12.5MHz from prescaler
F[10:9]	DEMIF[1:0]	-		Demodulator phase shift / IF control 00 = 60kHz IF 01 = 200kHz IF 10 = 455kHz IF 11 = Test modes using DCLK1:DCLK0
F[8:6]	TDEM[2:0]	000		Test modes for demodulator. Output is monitored at LOCK pin. See also S2:S0 in frame A. TDEM2=0: As described for S2:S0 in frame A TDEM2=1 : Demodulator test modes. <u>Modus (000):</u> Normal setting. <u>Modus (0XX):</u> Test as for S2:S0 in frame A monitored at LOCK pin. <u>Modus (100):</u> Demodulator input monitored at LOCK pin. <u>Modus (101):</u> Phase shifted signal monitored at LOCK pin. <u>Modus (110):</u> Phase detector output monitored at LOCK pin. <u>Modus (111):</u> Demodulator output at LOCK pin. IF input at TX_DATA.
F[5:3]	PAIMP[2:0]	-		PA capacitor array. Array is active in RX or TX depending on INVARRAY. 000 = 0pF 001 = 0.75pF 010 = 1.5pF 011 = 2.25pF 100 = 3pF 101 = 3.75pF 110 = 4.5pF 111 = 5.25pF
F[2]	INVARRAY	-		PA capacitor array activation. 0 = Capacitor array active in RX mode 1 = Capacitor array active in TX mode
F[1:0]	PAEC[1:0]	-		PA buffer amplifier drive level 00 = 3mA 01 = 5mA 10 = 8mA 11 = 11mA

**Register G**

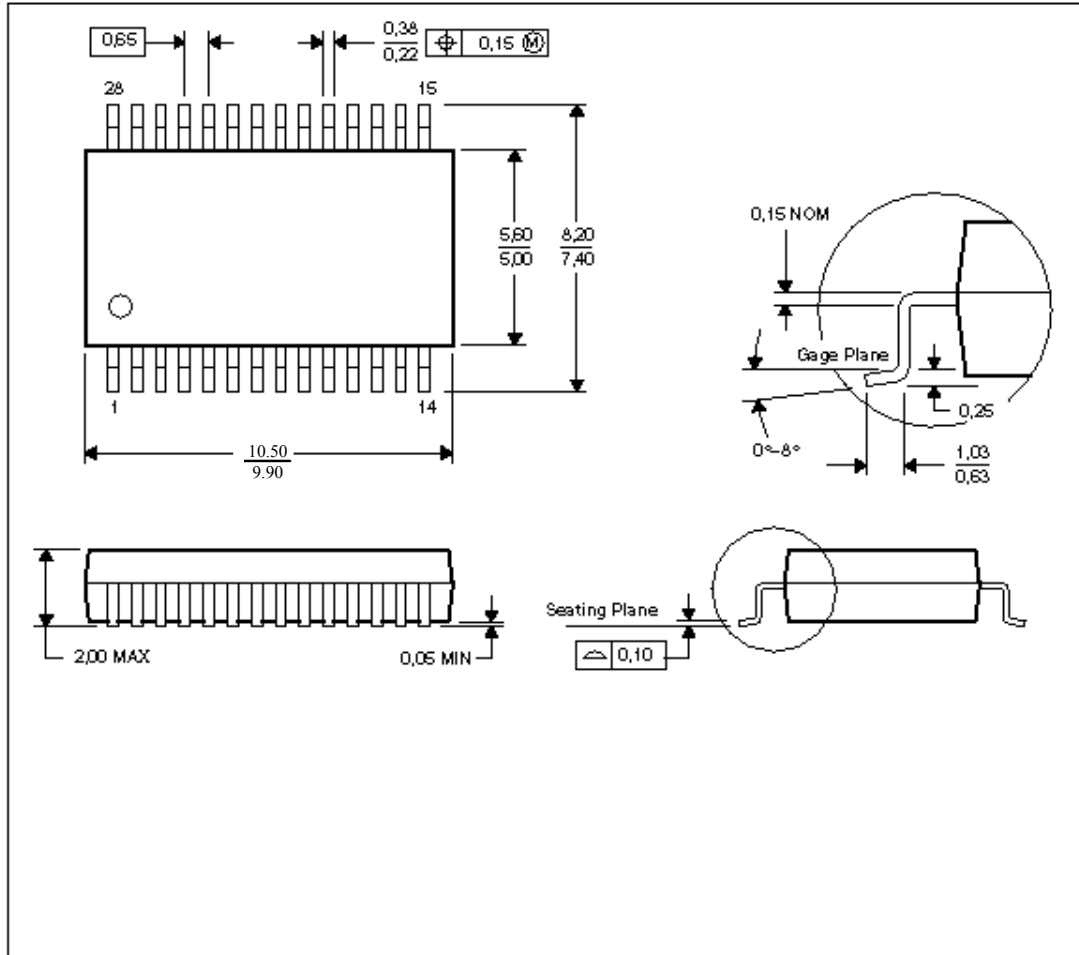
REGISTER	NAME	Default value	Active	Description
G[12:11]	IFQ[1:0]	-		IF filter Q-value 00 = low 01 = 10 = 11 = high
G[10:9]	IFG[1:0]	-		IF amplifier gain 00 = lowest 01 = 10 = 11 = highest
G[8:6]	LPIF[2:0]	-		IF filter low-pass cut-off 000 = lowest 001 = 010 = 011 = 100 = 101 = 110 = 111 = highest
G[5:3]	HPIF[2:0]	-		IF filter high-pass cut-off 000 = lowest 001 = 010 = 011 = 100 = 101 = 110 = 111 = highest
G[2:0]	MIF[2:0]	-		IF mode control, external filter selection 000 = Differential input, 1. Ceramic filter 001 = Single-ended input 1. ceramic filter 010 = Differential input, 1. and 2. ceramic filter (NA) 011 = Single-ended input, 1. and 2. ceramic filter (NA) 100 = Differential input, no ceramic filters 101 = Single-ended input, no ceramic filters 110 = NA 111 = Single-ended input, 1. Ceramic filter

**Register H**

REGISTER	NAME	Default value	Active	Description
H[12:10]	LPDEM[2:0]	-		Demodulator data filter cut-off (low pass) 000 = 5.8kHz 001 = 9.3kHz 010 = 13.9kHz 011 = 19.9kHz 100 = 28.0kHz 101 = 36.2kHz 110 = 64.8kHz 111 = 134.2kHz
H[9]	FASTACIDF	0		Demodulator datafilter AC coupling time constant (Precharge) 0 = Normal/high time constant 1 = Low time constant (precharge)



REGISTER	NAME	Default value	Active	Description
H[8]	TOPFILT	-		Demodulator data filter topology AC coupling by-pass 0 = Two AC couplings 1 = One AC coupling
H[7:6]	HYSTDEM[1:0]	-		Demodulator data slicer comparator hysteresis 00 = 0mV 01 = 15mV 10 = 40mV 11 = 100mV
H[5:4]	HPDEM[1:0]	-		Demodulator data filter high-pass cut-off 00 = 30Hz 01 = 60Hz 10 = 120Hz 11 = 240Hz
H[3]	EXTACDF	0		Demodulator external AC-coupling 0 = Internal 1 = Eksternal (NA)
H[2]	IFSIGEXT	0		IF test mode IF signal input at TX_DATA pin Use LOCK pin as demodulator output 0 = Normal 1 = Test mode
H[1]	QUADSWING	-		Quadrature detector output level 0 = VDD (normal setting) 1 = Reduced amplitude (VDD/2)
H[0]	IFDOFF	0		IF and demodulator Power Down (overridden by global power down). 0 = IF and demodulator active (if PD=0 and RxTx=0). Normal setting. 1 = IF and demodulator power down

**Package Description (SSOP-28)**

**NOTES :**

- A. All linear dimensions are in millimeters.
- B. This drawing is subject to change without notice.
- C. Body dimensions do not include mold flash or protrusion not to exceed 0.1 mm
- D. Falls within JEDEC MO-150

**Soldering Information**

Recommended soldering profile is according to CECC 00 802, Edition 3

**Plastic Tube Specification**

SSOP 5.3mm (.208") antistatic tube.

Tube Specification				
Package	Tube Width	Tube Height	Tube Length	Units per Tube
SSOP 28	10.6	4 mm	20"	47

## Carrier Tape and Reel Specification

Carrier tape and reel is in accordance with EIA Specification 481.

Tape and Reel Specification					
Package	Tape Width	Component Pitch	Hole Pitch	Reel Diameter	Units per Reel
SSOP 28	24 mm	12 mm	4 mm	13"	2000

## Ordering Information

Ordering part number	Description
CC900	Single Chip RF Transceiver
CC900DK	CC900 Development Kit
CC900SK	CC900 Sample Kit (5 pcs)

### Address:

Chipcon AS  
Gaustadalléen 21  
N-0349 Oslo,  
NORWAY

Telephone : (+47) 22 95 85 44  
Fax : (+47) 22 95 85 46  
E-mail : [wireless@chipcon.com](mailto:wireless@chipcon.com) (information about RF-IC products)  
[support@chipcon.com](mailto:support@chipcon.com) (support on our standard products)  
Web site : <http://www.chipcon.com>

## General Information

Chipcon AS believes the furnished information is correct and accurate at the time of this printing. However, Chipcon AS reserves the right to make changes to this product without notice. Chipcon AS does not assume any responsibility for the use of the described product. Please refer to Chipcon's web site for the latest update.

*SmartRF<sup>®</sup>* is a registered trademark of Chipcon AS. SmartRF is Chipcon's RF technology platform with RF library cells, modules and design expertise. Based on SmartRF Chipcon develops standard component RF-circuits as well as full custom ASICs based on customers' requirements.

© 2003 Chipcon AS

## Life Support Policy

This Chipcon product is not designed for use in life support appliances, devices, or systems where malfunction can reasonably be expected to result in a significant personal injury to the user, or as a critical component in any life support device or system whose failure to perform can be reasonably expected to cause the failure of the life support device or system, or to affect its safety or effectiveness. Chipcon AS customers using or selling these products for use in such applications do so at their own risk and agree to fully indemnify Chipcon AS for any damages resulting from such improper use or sale.