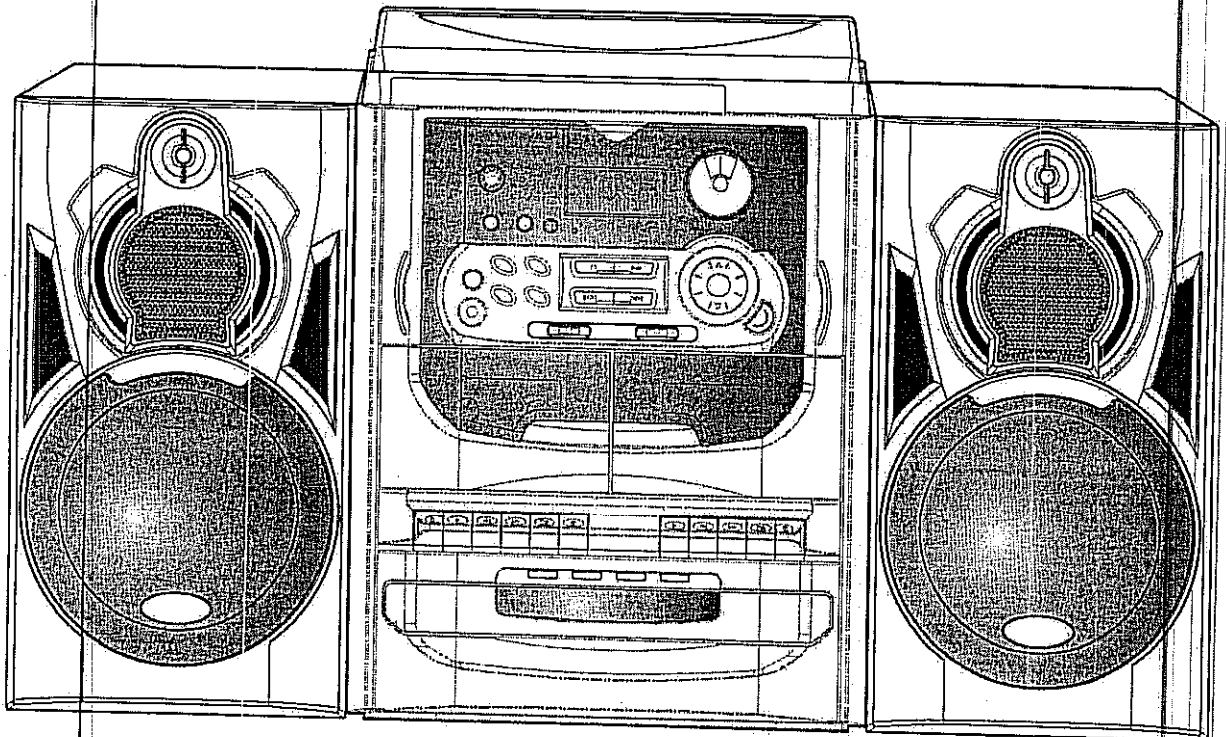


LENOXX

CD-7400

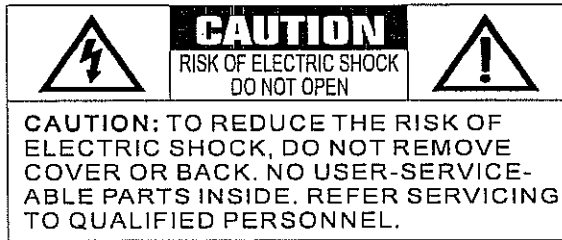
STEREO 3CD MINI HI-FI SYSTEM WITH RADIO AND DOUBLE CASSETTE



INSTRUCTION MANUAL

COMPACT
disc
DIGITAL AUDIO

010101
010101
010101



This symbol is intended to alert you to the presence of un-insulated dangerous voltage within the product's enclosure that might be of sufficient magnitude to constitute a risk of electric shock. Do not open the product's case.



This symbol is intended to inform you that important operating and maintenance instructions are included in the literature accompanying this product.

IMPORTANT SAFETY INSTRUCTIONS

Careful attention is devoted to quality standards in the manufacturing of your CD-7400, and safety is a major factor in its design. However, safety is also your responsibility. This section lists important information that will help you properly use and enjoy your CD-7400 and accessories. Read all the included safety and operating instruction before using your CD-7400 follow them closely, and retain them for future reference.

Heed Warnings:

Follow all warnings on the product and in the operating instructions.

Cleaning:

Unplug this product from the wall outlet before cleaning. Use only a damp cloth for cleaning. Do not use liquid or aerosol cleaners.

Attachments:

Do not use attachments accessories not recommended by the product manufacturer, as they might create a hazard.

Water and Moisture:

Do not use this product near water (for example, near a bathtub, washbowl, kitchen sink, or laundry tub; in a wet basement, or near a swimming pool).

Caution:

Do not place this product on an unstable stand, tripod, bracket, or table. The product may fall, causing serious injury to a child or adult, and serious damage to the product.

Ventilation:

Slots and openings in the cabinet provide ventilation, ensure reliable operation, and protect from overheating. Do not block or cover these opening, and do not place the product on a bed, sofa, rug, or other similar surface. Do not place the product in a built-in installation such as a bookcase or rack unless it provides proper ventilation.

Power Sources:

Operate this product using only the power source indicated on its marking label. If you are not sure of your home's power type, consult your product dealer or local power company.

Power Cord Protection:

Route power cords so they are not likely to be walked on or pinched by items placed on or against them. Pay particular attention to cords at plugs, convenience receptacles, and the point where they exit from the product.

Non-use Periods:

Unplug the product's power cord when you will not use it for extended periods.

Lightning:

For added protection for this product during a lightning storm, or when it is left unattended and unused for long periods, unplug it from the wall outlet. This will prevent damage to the product due to lightning and power surges.

Overloading:

Do not overload wall outlets, extension cords, or integral convenience receptacles, as this can result in a risk of fire or electric shock.

Object and Liquids:

Never push objects of any kind into this product through openings, as they may touch dangerous voltage points or short out parts that could result in a fire or electric shock. Never spill liquid of any kind on the product.

Servicing:

Do not attempt to service this product yourself, as opening or removing covers may expose you to dangerous voltage or other hazards. Refer all servicing to qualified service personnel.

Damage Requiring Service:

Unplug this product from the wall outlet and refer servicing to qualified service personnel under the following conditions:

- When the power cord or plug is damaged.
- If liquid has been spilled on, or objects have fallen into the product.
- If the product has been exposed to rain or water.
- If the product does not operate normally by following the operating instructions, adjust only those controls that are covered by the operating instructions. Improper adjustment of other controls may result in damage and will often require extensive work by a qualified technician to restore the product to normal operation.
- If the product has been dropped or damaged in any way.
- When the product exhibits a distinct change in performance.
- Please refer to the product warranty card (included).

Replacement parts:

When replacement parts are required, be sure the service technician uses replacement parts specified by the manufacturer or having the same characteristics as the original part.

Unauthorized substitutions may result in fire, electric shock, or other hazards.

Safety Check:

Upon completion of service or repairs to this product, ask the service technician to perform safety checks to determine that the product is in proper operating condition.

Heat:

The product should be situated away from heat sources such as radiators, heat registers, stoves, or other products (including amplifiers) that produce heat.

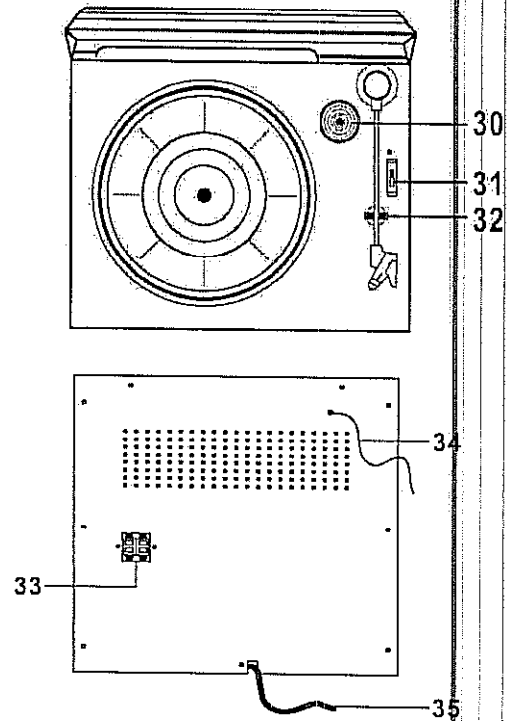
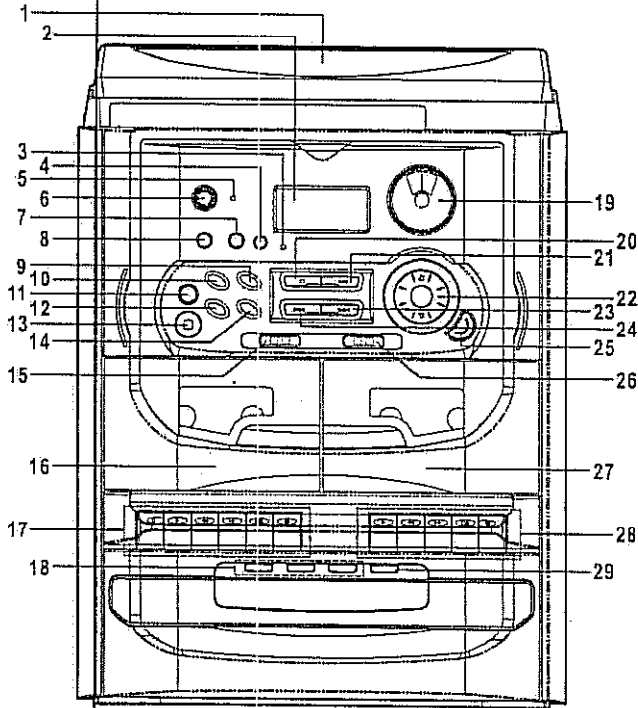
Connection:

Make sure before start connecting the unit to any extras, the power cord must be disconnected from the A/C 240 Volts power outlet. This avoiding; electric shock, or other hazards.

Laser:

Do not open, CD lid or remove the cabinet cover. Expose to laser may cause damage to eyesight.

LOCATION OF CONTROLS



- 1) TURNTABLE DUST COVER
- 2) LCD DISPLAY
- 3) FM STEREO INDICATOR
- 4) REMOTE SENSOR
- 5) STANDBY LED INDICATOR
- 6) POWER BUTTON
- 7) RANDOM BUTTON
- 8) MUTE BUTTON
- 9) REPEAT BUTTON
- 10) MEMORY BUTTON
- 11) DISC CHANGE BUTTON
- 12) CD SEARCH BACKWARD BUTTON
- 13) HEADPHONE JACK
- 14) CD SEARCH FORWARD BUTTON
- 15) FUNCTION SELECTOR
- 16) CASSETTE DECK 1
- 17) DECK 1 CONTROL KEY
- 18) DISC 1-2-3 BUTTON

- RECORD KEY
- ▶ PLAYBACK KEY
- ◀ REWIND KEY
- ▶▶ FAST FORWARD KEY
- ▲ STOP/EJECT KEY
- ▬ PAUSE KEY

- 19) TUNING KNOB
- 20) CD STOP BUTTON
- 21) CD PLAY / PAUSE BUTTON
- 22) VOLUME UP-DOWN BUTTON
- 23) CD SKIP FORWARD BUTTON
- 24) CD SKIP BACKWARD BUTTON
- 25) EXTRA BASS BUTTON
- 26) BAND/FM MODE SWITCH
- 27) CASSETTE DECK 2
- 28) DECK 2 CONTROL KEYS
- 29) CD DOOR OPEN/CLOSE BUTTON
- 30) CENTER SPINDALE ADAPTOR
- 31) 33/45 RPM SPEED SELECTOR
- 32) ARM PICK-UP HOLDER
- 33) SPEAKER TERMINALS

34) FM WIRE ANTENNA

35) AC~240V 50Hz POWER CORD

IMPORTANT:

SINCE MOVEMENT OF THE CD MECHANISM AND THE SENSITIVE CIRCUITY MAY CAUSE INTERFERENCE TO THE RADIO TUNER NEARBY, SWITCH THIS UNIT OFF WHILE OPERATING OTHER RADIO DEVICES.

INSTALLATION:

- UNPACK ALL PARTS AND REMOVE PROTECTIVE MATERIAL.
- DO NOT CONNECT THE UNIT TO THE MAINS BEFORE CHECKING THE MAINS VOLTAGE AND BEFORE ALL OTHER CONNECTIONS HAVE BEEN MADE.
- DO NOT COVER ANY VENTS AND MAKE SURE THAT THERE IS A SPACE OF SEVERAL CENTIMETERS AROUND THE UNIT FOR VENTILATION.

CONNECTION:

1. CONNECT THE SPEAKER COLOUR CODED WIRES TO THE SPEAKER TERMINAL LOCATED AT THE BACK OF THE UNIT.
2. BEFORE CONNECTING THE POWER PLUG. BE SURE THE SWITCH AT THE POWER WALL OUTLET IS IN OFF POSITION.
3. CONNECT THE POWER CORD TO AC~240V 50Hz INTO THE WALL OUTLET.
4. SWITCH BACK ON THE POWER AT THE WALL OUTLET.
5. THE UNIT WILL GO INTO STANDBY MODE.
6. TURN ON THE POWER AND SELECT " CD " FUNCTION. IF THE LCD DISPLAY IS ON WITH BACKLIGHTING, IT'S MEAN THE POWER SUPPLY IS NORMAL. NOW YOUR SYSTEM IS READY TO PLAY THE MUSIC.

LISTENING TO RADIO

OPERATION:

1. SET THE FUNCTION SELECTOR TO " RADIO " POSITION.
2. SELECT THE DESIRED RADIO FREQUENCY BAND FROM BAND SELECTOR.
3. TURN THE TUNING CONTROL, TO SET THE DESIRED RADIO STATION.
4. ADJUST VOLUME CONTROLS FOR THE DESIRED VOLUME LEVEL.

FM & FM-STEREO RECEPTION

- SET THE FM MODE SELECTOR AT " FM " POSITION. PROGRAMS ARE RECEIVED IN MONO MODE. IN PARTICULAR WHEN STEREO SIGNALS ARE WEAK. IT IS PREFERABLE TO RECEIVE THE PROGRAM IN MONO.
- SET THE FM MODE SELECTOR AT " FM-ST " POSITION FOR RECEIVING STEREO PROGRAMS. THE STEREO LED INDICATOR WILL LIGHT UP TO SHOW FM STEREO PROGRAM IS RECEIVING.

HINTS FOR BEST RECEPTION:

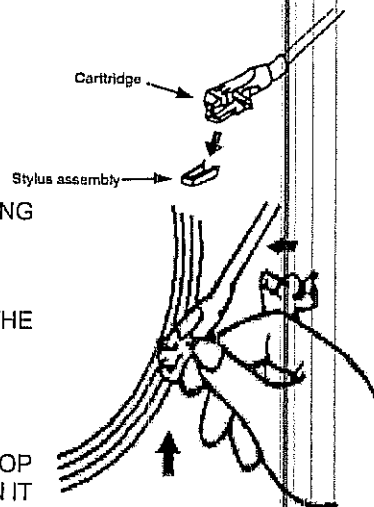
AM: THE RECEIVER HAS A BUILT-IN ANTENNA. IF THE AM RECEPTION IS WEAK, SLIGHTLY ROTATE OR RE-POSITIONING THE UNIT, FOR BETTER AM RECEPTION.

FM: THE RECEIVER HAS A FM WIRE ANTENNA, HANGING AT THE REAR CABINET. THIS WIRE SHOULD BE TOTALLY UNRAVELED AND EXTENDED FOR BEST RECEPTION.

PHONO:

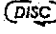
- REMOVE THE STYLUS PROTECTOR.
- BE SURE THAT THE TONE ARM IS BEING DETACHED FROM THE TONE ARM REST BEFORE OPERATING, AND RE-SECURED AGAIN AFTERWARDS.

1. PRESS THE " PHONO " FUNCTION SWITCH.
2. SET THE SPEED SELECTOR TO THE PROPER POSITION DEPENDING ON THE RECORD TO BE PLAYED.
3. PLACE THE RECORD ON THE PLATTER (USE THE SPINDLE ADAPTOR IF REQUIRED).
4. LIFT THE TONE ARM FROM THE REST AND SLOWLY MOVE IT TO THE RECORD SIDE. THE PLATTER WILL BEGIN TO ROTATE.
5. PLACE THE TONE ARM TO THE DESIRED POSITION OF THE RECORD.
6. ADJUST THE VOLUME TO THE DESIRED LEVEL.
7. AT THE END OF RECORD, THE PLATTER WILL AUTOMATICALLY STOP ROTATING. LIFT THE TONE ARM FROM THE RECORD AND RETURN IT TO THE REST.
8. TO STOP MANUALLY, LIFT THE TONE ARM FROM THE RECORD AND RETURN IT TO THE REST.



PLAYING COMPACT DISC:

GETTING START

1. SELECT "CD" FUNCTION.
2. PRESS "OPEN/CLOSE" BUTTON TO OPEN THE CD DOOR.
3. PLACE A CD WITH THE PRINTED SIDE FACING UP INSIDE THE TRAY.
4. PRESS THE "  " OR " DISC-CH " BUTTON TO TURNING THE CD TRAY, AND LOADING OUT THE OTHER DISC COMPARTMENT.
5. PRESS THE "OPEN/CLOSE" BUTTON TO CLOSE THE CD DOOR.
6. CD SEARCH IS PERFORMING, AND THE 1ST DETECTED DISC WILL BE STARTED PLAYBACK AUTOMATICALLY.

NOTE: CD SEARCHING WILL BE PERFORMED EVERY TIME WHEN SWITCHING TO CD MODE OR CLOSING THE CD DOOR.

PLAY / PAUSE MODE ►||

1. PRESS THE "PLAY/PAUSE" BUTTON TO START PLAYBACK, THE FIRST TRACK OF THE FIRST DISC WILL BE PLAYED AND THE PLAY INDICATOR WILL APPEAR ON THE LCD DISPLAY.
2. OR PRESS EITHER THE " DISC 1 ", " DISC 2 ", " DISC 3 " BUTTON, UNIT WILL PLAY THE DISC INSIDE THE DESIRE TRAY DIRECTLY.
3. TO INTERRUPT, PRESS THE "PLAY/PAUSE" BUTTON ONCE, AND THE DISPLAY WILL START FLASHING. PRESS AGAIN TO RELEASE & RESUME PLAYBACK.

STOP MODE ■

1. IF "STOP" BUTTON IS PRESSED DURING PLAY OR PAUSE MODE, SYSTEM WILL GO TO STOP MODE.

SKIP MODE (SKIP UP ►►)/SKIP DOWN ◀◀

1. DURING PLAY OR PAUSE MODE, IF " SKIP + " BUTTON IS PRESSED IT WILL GO TO NEXT TRACK AND DISPLAY THE TRACK NO. AND THEN REMAIN THE PLAY OR PAUSE MODE.
2. DURING PLAY OR PAUSE MODE, IF " SKIP - " BUTTON IS PRESSED. IT WILL GO BACK TO THE PREVIOUS TRACK AND REMAIN THE PLAY OR PAUSE MODE.

SEARCH MODE (SEARCH UP ►► SEARCH DOWN ◀◀)

1. DURING PLAY MODE, IF " SEARCH + " BUTTON IS PRESSED & HOLD FOR FEW SECONDS, IT WILL START SEARCHING FORWARD.
2. DURING PLAY MODE, IF " SEARCH - " BUTTON IS PRESSED & HOLD FOR FEW SECONDS. IT WILL STAR SEARCHING BACKWARDS.

NOTE: UNIT WILL GO TO MUTE MODE DURING SEARCHING

REPEAT PLAY

THIS FUNCTION ALLOW TO REPEAT 1 SINGLE TRACK, 1 SINGLE DISC OR ALL DISCS
PRESS THE " REPEAT " KEYS REPEATEDLY TO SWITCH THE FUNCTION

REP. ONE TRACK → REP. 1 DISC → REP. ALL DISCS → REP. OFF



NOTE: SINGLE TRACK REPEAT FUNCTION IS POSSIBLE IN NORMAL OR PROGRAMMED PLAYBACK, REPEAT ONE DISC OR ALL DISCS IS ONLY AVAILABLE IN NORMAL PLAYBACK.


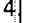

RANDOM PLAY

YOU CAN LISTEN ALL THE TACKS OF ONE SINGLE DISC IN A RANDOM ORDER BY THIS FUNCTION

1. PRESS "RANDOM" BUTTON ONCE DURING CD STOP/PLAYBACK MODE, UNIT WILL PLAY THE 1ST AVAILBLE DISC IN RANDOM ORDER, AND THE " RANDOM " SIGN APPEAR ON THE LCD DISPLAY.
2. PRESS " STOP " BUTTON TO CANCEL THE RANDOM MODE.

CD PROGRAMMING (BY REMOTE CONTROL)

UP TO 32 TRACKS CAN BE PROGRAMMED, CAN BE PLAYED IN ANY REQUIRED ORDER FROM ONE CD OR ALL CDs IN THE CD CHANGER.

1. SET IN CD MODE.
 2. PRESS THE MEMORY BUTTON
 3. PRESS THE "  " TO SELECT THE DESIRED DISC.
 4. PRESS SKIP  OR  BUTTON TO SELECT THE DESIRED TRACK.
 5. PRESS THE " MEMORY " BUTTON AGAIN TO STORE THE TRACK IN MEMORY.
 6. REPEAT STEPS 3 TO 5 TO ENTER ADDITIONAL PROGRAM
 7. PRESS PLAY/PAUSE BUTTON TO START PLAYBACK IN ORDER.
 8. PRESS "STOP" BUTTON TO STOP PLAYBACK AND PRESS AGAIN TO CLEAR ALL PROGRAMMED TRACKS.
-
-

TAPE DECK:

GENERAL OPERATION

STOP / EJECT KEY

- PRESS TO STOP ALL DECK OPERATION. PRESS AGAIN TO OPEN THE CASSETTE DOOR.

FAST FORWARD

- PRESS TO START, FAST FORWARD WINDING THE TAPE.

FAST REWIND

- PRESS TO START, FAST REWIND WINDING THE TAPE.

PLAY

- PRESS TO START PLAYING TAPE.

PAUSE

- PRESS TO STOP TAPE OPERATION TEMPORARILY. PRESS AGAIN TO RESUME PLAY.

RECORD

- PRESS TOGETHER WITH PLAY KEY TO START TAPE RECORDING. (TAPE DECK 1 ONLY)

PLAYBACK

- SELECT "TAPE" FUNCTION
- PUT IN THE CASSETTE TAPE.
- PRESS PLAY KEY TO ACTIVE PLAYBACK
- ADJUST THE VOLUME CONTROL TO THE DESIRED LEVEL.
- USE PAUSE KEY WHEN YOU WANT TO STOP PLAYBACK TEMPORARILY.
- PRESS STOP / EJECT KEY WHEN FINISHED.

RECORDING

A. RECORDING FROM TAPE (DECK 2 TO DECK 1)

THIS UNIT ENABLES YOU TO DUPLICATE A PRE-RECORDED TAPE TO ANOTHER TAPE. IT IS PERFORMED ONLY ONE WAY FROM DECK 2 (PLAYBACK) TO DECK 1 (RECORDING).

DUBBING AT NORMAL SPEED

- SELECT "TAPE" FUNCTION.
- INSERT A PRE-RECORDED CASSETTE INTO DECK 2 AND A BLANK CASSETTE TAPE INTO DECK 1.
- PRESS THE "PAUSE" KEY AND THEN PRESS THE "RECORD" AND "PLAY" KEY AT DECK 1.
- PRESS THE "PLAY" KEY TO START PLAYBACK AT DECK 2 & THEN PRESS "PAUSE" KEY AT DECK 1 TO START DUBBING.
- PRESS "PAUSE" KEY AT DECK 1 & "STOP" KEY AT DECK 2 WHEN FINISH.

DUBBING AT HIGH SPEED

THIS UNIT IS EQUIPPED WITH A HIGH SPEED DUBBING SYSTEM WHICH CAN SAVE THE TIME FOR DUBBING BY 2/3 WHEN COMPARE TO NORMAL SPEED.

- PRESS THE DUBBING BUTTON TO "HI" POSITION AND THEN FOLLOW THE SAME PROCEDURES AS STIPULATED IN "DUBBING AT NORMAL SPEED".
- WHEN DUBBING A PRE-RECORDED CASSETTE TAPE AT HIGH SPEED, A CHATTERING SOUND IS BEING HEARD. TO AVOID THIS, SET THE VOLUME CONTROL TO A MINIMUM LEVEL.
- DO NOT ACTIVE/DE-ACTIVE THE "HI-NOR. DUBBING" BUTTON DURING DUBBING, THIS WILL VARY THE SPEED OF RECORDING AND MAY BE DAMAGE THE CASSETTE TAPE.

B. RECORDING FROM RADIO

- SELECT "RADIO" FUNCTION
- TUNE TO THE DESIRED STATION AND INSERT A BLANK CASSETTE TAPE IN DECK 1.
- PRESS "RECORD" & "PLAY" KEY TO START RECORDING.
- PRESS "PAUSE" KEYS AND THEN "STOP/EJECT" KEY WHEN FINISH.

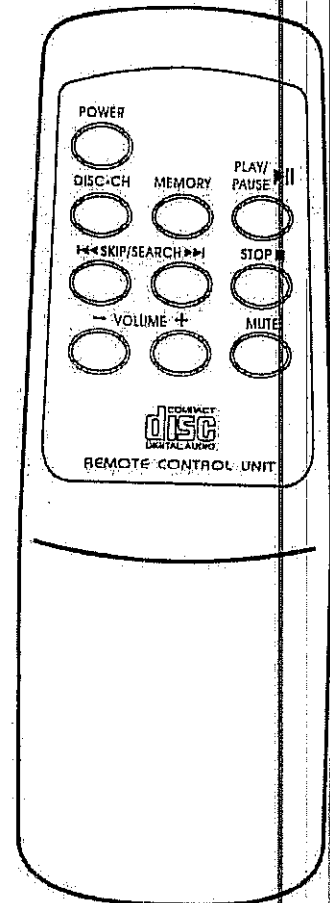
C. RECORDING FROM CD

- SELECT "CD" FUNCTION.
- INSERT A BLANK CASSETTE TAPE IN DECK 1 WHICH SUITABLE FOR RECORDING.
- PRESS "PAUSE" KEY FIRST AND THEN "RECORD" & "PLAY" KEY AT CASSETTE. RECORDING FUNCTION IS NOW STAND BY.
- ACTIVATE THE CD PLAYER, AND THEN PRESS "PAUSE KEY" AT CASSETTE TO START RECORDING.
- TO STOP RECORDING, PRESS "STOP" BUTTON ON CD PLAYER FIRST, THEN PRESSES THE "PAUSE" KEY AND THEN "STOP/EJECT" KEY ON CASSETTE TAPE DECK.

REMOTE CONTROL TRANSMITTER

CONTROL FUNCTIONS

1. **POWER BUTTON**
PRESS TO SWITCHING ON/STANDBY THE SYSTEM
2. **DISC-CH**
PRESS TO ROTATE THE DISC TRAY IN CLOCKWISE
3. **MEMORY BUTTON**
TO ACTIVE " MEMORY " MODE FOR CD PROGRAMMING
4. **PLAY▶/PAUSE||** BUTTON
TO START PLAYING THE DISC AND INTERRUPT THE DISC PLAY AS DESIRED
5. **SKIP ◀◀ SEARCH ◀◀ BACKWARD** BUTTON
PRESS TO SKIP/SEARCH DOWN OF CD DURING PLAYBACK
6. **SKIP ▶▶ SEARCH ▶▶ FORWARD** BUTTON
PRESS TO SKIP/SEARCH UP OF CD DURING PLAYBACK
7. **STOP** BUTTON
PRESS TO STOP THE PAYBACK OF CD OR CANCEL THE MEMORY/RANDIOM FUNCTION AT CD MODE
8. **VOL +/-** BUTTON
TO CONTROL THE VOLUME AT CD/VCD MODE
9. **MUTE**
PRESS TO ACTIVE MUTE FUNCTION



BATTERY INSTALLATION: (Battery not Supplied)

INSERT BATTERIES INTO THE REMOTE CONTROL BATTERY COMPARTMENT FOLLOWING THE POLARITY (+ -) INDICATED. THE REMOTE CONTROL REQUIRE 2 X 1,5 " AAA " BATTERY FOR OPERATION (WE RECOMMEND TO USE A GOOD BRAND ALKALINE BATTERIES)

FOR ADDITIONAL SET-UP OR OPERATING ASSISTANCE, PLEASE VISIT OUR WEBSITE: www.lenoxxelectronics.com (Click on Products, Select Item, Select Category, Click on Product, Click on Technical Information to Download).

OR CONTACT CUSTOMER SERVICE, (AUSTRALIA ONLY)
TOLL FREE PHONE NUMBER: 1300-666-848

FOR PARTS AND ACCESSORIES: (AUSTRALIA ONLY)

LENOXX ELECTRONICS

PHONE: (03) 9267 2150

FAX: (03) 9267 2185