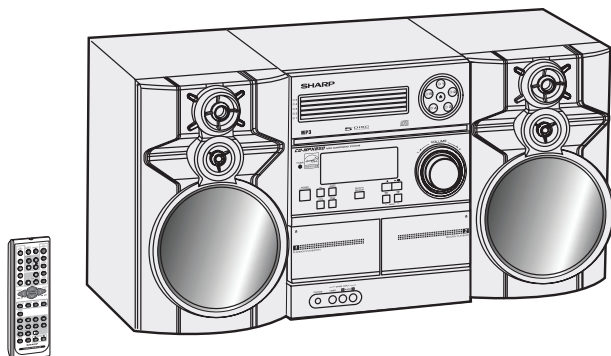


SHARP



MINI COMPONENT SYSTEM

MODEL CD-MPX850

CD-MPX850 Mini Component System consisting of CD-MPX850 (main unit) and CP-MPX850 (speaker system).

• In the interests of user-safety the set should be restored to its original condition and only parts identical to those specified be used.

COMPACT
disc
DIGITAL AUDIO

MP3 with
NAVIGATION



CD-R/RW
Playable 

5-DISC
CHANGER

PARTS LIST AND DIAGRAM VIEW

SHARP PARTS GUIDE


MINI COMPONENT SYSTEM

MODEL CD-MPX850

CD-MPX850 Mini Component System consisting of CD-MPX850 (main unit) and CP-MPX850 (speaker system).

CONTENTS

- | | |
|--------------------------|--|
| [1] INTEGRATED CIRCUITS | [9] OTHER CIRCUITRY PARTS |
| [2] TRANSISTORS | [10] CHANGER MECHANISM /
CD MECHANISM PARTS |
| [3] DIODES | [11] CABINET PARTS |
| [4] VIBRATORS / CRYSTALS | [12] SPEAKER BOX PARTS |
| [5] TRANSFORMERS | [13] ACCESSORIES / PACKING
PARTS |
| [6] COILS | [14] P.W.B. ASSEMBLY
(Not Replacement Item) |
| [7] CAPACITORS | [15] OTHER SERVICE PARTS |
| [8] RESISTORS | |

Parts marked with "  " are important for maintaining the safety of the set. Be sure to replace these parts with specified ones for maintaining the safety and performance of the set.

CD-MPX850

NO.	PARTS CODE	PRICE RANK	NEW MARK	PART RANK	DESCRIPTION
[1] INTEGRATED CIRCUITS					
IC1	VHILC78690E-1	BE			CD Servo,LC78690
IC2	VHILA6261//-1	AN			Focus/Tracking/Spin/Sled Driver, LA6261
IC101	VHIAN7345K/-1	AM			Playback and Record / Playback Amp.,AN7345K
IC503	VHIAZ4558CME1	AD			Op Amp Z4558CME
IC601	VHILC75341/-1	AM			Audio Processor,LC75341
IC701	RH-IXA140AW00	BM			System Microcomputer, IXA140AW
IC851	VHIAN80T53/-1	AL			Multi Regulator,AN80T53
IC854	VHIIKIA78L05-1	AE			Constant Voltage Regulator,KIA78L05
IC901	VHISTK41241-1	BA			Power Amplifier, STK412410
[2] TRANSISTORS					
Q1	VSKTA1504Y/-1	AB			Silicon,PNP,KTA1504 Y
Q2	VSKTA1271Y/-1	AC			Silicon,PNP,KTA1271 Y
Q3	VSKTC3875GR-1	AB			Silicon,NPN,KTC3875 GR
Q4	VSKRC104S//-1	AC			Digital,NPN,KRC104 S
Q101	VSKTC3200GR-1	AB			Silicon,NPN,KTC3200 GR
Q102	VSKTC3200GR-1	AB			Silicon,NPN,KTC3200 GR
Q103	VSKTC3200GR-1	AB			Silicon,NPN,KTC3200 GR
Q104	VSKTC3200GR-1	AB			Silicon,NPN,KTC3200 GR
Q105	VSKTC3875GR-1	AB			Silicon,NPN,KTC3875 GR
Q106	VSKTC3875GR-1	AB			Silicon,NPN,KTC3875 GR
Q107	VSKTC3875GR-1	AB			Silicon,NPN,KTC3875 GR
Q108	VSKTC3875GR-1	AB			Silicon,NPN,KTC3875 GR
Q109	VSKTA1504Y/-1	AB			Silicon,PNP,KTA1504 Y
Q110	VSKRC104S//-1	AC			Digital,NPN,KRC104 S
Q111	VSKTC3203Y/-1	AE			Silicon,NPN,KTC3203 Y
Q112	VSKTA1504Y/-1	AB			Silicon,PNP,KTA1504 Y
Q113	VSKRC104S//-1	AC			Digital,NPN,KRC104 S
Q114	VSKRC104S//-1	AC			Digital,NPN,KRC104 S
Q603	VSKTC3875GR-1	AB			Silicon,NPN,KTC3875 GR
Q604	VSKTC3875GR-1	AB			Silicon,NPN,KTC3875 GR
Q665	VSKRA107S//-1	AB			Digital,PNP,KRA107 S
Q666	VSKTC3875GR-1	AB			Silicon,NPN,KTC3875 GR
Q667	VSKTA1504GR-1	AB			Silicon,PNP,KTA1504 GR
Q668	VSKTC3875GR-1	AB			Silicon,NPN,KTC3875 GR
Q702	VSKRC102S//-1	AB			Digital,NPN,KRC102 S
Q703	VSKRA107S//-1	AB			Digital,PNP,KRA107 S
Q704	VSKRC104S//-1	AC			Digital,NPN,KRC104 S
Q705	VSKRA107S//-1	AB			Digital,PNP,KRA107 S
Q706	VSKRC104S//-1	AC			Digital,NPN,KRC104 S
Q707	VSKRA107S//-1	AB			Digital,PNP,KRA107 S
Q708	VSKRC104S//-1	AC			Digital,NPN,KRC104 S
Q709	VSKTA1273Y/-1	AE			Silicon,PNP,KTA1273 Y
Q710	VSKTA1273Y/-1	AE			Silicon,PNP,KTA1273 Y
Q711	VSKTA1273Y/-1	AE			Silicon,PNP,KTA1273 Y
Q712	VSKRC102S//-1	AB			Digital,NPN,KRC102 S
Q713	VSKRC104S//-1	AC			Digital,NPN,KRC104 S
Q801	VSKTA1274Y/-1	AE			Silicon,PNP,KTA1274 Y
Q841	VSKTC3199GR-1	AB			Silicon,NPN,KTC3199 GR
Q885	VSKTC3875GR-1	AB			Silicon,NPN,KTC3875 GR
Q886	VSKTC3875GR-1	AB			Silicon,NPN,KTC3875 GR
Q901	VSKTC3875GR-1	AB			Silicon,NPN,KTC3875 GR
Q902	VSKTC3875GR-1	AB			Silicon,NPN,KTC3875 GR
Q903	VSKTC3875GR-1	AB			Silicon,NPN,KTC3875 GR
Q904	VSKTC3875GR-1	AB			Silicon,NPN,KTC3875 GR
Q905	VSKTC3199GR-1	AB			Silicon,NPN,KTC3199 GR
Q906	VSKTC3203Y/-1	AE			Silicon,NPN,KTC3203 Y
Q908	VSKTC3875GR-1	AB			Silicon,NPN,KTC3875 GR
Q909	VSKTC3875GR-1	AB			Silicon,NPN,KTC3875 GR
QS01	VSKTC3875GR-1	AB			Silicon,NPN,KTC3875 GR
QS03	VSKTC3205Y/-1	AD			Silicon,NPN,KTC3205 Y
QS05	VSKRC104S//-1	AC			Digital,NPN,KRC104 S
QS11	VSKTC3199GR-1	AB			Silicon,NPN,KTC3199 GR
QS15	VSKRC104S//-1	AC			Digital,NPN,KRC104 S
[3] DIODES					
D1	VHDKDS184//-1	AB			Silicon,KDS184
D601	VHDMA1111//-1	AC			Silicon,MA111
D622	VHDGD1A4+++1	AB			Silicon, GD1A4
D690	VHDHSS4148+1	AA			Silicon,DHSS4148
D691	VHDHSS4148+1	AA			Silicon,DHSS4148
D702	VHDHSS4148+1	AA			Silicon,DHSS4148
D703	VHDHSS4148+1	AA			Silicon,DHSS4148
D704	VHDHSS4148+1	AA			Silicon,DHSS4148
D706	VHDHSS4148+1	AA			Silicon,DHSS4148
D707	VHDMA1111//-1	AC			Silicon,MA111
D708	VHDMA1111//-1	AC			Silicon,MA111
D709	VHDHSS4148+1	AA			Silicon,DHSS4148
D710	VHDHSS4148+1	AA			Silicon,DHSS4148
D711	VHDHSS4148+1	AA			Silicon,DHSS4148
D712	VHDHSS4148+1	AA			Silicon,DHSS4148
D713	VHDHSS4148+1	AA			Silicon,DHSS4148
D752	VHDIN4148H/-1	AA			Silicon,IN4148H (Use in LED PWB-D) Use 2 pcs
D801	VHDTTS10B05G-1	AH			Silicon,TS10B05GM
D802	VHDTTS10B05G-1	AH			Silicon,TS10B05GM
D803	VHDRL204F/-1	AC			Silicon,DRL204F
D804	VHDRL204F/-1	AC			Silicon,DRL204F
D805	VHDIN4004S/-1	AB			Silicon,IN4004S

NO.	PARTS CODE	PRICE RANK	NEW MARK	PART RANK	DESCRIPTION
[3] DIODES					
D806	VHD1N4004S/-1	AB			Silicon,IN4004S
D842	VHD1N4004S/-1	AB			Silicon,IN4004S
D843	VHD1N4004S/-1	AB			Silicon,IN4004S
D844	VHD1N4004S/-1	AB			Silicon,IN4004S
D845	VHD1N4004S/-1	AB			Silicon,IN4004S
D846	VHD1N4004S/-1	AB			Silicon,IN4004S
D853	VHD1N4004S/-1	AB			Silicon,IN4004S
D856	VHDHSS4148+-1	AA			Silicon,DHSS4148
D860	VHDHSS4148+-1	AA			Silicon,DHSS4148
D861	VHDHSS4148+-1	AA			Silicon,DHSS4148
D862	VHDHSS4148+-1	AA			Silicon,DHSS4148
D863	VHDHSS4148+-1	AA			Silicon,DHSS4148
D885	VHDHSS4148+-1	AA			Silicon,DHSS4148
D905	VHDHSS4148+-1	AA			Silicon,DHSS4148
D906	VHDHSS4148+-1	AA			Silicon,DHSS4148
D907	VHDHSS4148+-1	AA			Silicon,DHSS4148
D909	VHD1N4004S/-1	AB			Silicon,IN4004S
D910	VHDDS1N404S-1	AB			Silicon,DS1N404S
D911	VHDHSS4148+-1	AA			Silicon,DHSS4148
D912	VHDHSS4148+-1	AA			Silicon,DHSS4148
D913	VHDHSS4148+-1	AA			Silicon,DHSS4148
D914	VHDHSS4148+-1	AA			Silicon,DHSS4148
DS01	VHDHSS4148+-1	AA			Silicon,DHSS4148
DS03	VHDM A111///-1	AC			Silicon,MA111
DS05	VHDM A111///-1	AC			Silicon,MA111
DS09	VHDHSS4148+-1	AA			Silicon,DHSS4148
LED701	VHP503BC2E30Z	AG			LED,Blue,5mm,503BC2E30
LED702	VHPA343BD2S2Z	AG			LED,Blue A343BD2S2Z (LED PWB-D) use 2 pcs
LED702	VHPSLR342VCB1	AC			LED,Red,SLR342VCB (DISPLAY PWB-B1)
ZD801	RH-EX0617GEZZY	AB			Zener,6.2V
ZD802	RH-EX0624GEZZY	AB			Zener,7.5V
ZD803	RH-EX0671GEZZY	AB			Zener,30V
ZD805	RH-EX0640GEZZY	AB			Zener,12V
ZD902	RH-EX0640GEZZY	AB			Zener,12V
ZD903	RH-EX0640GEZZY	AB			Zener,12V
[4] VIBRATORS/CRYSTALS					
XL1	RCRM-0047AWZZ	AE			Ceramic
XL701	RCRSP0029AWZZ	AF			Crystal
[5] TRANSFORMERS					
PT801	RTRNPA015AWZZ	BE			Power (Main)
PT841	RTRNP0483AWZZ	AL			Power (Sub)
[6] COILS					
FB1	RBLN-0061TAZZ	AB			Ferrite Beads,BLM18AG121SN1D
FB2	RBLN-0061TAZZ	AB			Ferrite Beads,BLM18AG121SN1D
L103	VP-MK331K0000	AB			330 μ H,Choke
L701	VP-DH101K0000	AB			100 μ H,Choke
L901	RCILZ0024AWZZ	AC			3 μ H,Choke
L902	RCILZ0024AWZZ	AC			3 μ H,Choke
L920	RCILZA017AWZZ	AB			0.29 μ H
L921	RCILZA017AWZZ	AB			0.29 μ H
[7] CAPACITORS					
C1	VCEAZA1AW107M	AB			100 μ F,10V,Electrolytic
C2	VCKYCY1HB102K	AA			0.001 μ F,50V
C3	VCEAZA1AW107M	AB			100 μ F,10V,Electrolytic
C4	VCKYPA1HB103K	AA			0.01 μ F,50V
C5	VCEAZA1EW476M	AB			47 μ F,25V,Electrolytic
C6	RC-EZ0004AWZZ	AD			3.3 μ F,16V,Electrolytic
C7	VCKYPA1HB102K	AA			0.001 μ F,50V
C8	VCEAZA1AW476M	AB			47 μ F,10V,Electrolytic
C9	VCKYCY1HB103K	AA			0.01 μ F,50V
C10	VCEAZA0JW108M	AC			1000 μ F,6.3V,Electrolytic
C11	VCEAZA1AW107M	AB			100 μ F,10V,Electrolytic
C12	VCKYCY1HB472K	AA			0.0047 μ F,50V
C13	VCKYCY1HB103K	AA			0.01 μ F,50V
C14	VCKYCY1EF473Z	AB			0.047 μ F,25V
C15	VCKYCY1CB563K	AA			0.056 μ F,16V
C16	VCKYCY1HB103K	AA			0.01 μ F,50V
C17	VCKYCY1CB563K	AA			0.056 μ F,16V
C18	VCKYCY1HB103K	AA			0.01 μ F,50V
C19	VCKYCY1CB104K	AA			0.1 μ F,16V
C20	VCEAZA1AW107M	AB			100 μ F,10V,Electrolytic
C21	VCKYCY1CB104K	AA			0.1 μ F,16V
C22	VCEAZA1AW477M	AB			470 μ F,10V,Electrolytic
C23	VCKYCY1CB104K	AA			0.1 μ F,16V
C24	VCKYCY1CB104K	AA			0.1 μ F,16V
C25	VCEAZA1HW224M	AB			0.22 μ F,50V,Electrolytic
C26	VCKYCY1EF473Z	AB			0.047 μ F,25V
C27	VCEAZA1AW107M	AB			100 μ F,10V,Electrolytic
C28	VCKYCY1CB104K	AA			0.1 μ F,16V
C29	VCEAZA1AW107M	AB			100 μ F,10V,Electrolytic
C30	VCKYCY1CB104K	AA			0.1 μ F,16V
C31	VCKYCY1CB104K	AA			0.1 μ F,16V
C32	VCKYCY1CB104K	AA			0.1 μ F,16V

NO.	PARTS CODE	PRICE RANK	NEW MARK	PART RANK	DESCRIPTION
[7] CAPACITORS					
C33	VCKYCY1CB104K	AA			0.1μF,16V
C34	VCKYCY1CB104K	AA			0.1μF,16V
C35	VCEAZA1HW105M	AB			1μF,50V,Electrolytic
C36	VCEAZA1AW107M	AB			100μF,10V,Electrolytic
C37	VCKYCY1CB104K	AA			0.1 μ F,16V
C40	VCKYCY1CB104K	AA			0.1μF,16V
C41	VCEAZA1HW106M	AB			10μF,50V,Electrolytic
C42	VCEAZA1HW106M	AB			10μF,50V,Electrolytic
C43	VCKYPA1HB152K	AA			0.0015μF,50V
C44	VCKYPA1HB152K	AA			0.0015μF,50V
C45	VCKYCY1CB104K	AA			0.1μF,16V
C46	VCEAZA1AW477M	AB			470μF,10V,Electrolytic
C47	VCKYCY1EF473Z	AB			0.047μF,25V
C48	VCKYCY1HB103K	AA			0.01μF,50V
C49	VCKYCY1EF223Z	AB			0.022μF,25V
C50	VCCCCY1HH101J	AA			100p F (CH), 50V
C51	VCCCCY1HH101J	AA			100p F (CH), 50V
C52	VCCCCY1HH101J	AA			100p F (CH), 50V
C53	VCCCCY1HH101J	AA			100p F (CH), 50V
C54	VCKYCY1EF223Z	AB			0.022μF,25V
C55	VCCCCY1HH101J	AA			100p F (CH), 50V
C56	VCCCCY1HH101J	AA			100p F (CH), 50V
C57	VCEAZA1AW107M	AB			100μF,10V,Electrolytic
C58	VCKYBT1HB103K	AA			0.01μF,50V
C59	VCKYCY1HB822K	AA			0.0082μF,50V
C101	VCKYCY1HB561K	AA			560 p F,50V
C102	VCKYCY1HB561K	AA			560 p F,50V
C103	VCKYBT1HB181K	AA			180 p F,50V
C104	VCCCCY1HH181J	AA			180 p F (CH),50V
C105	VCKYCY1HB561K	AA			560 p F,50V
C106	VCKYCY1HB561K	AA			560 p F,50V
C107	VCKYCY1HB331K	AA			330 p F,50V
C108	VCKYCY1HB331K	AA			330 p F,50V
C109	VCKYCY1HB331K	AA			330 p F,50V
C110	VCKYCY1HB331K	AA			330 p F,50V
C111	VCEAZA1EW476M	AB			47 μ F,25V,Electrolytic
C112	VCEAZA1EW476M	AB			47 μ F,25V,Electrolytic
C113	VCQYKA1HM393K	AB			0.039μF,50V,Mylar
C114	VCQYKA1HM393K	AB			0.039μF,50V,Mylar
C115	VCKYCY1HB561K	AA			560 p F,50V
C116	VCKYCY1HB561K	AA			560 p F,50V
C117	VCEAZA1EW476M	AB			47 μ F,25V,Electrolytic
C118	VCEAZA1EW476M	AB			47 μ F,25V,Electrolytic
C119	VCKYCY1HB222K	AA			0.0022 μ F,50V
C120	VCKYCY1HB222K	AA			0.0022 μ F,50V
C121	VCKYCY1EF223Z	AB			0.022 μ F,25V
C123	VCKYCY1HB271K	AA			270 p F,50V
C124	VCKYCY1HB271K	AA			270 p F,50V
C125	VCEAZA1EW226M	AB			22 μ F,25V,Electrolytic
C126	VCEAZA1EW226M	AB			22 μ F,25V,Electrolytic
C127	VCQYKA1HM223K	AB			0.022μF,50V,Mylar
C128	VCQYKA1HM223K	AB			0.022μF,50V,Mylar
C129	VCKYCY1HB332K	AA			0.0033 μ F,50V
C130	VCKYCY1HB332K	AA			0.0033 μ F,50V
C131	VCEAZA1EW476M	AB			47 μ F,25V,Electrolytic
C132	VCEAZA1EW476M	AB			47 μ F,25V,Electrolytic
C133	VCEAZA1EW226M	AB			22 μ F,25V,Electrolytic
C134	VCEAZA1AW227M	AC			220 μ F,10V,Electrolytic
C135	VCKYCY1EF223Z	AB			0.022 μ F,25V
C137	VCQYKA1HM473K	AB			0.047 μ F,50V,Mylar
C138	VCQPKAA2AA822J	AA			0.0082 μ F,50V,Thin Film
C139	VCQYKA1HM393K	AB			0.039 μ F,50V,Thin Film
C140	VCEAZA1EW476M	AB			47 μ F,25V,Electrolytic
C141	VCEAZA1CW107M	AC			100 μ F,16V,Electrolytic
C143	VCEAZA1HW335M	AB			3.3 μ F,50V,Electrolytic
C150	VCEAZA1EW476M	AB			47 μ F,25V,Electrolytic
C601	VCEAZA1CW227M	AC			220 μ F,16V,Electrolytic
C602	VCQYKA1HM223K	AB			0.022μF,50V,Mylar
C603	VCEAZA1AW227M	AC			220 μ F,10V,Electrolytic
C604	VCKYCY1HB681K	AA			680 p F,50V
C605	VCEAZA1HW475M	AB			4.7 μ F,50V,Electrolytic
C606	VCQYKA1HM823K	AC			0.082μF,50V,Mylar
C607	VCQYKA1HM823K	AC			0.082μF,50V,Mylar
C608	VCFYFA1HA124J	AB			0.12μF,50V,Thin Film
C609	VCEAZA1HW105M	AB			1 μ F,50V,Electrolytic
C610	VCEAZA1HW105M	AB			1 μ F,50V,Electrolytic
C611	VCKYCY1HB272K	AA			0.0027 μ F,50V
C612	VCKYCY1HB272K	AA			0.0027 μ F,50V
C613	VCEAZA1HW105M	AB			1 μ F,50V,Electrolytic
C614	VCEAZA1HW105M	AB			1 μ F,50V,Electrolytic
C615	VCFYFA1HA124J	AB			0.12μF,50V,Thin Film
C616	VCEAZA1HW475M	AB			4.7 μ F,50V,Electrolytic
C617	VCEAZA1HW105M	AB			1 μ F,50V,Electrolytic
C618	VCEAZA1HW105M	AB			1 μ F,50V,Electrolytic
C619	VCEAZA1HW105M	AB			1 μ F,50V,Electrolytic
C620	VCEAZA1HW105M	AB			1 μ F,50V,Electrolytic
C621	VCEAZA1HW105M	AB			1 μ F,50V,Electrolytic
C622	VCEAZA1HW105M	AB			1 μ F,50V,Electrolytic

NO.	PARTS CODE	PRICE RANK	NEW MARK	PART RANK	DESCRIPTION
[7] CAPACITORS					
C623	VCEAZA1HW105M	AB			1 μ F,50V,Electrolytic
C624	VCEAZA1HW105M	AB			1 μ F,50V,Electrolytic
C625	VCKYCY1HB222K	AA			0.0022 μ F,50V
C626	VCKYCY1HB222K	AA			0.0022 μ F,50V
C640	VCEAZA1HW226M	AB			22 μ F,50V,Electrolytic
C641	VCEAZA1AW107M	AB			100 μ F,10V,Electrolytic
C651	VCKYCY1HB221K	AA			220 p F,50V
C652	VCKYCY1HB221K	AA			220 p F,50V
C653	VCKYCY1HB221K	AA			220 p F,50V
C661	VCKYCY1HB681K	AA			680 p F,50V
C690	VCKYCY1HB391K	AA			390 p F,50V
C691	VCKYCY1HB391K	AA			390 p F,50V
C693	VCKYCY1EF104Z	AA			0.1 μ F,25V
C694	VCQYKA1HM103K	AA			0.01 μ F,50V,Mylar
C697	VCQYKA1HM102K	AA			0.001 μ F,50V,Mylar
C701	VCEAZA1HW105M	AB			1 μ F,50V,Electrolytic
C702	VCEAZA1AW227M	AC			220 μ F,10V,Electrolytic
C703	VCKYCY1EF223Z	AB			0.022 μ F,25V
C704	VCKYCY1EF223Z	AB			0.022 μ F,25V
C705	VCKYCY1EF473Z	AB			0.047 μ F,25V
C706	VCKYCY1EF473Z	AB			0.047 μ F,25V
C707	VCCCY1HH150J	AA			15 p F (CH),50V
C708	VCCCY1HH150J	AA			15 p F (CH),50V
C709	VCKYCY1EF223Z	AB			0.022 μ F,25V
C710	VCEAZA1EW476M	AB			47 μ F,25V,Electrolytic
C712	VCEAZA1HW335M	AB			3.3 μ F,50V,Electrolytic
C713	VCKYCY1HB103K	AA			0.01 μ F,50V
C714	VCKYCY1EF473Z	AB			0.047 μ F,25V
C715	VCKYCY1HB103K	AA			0.01 μ F,50V
C716	VCKYCY1EF223Z	AB			0.022 μ F,25V
C717	VCKYCY1HB473K	AA			0.047 μ F,50V
C718	VCKYCY1HB473K	AA			0.047 μ F,50V
C721	VCEAZA1HW105M	AB			1 μ F,50V,Electrolytic
C724	VCCCY1HH151J	AA			150 p F (CH),50V
C801	VCEAZA1VW107M	AC			100 μ F,35V,Electrolytic
C802	VCEAZA1HW476M	AB			47 μ F,50V,Electrolytic
C803	VCEAZA1HW476M	AB			47 μ F,50V,Electrolytic
C804	VCEAZA1JW227M	AB			220 μ F,63V,Electrolytic
C805	VCEAZA2AW226M	AC			22 μ F,100V,Electrolytic
C806	VCFYFA1HA104J	AB			0.1 μ F,50V,Thin Film
C807	VCFYFA1HA104J	AB			0.1 μ F,50V,Thin Film
C808	VCFYFA1HA104J	AB			0.1 μ F,50V,Thin Film
C809	VCFYFA1HA104J	AB			0.1 μ F,50V,Thin Film
C810	VCFYDA2AA224J	AD			0.22 μ F,50V,Thin Film
C811	VCFYDA2AA224J	AD			0.22 μ F,50V,Thin Film
C841	VCEAZA0JW108M	AC			1000 μ F,6.3V,Electrolytic
C842	VCEAZA1VW477M	AD			470 μ F,35V,Electrolytic
C843	VCQYKA1HM473K	AB			0.047 μ F,50V,Mylar
C844	RC-KZ002LAWZZ	AC			4700pF,250V,Ceramic
C850	VCEAZW1EW478M	AK			4700 μ F,25V,Electrolytic
C854	VCEAZA1EW227M	AC			220 μ F,25V,Electrolytic
C855	VCEAZA1HW476M	AB			47 μ F,50V,Electrolytic
C856	VCFYFA1HA104J	AB			0.1 μ F,50V,Thin Film
C859	VCEAZA1HW226M	AB			22 μ F,50V,Electrolytic
C861	VCQYKA1HM223K	AB			0.022 μ F,50V,Mylar
C864	VCEAZA1EW226M	AB			22 μ F,25V,Electrolytic
C865	VCEAZA1EW226M	AB			22 μ F,25V,Electrolytic
C869	VCQYKA1HM223K	AB			0.022 μ F,50V,Mylar
C885	VCKYCY1HB104K	AA			0.1 μ F,50V
C901	VCEAZA1HW105M	AB			1 μ F,50V,Electrolytic
C902	VCEAZA1HW105M	AB			1 μ F,50V,Electrolytic
C903	VCKYCY1HB102K	AA			0.001 μ F,50V
C904	VCKYCY1HB102K	AA			0.001 μ F,50V
C905	VCEAZA1HW335M	AB			3.3 μ F,50V,Electrolytic
C906	VCEAZA1HW335M	AB			3.3 μ F,50V,Electrolytic
C907	VCCCY1HH101J	AA			100 p F (CH),50V
C908	VCCCY1HH3R0C	AA			3 p F (CH),50V
C909	VCFYFA1HA104J	AB			0.1 μ F,50V,Thin Film
C910	VCCCY1HH3R0C	AA			3 p F (CH),50V
C911	VCEAZA2AW107M	AD			100 μ F,100V,Electrolytic
C912	VCEAZA2AW107M	AD			100 μ F,100V,Electrolytic
C913	VCCCY1HH101J	AA			100 p F (CH),50V
C914	VCEAZA2AW107M	AD			100 μ F,100V,Electrolytic
C915	VCEAZA2AW107M	AD			100 μ F,100V,Electrolytic
C916	VCEAZA1HW107M	AC			100 μ F,50V,Electrolytic
C917	VCKYCY1HB103K	AA			0.01 μ F,50V
C918	VCEAZA1HW107M	AC			100 μ F,50V,Electrolytic
C919	VCKYCY1HB103K	AA			0.01 μ F,50V
C920	RC-EZ0029AWZZ	AN			3300 μ F,71V,Electrolytic
C921	RC-EZ3016AWZZ	AG			4700 μ F,35V,Electrolytic
C922	RC-EZ3016AWZZ	AG			4700 μ F,35V,Electrolytic
C923	RC-EZ0029AWZZ	AN			3300 μ F,71V,Electrolytic
C925	VCEAZA1HW476M	AB			47 μ F,50V,Electrolytic
C928	VCFYFA1HA104J	AB			0.1 μ F,50V,Thin Film
C929	VCFYFA1HA104J	AB			0.1 μ F,50V,Thin Film
C939	VCEAZA1HW106M	AB			10 μ F,50V,Electrolytic
C946	VCEAZA1HW104M	AB			0.1 μ F,50V,Electrolytic
CS01	VCKYCY1HB102K	AA			0.001 μ F,50V

CD-MPX850

NO.	PARTS CODE	PRICE RANK	NEW MARK	PART RANK	DESCRIPTION
[7] CAPACITORS					
CS03	VCCCY1HH101J	AA			100 p F (CH),50V
CS07	VCEAZA1HW226M	AB			22 μ F,50V,Electrolytic
CS09	VCEAZA1HW226M	AB			22 μ F,50V,Electrolytic
CS13	VCEAZA1HW106M	AB			10 μ F,50V,Electrolytic
CS15	VCEAZA1EW476M	AB			47 μ F,25V,Electrolytic
CS18	VCEAZA1CW106M	AC			10 μ F,16V,Electrolytic
CS19	VCKYCY1HB104K	AA			0.1 μ F,50V
[8] RESISTORS					
JP1	VRS-CY1JB000J	AA			0 ohms,Jumper,0.8x1.55mm,Green
JP2	VRS-CY1JB000J	AA			0 ohms,Jumper,0.8x1.55mm,Green
JP3	VRS-CY1JB000J	AA			0 ohms,Jumper,0.8x1.55mm,Green
JP4	VRS-CY1JB000J	AA			0 ohms,Jumper,0.8x1.55mm,Green
JP6	VRS-CY1JB000J	AA			0 ohms,Jumper,0.8x1.55mm,Green
JP7	VRS-CY1JB000J	AA			0 ohms,Jumper,0.8x1.55mm,Green
JP8	VRS-CY1JB000J	AA			0 ohms,Jumper,0.8x1.55mm,Green
JP9	VRS-CY1JB000J	AA			0 ohms,Jumper,0.8x1.55mm,Green (MAIN PWB-A1)
JP10	VRS-CY1JB000J	AA			0 ohms,Jumper,0.8x1.55mm,Green (CD MP3 PWB-C)
JP11	VRS-CY1JB000J	AA			0 ohms,Jumper,0.8x1.55mm,Green (CD MP3 PWB-C)
JP12	VRS-CY1JB000J	AA			0 ohms,Jumper,0.8x1.55mm,Green
JP13	VRS-CY1JB000J	AA			0 ohms,Jumper,0.8x1.55mm,Green
JP14	VRS-CY1JB000J	AA			0 ohms,Jumper,0.8x1.55mm,Green
JP15	VRS-CY1JB000J	AA			0 ohms,Jumper,0.8x1.55mm,Green
JP16	VRS-CY1JB000J	AA			0 ohms,Jumper,0.8x1.55mm,Green
JP17	VRS-CY1JB000J	AA			0 ohms,Jumper,0.8x1.55mm,Green
JP18	VRS-CY1JB000J	AA			0 ohms,Jumper,0.8x1.55mm,Green
JP19	VRS-CY1JB000J	AA			0 ohms,Jumper,0.8x1.55mm,Green
JP20	VRS-CY1JB000J	AA			0 ohms,Jumper,0.8x1.55mm,Green
JP21	VRS-CY1JB000J	AA			0 ohms,Jumper,0.8x1.55mm,Green
JP601	VRS-CY1JB000J	AA			0 ohms,Jumper,0.8x1.55mm,Green
JP608	VRS-CY1JB000J	AA			0 ohms,Jumper,0.8x1.55mm,Green
JP652	VRS-CY1JB000J	AA			0 ohms,Jumper,0.8x1.55mm,Green
JP660	VRS-CY1JB000J	AA			0 ohms,Jumper,0.8x1.55mm,Green
JP665	VRS-CY1JB000J	AA			0 ohms,Jumper,0.8x1.55mm,Green
JP701~706	VRS-CY1JB000J	AA			0 ohms,Jumper,0.8x1.55mm,Green
JP710	VRS-CY1JB000J	AA			0 ohms,Jumper,0.8x1.55mm,Green
JP712	VRS-CY1JB000J	AA			0 ohms,Jumper,0.8x1.55mm,Green
JP714~15	VRS-CY1JB000J	AA			0 ohms,Jumper,0.8x1.55mm,Green
JP717~18	VRS-CY1JB000J	AA			0 ohms,Jumper,0.8x1.55mm,Green
JP721	VRS-CY1JB000J	AA			0 ohms,Jumper,0.8x1.55mm,Green
JP723~24	VRS-CY1JB000J	AA			0 ohms,Jumper,0.8x1.55mm,Green
JP731~32	VRS-CY1JB000J	AA			0 ohms,Jumper,0.8x1.55mm,Green
JP802	VRS-CY1JB000J	AA			0 ohms,Jumper,0.8x1.55mm,Green
JP803	VRS-CY1JB000J	AA			0 ohms,Jumper,0.8x1.55mm,Green
JP804	VRS-CY1JB000J	AA			0 ohms,Jumper,0.8x1.55mm,Green
JP807	VRS-CY1JB000J	AA			0 ohms,Jumper,0.8x1.55mm,Green
JP809	VRS-CY1JB000J	AA			0 ohms,Jumper,0.8x1.55mm,Green
JP810	VRS-CY1JB000J	AA			0 ohms,Jumper,0.8x1.55mm,Green
JP812	VRS-CY1JB000J	AA			0 ohms,Jumper,0.8x1.55mm,Green
JP817	VRS-CY1JB000J	AA			0 ohms,Jumper,0.8x1.55mm,Green
JP819	VRS-CY1JB000J	AA			0 ohms,Jumper,0.8x1.55mm,Green
JP821	VRS-CY1JB000J	AA			0 ohms,Jumper,0.8x1.55mm,Green
JP822	VRS-CY1JB000J	AA			0 ohms,Jumper,0.8x1.55mm,Green
JP823	VRS-CY1JB000J	AA			0 ohms,Jumper,0.8x1.55mm,Green
R7	VRD-ST2CD470J	AA			47 ohms,1/6W
R1	VRD-ST2CD102J	AA			1 kohm,1/6W
R4	VRD-ST2CD102J	AA			1 kohm,1/6W
R8	VRS-CY1JB100J	AA			10 ohms,1/16W
R9	VRD-ST2CD102J	AA			1 kohms,1/6W
R10	VRD-ST2CD682J	AA			6.8 kohm,1/6W (use in CD MP3 PWB-C)
R10	VRS-CY1JB473J	AA			47 kohm,1/16W (use in DISPLAY PWB-B1)
R11	VRD-ST2CD822J	AA			8.2 kohm,1/6W (use in CD MP3 PWB-C)
R11	VRS-CY1JB473J	AA			47 kohm,1/16W (use in DISPLAY PWB-B1)
R12	VRS-CY1JB473J	AA			47 kohm,1/16W (use in DISPLAY PWB-B1)
R12	VRD-ST2CD472J	AA			4.7 kohm,1/6W (use in CD MP3 PWB-C)
R13	VRS-CY1JB473J	AA			47 kohm,1/16W (use in DISPLAY PWB-B1)
R13	VRD-ST2CD472J	AA			4.7 kohm,1/6W (use in CD MP3 PWB-C)
R14	VRS-CY1JB473J	AA			47 kohm,1/16W (use in DISPLAY PWB-B1)
R14	VRS-CY1JB103J	AA			10 kohm,1/16W (use in CD MP3 PWB-C)
R15	VRS-CY1JB473J	AA			47 kohm,1/16W (use in DISPLAY PWB-B1)
R15	VRS-CY1JB682J	AA			6.8 kohm,1/16W (use in CD MP3 PWB-C)
R16	VRS-CY1JB473J	AA			47 kohm,1/16W (use in DISPLAY PWB-B1)
R16	VRS-CY1JB331J	AA			330 ohm,1/16W (use in CD MP3 PWB-C)
R17	VRS-CY1JB473J	AA			47 kohm,1/16W (use in DISPLAY PWB-B1)
R17	VRD-ST2CD330J	AA			33 ohm,1/6W (use in CD MP3 PWB-C)
R18	VRS-CY1JB473J	AA			47 kohm,1/16W (use in DISPLAY PWB-B1)
R18	VRS-CY1JB1R0J	AA			1 ohm,1/16W (use in CD MP3 PWB-C)
R19	VRS-CY1JB473J	AA			47 kohm,1/16W (use in DISPLAY PWB-B1)
R19	VRD-ST2CD822J	AA			8.2 kohm,1/6W (use in CD MP3 PWB-C)
R20	VRS-CY1JB473J	AA			47 kohm,1/16W (use in DISPLAY PWB-B1)
R20	VRD-ST2CD153J	AA			15 kohm,1/6W (use in CD MP3 PWB-C)
R21	VRS-CY1JB473J	AA			47 kohm,1/16W (use in DISPLAY PWB-B1)
R21	VRD-ST2CD123J	AA			12 kohm,1/6W (use in CD MP3 PWB-C)
R22	VRS-CY1JB473J	AA			47 kohm,1/16W (use in DISPLAY PWB-B1)
R22	VRD-ST2CD822J	AA			8.2 kohm,1/6W (use in CD MP3 PWB-C)
R23	VRS-CY1JB473J	AA			47 kohm,1/16W (use in DISPLAY PWB-B1)
R23	VRD-ST2CD681J	AA			680 ohm,1/6W (use in CD MP3 PWB-C)
R24	VRS-CY1JB473J	AA			47 kohm,1/16W (use in DISPLAY PWB-B1)

NO.	PARTS CODE	PRICE RANK	NEW MARK	PART RANK	DESCRIPTION
[8] RESISTORS					
R24	VRD-ST2CD681J	AA			680 ohm,1/6W (use in CD MP3 PWB-C)
R25	VRS-CY1JB473J	AA			47 kohm,1/16W (use in DISPLAY PWB-B1)
R25	VRD-ST2CD683J	AA			68 kohm,1/6W (use in CD MP3 PWB-C)
R26	VRS-CY1JB473J	AA			47 kohm,1/16W (use in DISPLAY PWB-B1)
R26	VRD-ST2CD102J	AA			1 kohm,1/6W (use in CD MP3 PWB-C)
R27	VRS-CY1JB473J	AA			47 kohm,1/16W (use in DISPLAY PWB-B1)
R27	VRD-ST2CD820J	AA			82 ohm,1/6W (use in CD MP3 PWB-C)
R28	VRS-CY1JB473J	AA			47 kohm,1/16W (use in DISPLAY PWB-B1)
R28	VRS-CY1JB472J	AA			4.7 kohm,1/16W (use in CD MP3 PWB-C)
R29	VRS-CY1JB473J	AA			47 kohm,1/16W (use in DISPLAY PWB-B1)
R29	VRD-ST2CD1R0J	AA			1 ohm,1/6W (use in CD MP3 PWB-C)
R30	VRS-CY1JB473J	AA			47 kohm,1/16W (use in DISPLAY PWB-B1)
R30	VRS-CY1JB271J	AA			270 ohm,1/16W (use in CD MP3 PWB-C)
R31	VRS-CY1JB681J	AA			680 ohms,1/16W
R32	VRS-CY1JB820J	AA			82 ohms,1/16W
R33	VRS-CY1JB102J	AA			1 kohms,1/16W
R34	VRS-CY1JB102J	AA			1 kohms,1/16W
R35	VRD-ST2CD102J	AA			1 kohms,1/6W
R36	VRS-CY1JB102J	AA			1 kohms,1/16W
R37	VRS-CY1JB102J	AA			1 kohms,1/16W
R38	VRS-CY1JB102J	AA			1 kohms,1/16W
R39	VRS-CY1JB102J	AA			1 kohms,1/16W
R40	VRD-ST2CD102J	AA			1 kohms,1/6W
R41	VRD-ST2CD102J	AA			1 kohms,1/6W
R42	VRD-ST2CD102J	AA			1 kohms,1/6W
R43	VRS-CY1JB220J	AA			22 ohm,1/16W
R44	VRS-CY1JB332J	AA			3.3 kohms,1/16W
R45	VRS-CY1JB151J	AA			150 ohms,1/16W
R46	VRS-CY1JB223J	AA			22 kohms,1/16W
R47	VRS-CY1JB000J	AA			0 ohms,Jumper,0.8x1.55mm,Green
R48	VRS-CY1JB222J	AA			2.2 kohms,1/16W
R49	VRS-CY1JB222J	AA			2.2 kohms,1/16W
R50	VRS-CY1JB103J	AA			10 kohms,1/16W
R51	VRS-CY1JB103J	AA			10 kohm,1/16W (use in CD MP3 PWB-C)
R51	VRS-CY1JB000J	AA			0 ohms,Jumper,0.8 x 1.55mm,Green (MAIN PWB-A1)
R52	VRS-CY1JB820J	AA			82 ohms,1/16W (CD SERVO PWB-C)
R52	VRS-CY1JB000J	AA			0 ohms,Jumper,0.8 x 1.55mm,Green (MAIN PWB-A1)
R53	VRD-ST2EE1R0J	AA			1 ohms,1/4W
R54	VRD-ST2EE1R0J	AA			1 ohms,1/4W
R55	VRS-CY1JB472J	AA			4.7 kohms,1/16W
R57	VRD-ST2CD333J	AA			33 kohms,1/6W
R58	VRS-CY1JB152J	AA			1.5 kohms,1/16W
R59	VRS-CY1JB272J	AA			2.7 kohms,1/16W
R60	VRS-CY1JB152J	AA			1.5 kohms,1/16W
R61	VRS-CY1JB272J	AA			2.7 kohms,1/16W
R62	VRD-ST2CD271J	AA			270 ohms,1/6W
R63	VRS-CY1JB182J	AA			1.8 kohms,1/16W
R64	VRS-CY1JB392J	AA			3.9 kohms,1/16W
R65	VRS-CY1JB182J	AA			1.8 kohms,1/16W
R66	VRD-ST2CD392J	AA			3.9 kohms,1/6W
R67	VRS-CY1JB225J	AA			2.2 Mohms,1/16W
R68	VRS-CY1JB000J	AA			0 ohms,Jumper,0.8x1.55mm,Green
R101	VRS-CY1JB332J	AA			3.3 kohms,1/16W
R102	VRS-CY1JB332J	AA			3.3 kohms,1/16W
R103	VRS-CY1JB222J	AA			2.2 kohms,1/16W
R104	VRS-CY1JB222J	AA			2.2 kohms,1/16W
R105	VRS-CY1JB332J	AA			3.3 kohms,1/16W
R106	VRS-CY1JB332J	AA			3.3 kohms,1/16W
R107	VRS-CY1JB473J	AA			47 kohms,1/16W
R108	VRS-CY1JB473J	AA			47 kohms,1/16W
R109	VRS-CY1JB472J	AA			4.7 kohms,1/16W
R110	VRS-CY1JB472J	AA			4.7 kohms,1/16W
R111	VRD-ST2CD153J	AA			15 kohms,1/6W
R112	VRS-CY1JB153J	AA			15 kohms,1/16W
R113	VRD-ST2CD332J	AA			3.3 kohms,1/6W
R114	VRD-ST2CD332J	AA			3.3 kohms,1/6W
R115	VRD-ST2CD560J	AA			56 ohms,1/6W
R116	VRD-ST2CD560J	AA			56 ohms,1/6W
R117	VRS-CY1JB104J	AA			100 kohms,1/16W
R118	VRS-CY1JB104J	AA			100 kohms,1/16W
R119	VRS-CY1JB392J	AA			3.9 kohms,1/16W
R120	VRS-CY1JB392J	AA			3.9 kohms,1/16W
R121	VRS-CY1JB123J	AA			12 kohm,1/16W
R122	VRS-CY1JB123J	AA			12 kohm,1/16W
R123	VRS-CY1JB822J	AA			8.2 kohm,1/16W
R124	VRS-CY1JB822J	AA			8.2 kohm,1/16W
R126	VRS-CY1JB682J	AA			6.8 kohm,1/16W
R127	VRS-CY1JB682J	AA			6.8 kohm,1/16W
R128	VRS-CY1JB392J	AA			3.9 kohms,1/16W
R129	VRS-CY1JB392J	AA			3.9 kohms,1/16W
R130	VRS-CY1JB222J	AA			2.2 kohms,1/16W
R131	VRS-CY1JB222J	AA			2.2 kohms,1/16W
R132	VRS-CY1JB151J	AA			150 ohms,1/16W
R133	VRS-CY1JB151J	AA			150 ohms,1/16W
R134	VRS-CY1JB103J	AA			10 kohms,1/16W
R135	VRS-CY1JB103J	AA			10 kohms,1/16W
R136	VRS-CY1JB184J	AA			180 kohms,1/16W
R137	VRS-CY1JB184J	AA			180 kohms,1/16W

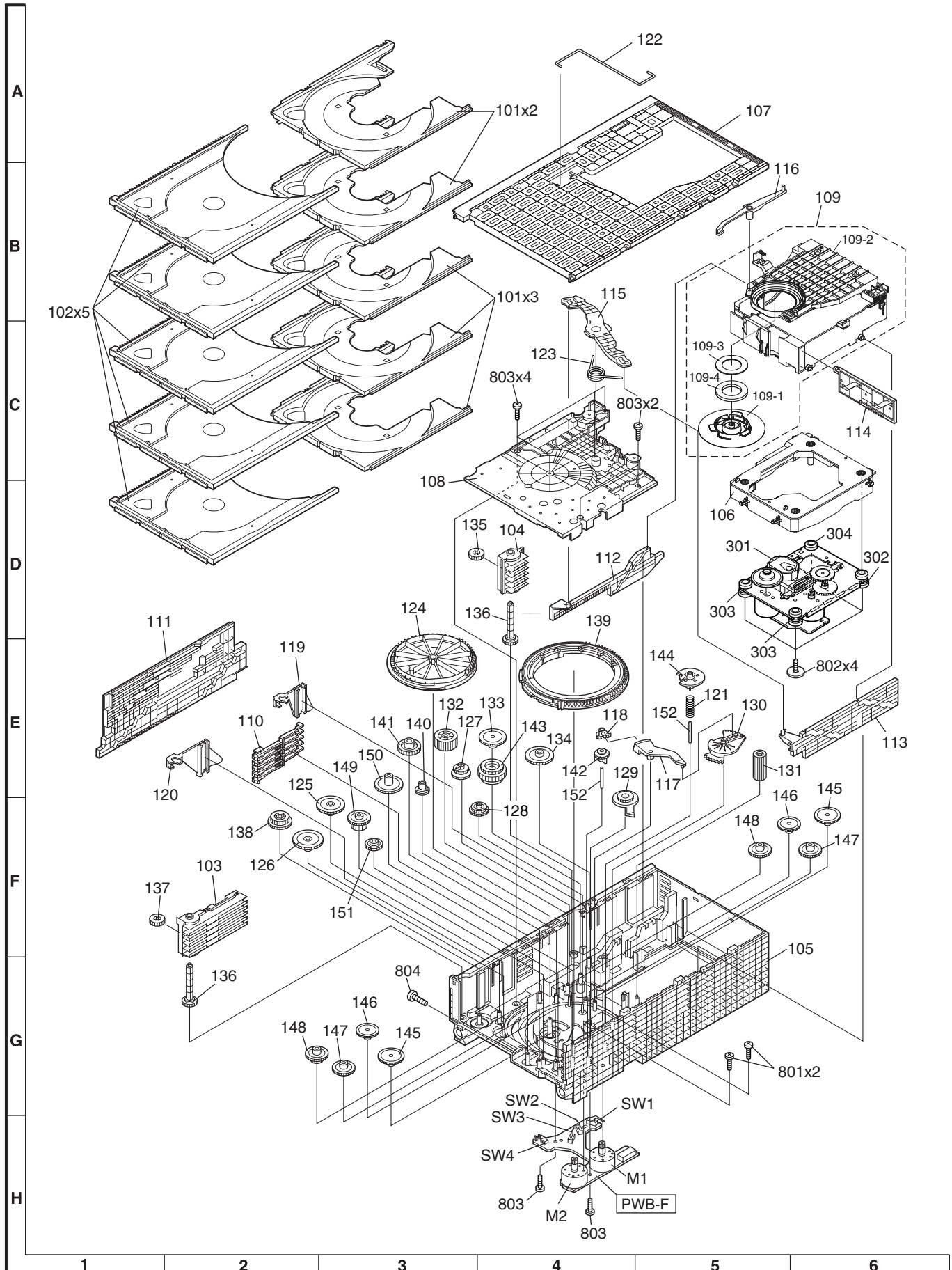
NO.	PARTS CODE	PRICE RANK	NEW MARK	PART RANK	DESCRIPTION
[8] RESISTORS					
R138	VRS-CY1JB103J	AA			10 kohms,1/16W
R139	VRS-CY1JB103J	AA			10 kohms,1/16W
R140	VRS-CY1JB473J	AA			47 kohms,1/16W
R141	VRS-CY1JB472J	AA			4.7 kohms,1/16W
R142	VRD-RT2HD820J	AA			82 ohms,1/2W
R143	VRS-CY1JB473J	AA			47 kohms,1/16W
R144	VRS-CY1JB223J	AA			22 kohms,1/16W
R145	VRD-ST2CD4R7J	AA			4.7 ohms,1/6W
R146	VRS-CY1JB103J	AA			10 kohms,1/16W
R147	VRS-CY1JB103J	AA			10 kohms,1/16W
R148	VRS-CY1JB472J	AA			4.7 kohms,1/16W
R149	VRD-ST2EE151J	AA			150 ohms,1/4W
R150	VRS-CY1JB683J	AA			68 kohms,1/16W
R151	VRS-CY1JB000J	AA			0 ohms,Jumper,0.8x1.55mm,Green
R152	VRS-CY1JB000J	AA			0 ohms,Jumper,0.8x1.55mm,Green
R158	VRD-ST2EE221J	AA			220 ohms,1/4W
R601	VRD-ST2CD102J	AA			1 kohms,1/6W
R602	VRD-ST2CD102J	AA			1 kohms,1/6W
R603	VRD-ST2CD102J	AA			1 kohms,1/6W
R606	VRS-CY1JB562J	AA			5.6 kohm,1/16W
R607	VRS-CY1JB562J	AA			5.6 kohm,1/16W
R608	VRS-CY1JB821J	AA			820 ohm,1/16W
R609	VRS-CY1JB821J	AA			820 ohm,1/16W
R614	VRS-CY1JB472J	AA			4.7 kohms,1/16W
R615	VRS-CY1JB472J	AA			4.7 kohms,1/16W
R616	VRS-CY1JB222J	AA			2.2 kohms,1/16W
R617	VRS-CY1JB222J	AA			2.2 kohms,1/16W
R618	VRD-ST2CD331J	AA			330 ohms,1/6W
R619	VRS-CY1JB331J	AA			330 ohms,1/16W
R620	VRS-CY1JB223J	AA			22 kohms,1/16W
R622	VRD-ST2CD103J	AA			10 kohms,1/6W
R623	VRS-CY1JB183J	AA			18 kohms,1/16W
R630	VRS-CY1JB474J	AA			470 kohms,1/16W
R631	VRS-CY1JB104J	AA			100 kohms,1/16W
R641	VRS-CY1JB223J	AA			22 kohms,1/16W
R642	VRD-ST2CD223J	AA			22 kohms,1/6W
R643	VRS-CY1JB272J	AA			2.7 kohm,1/16W
R644	VRS-CY1JB272J	AA			2.7 kohm,1/16W
R682	VRD-ST2CD103J	AA			10 kohms,1/6W
R683	VRS-CY1JB183J	AA			18 kohms,1/16W
R685	VRS-CY1JB102J	AA			1 kohms,1/16W
R690	VRD-ST2CD562J	AA			5.6 kohm,1/6W
R691	VRD-ST2CD562J	AA			5.6 kohm,1/6W
R692	VRD-ST2CD393J	AA			39 kohm,1/6W
R693	VRD-ST2CD393J	AA			39 kohm,1/6W
R701	VRD-ST2CD102J	AA			1 kohms,1/6W
R702	VRD-ST2CD102J	AA			1 kohms,1/6W
R703	VRS-CY1JB102J	AA			1 kohms,1/16W
R704	VRS-CY1JB102J	AA			1 kohms,1/16W
R705	VRS-CY1JB102J	AA			1 kohms,1/16W
R706	VRD-ST2CD102J	AA			1 kohms,1/6W
R708	VRS-CY1JB102J	AA			1 kohms,1/16W
R709	VRS-CY1JB102J	AA			1 kohms,1/16W
R710	VRS-CY1JB102J	AA			1 kohms,1/16W
R711	VRS-CY1JB102J	AA			1 kohms,1/16W
R712	VRS-CY1JB102J	AA			1 kohms,1/16W
R713	VRS-CY1JB182J	AA			1.8 kohms,1/16W
R714	VRS-CY1JB102J	AA			1 kohms,1/16W
R715	VRS-CY1JB221J	AA			220 ohms,1/16W
R716	VRD-ST2CD221J	AA			220 ohms,1/6W
R717	VRD-ST2CD102J	AA			1 kohms,1/6W
R718	VRS-CY1JB102J	AA			1 kohms,1/16W
R719	VRS-CY1JB102J	AA			1 kohms,1/16W
R720	VRD-ST2CD102J	AA			1 kohms,1/6W
R721	VRS-CY1JB102J	AA			1 kohms,1/16W
R722	VRS-CY1JB102J	AA			1 kohms,1/16W
R723	VRS-CY1JB102J	AA			1 kohms,1/16W
R724	VRD-ST2CD102J	AA			1 kohms,1/6W
R725	VRS-CY1JB102J	AA			1 kohms,1/16W
R726	VRS-CY1JB102J	AA			1 kohms,1/16W
R727	VRS-CY1JB102J	AA			1 kohms,1/16W
R728	VRS-CY1JB561J	AA			560 ohms,1/16W
R729	VRS-CY1JB102J	AA			1 kohms,1/16W
R730	VRS-CY1JB681J	AA			680 ohms,1/16W
R731	VRD-ST2CD222J	AA			2.2 kohms,1/6W
R732	VRS-CY1JB681J	AA			680 ohms,1/16W
R733	VRD-ST2CD102J	AA			1 kohms,1/6W
R734	VRD-ST2CD102J	AA			1 kohms,1/6W
R736	VRD-ST2CD102J	AA			1 kohms,1/6W
R741	VRD-ST2CD102J	AA			1 kohms,1/6W
R742	VRD-ST2CD102J	AA			1 kohms,1/6W
R743	VRD-ST2CD102J	AA			1 kohms,1/6W
R745	VRD-ST2CD102J	AA			1 kohms,1/6W
R746	VRS-CY1JB102J	AA			1 kohm,1/16W
R747	VRD-ST2EE1R5J	AA			1.5 ohms,1/4W
R750	VRS-CY1JB473J	AA			47 kohms,1/16W
R752	VRD-ST2EE181J	AA			180 ohms,1/4W (LED PWB-D) Use 2 pcs
R752	VRS-CY1JB103J	AA			10 kohm,1/16W (use in DISPLAY PWB-B1)

NO.	PARTS CODE	PRICE RANK	NEW MARK	PART RANK	DESCRIPTION
[8] RESISTORS					
	R753	VRS-CY1JB103J	AA		10 kohms,1/16W
	R754	VRD-ST2EE331J	AA		330 ohms,1/4W
	R756	VRD-ST2CD182J	AA		1.8 kohms,1/6W
	R757	VRS-CY1JB102J	AA		1 kohms,1/16W
	R758	VRS-CY1JB102J	AA		1 kohms,1/16W
	R759	VRD-ST2CD122J	AA		1.2 kohms,1/6W
	R760	VRS-CY1JB103J	AA		10 kohms,1/16W
	R761	VRS-CY1JB103J	AA		10 kohms,1/16W
	R762	VRS-CY1JB103J	AA		10 kohms,1/16W
	R763	VRD-ST2CD103J	AA		10 kohms,1/6W
	R764	VRS-CY1JB472J	AA		4.7 kohms,1/16W
	R765	VRS-CY1JB472J	AA		4.7 kohms,1/16W
	R766	VRS-CY1JB272J	AA		2.7 kohms,1/16W
	R769	VRS-CY1JB472J	AA		4.7 kohms,1/16W
	R770	VRS-CY1JB103J	AA		10 kohms,1/16W
	R771	VRS-CY1JB103J	AA		10 kohms,1/16W
	R772	VRS-CY1JB103J	AA		10 kohms,1/16W
	R773	VRS-CY1JB122J	AA		1.2 kohms,1/16W
	R774	VRS-CY1JB103J	AA		10 kohms,1/16W
	R775	VRS-CY1JB103J	AA		10 kohms,1/16W
	R776	VRD-ST2CD473J	AA		47 kohms,1/6W
	R777	VRS-CY1JB104J	AA		100 kohms,1/16W
	R778	VRD-ST2CD101J	AA		100 ohms,1/6W
	R779	VRS-CY1JB103J	AA		10 kohms,1/16W
	R780	VRS-CY1JB103J	AA		10 kohms,1/16W
	R781	VRD-ST2CD103J	AA		10 kohms,1/6W
	R784	VRS-CY1JB182J	AA		1.8 kohms,1/16W
	R785	VRS-CY1JB182J	AA		1.8 kohms,1/16W
	R786	VRD-ST2EE1R5J	AA		1.5 ohms,1/4W
	R787	VRS-CY1JB104J	AA		100 kohms,1/16W
	R788	VRD-ST2CD392J	AA		3.9 kohms,1/6W
	R801	VRD-ST2CD104J	AA		100 kohms,1/6W
	R802	VRD-ST2CD473J	AA		47 kohms,1/6W
	R803	VRD-ST2CD123J	AA		12 kohms,1/6W
	R804	VRD-ST2EE470J	AA		47 ohms,1/4W
	R805	VRD-ST2EE470J	AA		47 ohms,1/4W
	R806	VRD-ST2CD473J	AA		47 kohms,1/6W
	R808	VRD-RT2HD222J	AA		2.2 kohms,1/2W
	R841	VRD-ST2CD224J	AA		220 kohm,1/6W
	R842	VRD-ST2CD102J	AA		1 kohm,1/6W
	R843	VRD-ST2CD473J	AA		47 kohm,1/6W
	R844	VRD-ST2EE820J	AA		82 ohm,1/4W
	R853	VRD-ST2CD223J	AA		22 kohms,1/6W
	R854	VRD-ST2CD332J	AA		3.3 kohms,1/6W
	R857	VRD-ST2CD223J	AA		22 kohms,1/6W
	R858	VRD-ST2CD221J	AA		220 ohm,1/6W
	R859	VRD-ST2CD103J	AA		10 kohms,1/6W
	R863	VRD-RT2HD3R3J	AA		3.3 ohms,1/2W
	R864	VRD-ST2CD223J	AA		22 kohms,1/6W
	R885	VRS-CY1JB102J	AA		1 kohm,1/16W
	R886	VRS-CY1JB223J	AA		22 kohms,1/16W
	R887	VRS-CY1JB223J	AA		22 kohms,1/16W
	R888	VRD-ST2CD473J	AA		47 kohms,1/6W
	R889	VRD-ST2CD473J	AA		47 kohms,1/6W
△	R890	RR-HZA003AWZZ	AD		4.7 Mohm,1/2W
	R891	VRD-ST2EE101J	AA		100 ohms,1/4W
	R901	VRS-CY1JB563J	AA		56 kohms,1/16W
	R902	VRS-CY1JB563J	AA		56 kohms,1/16W
	R903	VRS-CY1JB102J	AA		1 kohms,1/16W
	R904	VRS-CY1JB102J	AA		1 kohms,1/16W
	R905	VRS-CY1JB561J	AA		560 ohms,1/16W
	R906	VRS-CY1JB561J	AA		560 ohms,1/16W
	R907	VRS-CY1JB563J	AA		56 kohms,1/16W
	R908	VRS-CY1JB102J	AA		1 kohms,1/16W
	R909	VRS-CY1JB333J	AA		33 kohms,1/16W
	R910	VRD-ST2CD102J	AA		1 kohms,1/6W
	R911	VRS-CY1JB563J	AA		56 kohms,1/16W
△	R912	VRG-ST2EC101J	AB		100 ohms,1/4W,Fusible
	R913	VRN-VV3LAR22J	AC		0.22 kohms,3W
	R916	VRN-VV3LAR22J	AC		0.22 kohms,3W
	R917	VRN-VV3LAR10J	AD		0.1 kohms,3W
	R918	VRD-ST2CD152J	AA		1.5 kohms,1/6W
	R919	VRS-CY1JB182J	AA		1.8 kohms,1/16W
	R920	VRS-CY1JB182J	AA		1.8 kohms,1/16W
	R921	VRD-ST2CD152J	AA		1.5 kohms,1/6W
	R922	VRN-VV3LAR10J	AD		0.1 kohms,3W
	R925	VRD-RT2HD152J	AA		1.5 kohms,1/2W
	R926	VRD-RT2HD152J	AA		1.5 kohms,1/2W
	R927	VRD-ST2EE393J	AA		39 kohms,1/4W
	R928	VRD-ST2EE393J	AA		39 kohms,1/4W
	R929	VRD-ST2EE473J	AA		47 kohms,1/4W
	R930	VRD-ST2EE473J	AA		47 kohms,1/4W
	R934	VRD-ST2CD563J	AA		56 kohms,1/6W
	R935	VRD-ST2CD563J	AA		56 kohms,1/6W
	R937	VRS-CY1JB563J	AA		56 kohms,1/16W
	R938	VRD-RT2HD100J	AA		10 ohms,1/2W
	R939	VRD-RT2HD100J	AA		10 ohms,1/2W
	R940	VRD-RT2HD100J	AA		10 ohms,1/2W

NO.	PARTS CODE	PRICE RANK	NEW MARK	PART RANK	DESCRIPTION
[8] RESISTORS					
R941	VRD-RT2HD100J	AA			10 ohms,1/2W
R942	VRN-VV3DA471J	AC			470 ohms,2W
R943	VRN-VV3DA471J	AC			470 ohms,2W
R944	VRD-ST2CD152J	AA			1.5 kohms,1/6W
R945	VRD-ST2CD152J	AA			1.5 kohms,1/6W
R946	VRS-CY1JB473J	AA			47 kohms,1/16W
R947	VRS-CY1JB153J	AA			15 kohms,1/16W
R949	VRD-RT2HD102J	AA			1 kohms,1/2W
R950	VRD-ST2CD683J	AA			68 kohms,1/6W
R956	VRS-CY1JB102J	AA			1 kohms,1/16W
R958	VRG-ST2EC101J	AB			100 ohms,1/4W,Fusible
R968	VRD-ST2CD223J	AA			22 kohms,1/6W
R983	VRS-CY1JB333J	AA			33 kohms,1/16W
R984	VRS-CY1JB102J	AA			1 kohm,1/16W
R985	VRS-CY1JB822J	AA			8.2 kohms,1/16W
R986	VRS-CY1JB822J	AA			8.2 kohms,1/16W
R987	VRS-CY1JB222J	AA			2.2 kohms,1/16W
R988	VRS-CY1JB222J	AA			2.2 kohms,1/16W
R990	VRD-ST2CD102J	AA			1 kohms,1/6W
R01	VRS-CY1JB473J	AA			47 kohm,1/16W
R02	VRS-CY1JB473J	AA			47 kohm,1/16W
R03	VRS-CY1JB473J	AA			47 kohm,1/16W
R04	VRS-CY1JB473J	AA			47 kohm,1/16W
R05	VRS-CY1JB473J	AA			47 kohm,1/16W
R06	VRS-CY1JB473J	AA			47 kohm,1/16W
R07	VRS-CY1JB473J	AA			47 kohm,1/16W
R08	VRS-CY1JB473J	AA			47 kohm,1/16W
R09	VRS-CY1JB473J	AA			47 kohm,1/16W
RD01	VRS-CY1JB681J	AA			680 ohms,1/16W
RD02	VRS-CY1JB821J	AA			820 ohms,1/16W
RD03	VRD-ST2CD102J	AA			1 kohms,1/6W
RD04	VRS-CY1JB152J	AA			1.5 kohms,1/16W
RD05	VRD-ST2CD681J	AA			680 ohms,1/6W
RD06	VRS-CY1JB821J	AA			820 ohms,1/16W
RD07	VRS-CY1JB102J	AA			1 kohms,1/16W
RD09	VRS-CY1JB681J	AA			680 ohms,1/16W
RD10	VRS-CY1JB821J	AA			820 ohms,1/16W
RD11	VRS-CY1JB102J	AA			1 kohms,1/16W
RD12	VRS-CY1JB152J	AA			1.5 kohms,1/16W
RD13	VRS-CY1JB222J	AA			2.2 kohms,1/16W
RS01	VRS-CY1JB103J	AA			10 kohms,1/16W
RS03	VRS-CY1JB103J	AA			10 kohms,1/16W
RS05	VRS-CY1JB473J	AA			47 kohms,1/16W
RS07	VRS-CY1JB102J	AA			1 kohms,1/16W
RS09	VRS-CY1JB102J	AA			1 kohms,1/16W
RS11	VRS-CY1JB471J	AA			470 kohms,1/16W
RS15	VRS-CY1JB473J	AA			47 kohms,1/16W
RS17	VRS-CY1JB104J	AA			100 kohms,1/16W
RS19	VRS-CY1JB123J	AA			12 kohms,1/16W
RS21	VRD-ST2CD103J	AA			10 kohms,1/6W
RS22	VRD-ST2CD103J	AA			10 kohms,1/6W
RS23	VRD-ST2CD103J	AA			10 kohms,1/6W
RS24	VRD-ST2CD472J	AA			4.7 kohms,1/6W
RS25	VRD-ST2CD333J	AA			33 kohms,1/6W
RS27	VRS-CY1JB122J	AA			1.2 kohms,1/16W
RS29	VRS-CY1JB473J	AA			47 kohms,1/16W
RS30	VRS-CY1JB000J	AA			0 ohms,Jumper,0.8x1.55mm,Green
RS35	VRS-CY1JB103J	AA			10 kohms,1/16W
[9] OTHER CIRCUITRY PARTS					
B1601/CNS601	QCNWNA261AWPZ	AG			Connector Assy,8/7Pin
B1603/CNS603	QCNWNA271AWPZ	AK			Connector Ass'y,6/5Pin
BI701	QCNWNA827AWPZ	AK			Connector Ass'y,8 / 7 Pin with CNS701
B1702/CNS702	QCNWNA267AWPZ	AF			Connector Ass'y,9/10Pin
BI801/CNS801	QCNWNA270AWPZ	AK			Connector Ass'y,9/10Pin
CNP1	QCNCWYP16AWZZ	AD			Socket,16Pin
CNP2	QCNCM705FAFZZ	AB			Plug, 6 Pin
CNP2A	92LCONE4P53254	AB			Plug,4Pin
CNP3	92LCONE7P53254	AB			Plug,7Pin
CNP4	QCNCWZX11AWZZ	AC			Socket,11Pin
CNP4A	QCNCWZO11AWZZ	AC			Socket,11Pin
CNP7	QCNCWZY14AWZZ	AG			Socket,14Pin
CNP101	QCNCM705CAFZZ	AA			Plug,3Pin
CNP102	QCNCM705GAFZZ	AB			Plug,7Pin
CNP303	QCNCWZX11AWZZ	AC			Socket,11Pin
CNP603	92LCONE5P53253	AB			Plug,5Pin
CNP702	QCNCWZY07AWZZ	AC			Socket,7Pin
CNP703	QCNCWZY14AWZZ	AD			Socket,14Pin
CNP707	QCNCM704BAFZZ	AA			Plug,2Pin (Use in LED PWB-D) Use 2 pcs
CNP701A	QCNCWZY20AWZZ	AD			Socket,20Pin
CNP701B	QCNCWZX20AWZZ	AD			Socket,20Pin
CNP801	QCNCM035KAWZZ	AG			Plug,9Pin
CNP802	92LCONE6P53253	AC			Plug,6Pin
CNP805	QCNCM049BAWZZ	AC			Plug,2Pin
CNP901	QCNCW012EAWZZ	AC			Socket,5Pin
CNP971	92LCONE2P53253	AB			Plug,2Pin
CNPU1	92LCONE8P53254	AC			Plug, 8 Pin
CNPU2	92LCONE7P53254	AB			Plug, 7 Pin

NO.	PARTS CODE	PRICE RANK	NEW MARK	PART RANK	DESCRIPTION
[9] OTHER CIRCUITRY PARTS					
	CNS01	QCNCM704BAFZZ	AA		Plug,2Pin
	CNS02	QCNCM704BAFZZ	AA		Plug,2Pin
	CNS2A / B	QCWNNA750AWPZ	AG		Connector Ass'y, 6 Pin
	CON / WIRE	QCWNNA080AWPZ	AC		Connector Ass'y,2Pin
	CON / WIRE	QCWNNA309AWPZ	AC		Connector Ass'y
	CON / WIRE	QCWNNA558AWPZ	AF		Connector Ass'y,4Pin
△	F801	QFS-D402BSJNI	AB		Fuse,4A,125V
△	F802	QFS-D402BSJNI	AB		Fuse,4A,125V
△	F803	QFS-D202BSJNI	AB		Fuse,2A,125V
△	F804	QFS-D202BSJNI	AB		Fuse,2A,125V
△	F805	QFS-D402BSJNI	AB		Fuse,4A,125V
	FFC1	QCWN2700AWPZ	AD		Flat Cable,16 Pin
	FFC4	QCWN2701AWPZ	AD		Flat Cable,11 Pin
	FFC303	QCWN2525AWZZ	AD		Flat Cable,11 Pin
	FFC701	QCWNNA128AWPZ	AD		Flat Cable,20 Pin
	FFC702	QCWN2495AWZZ	AD		Flat Cable,7 Pin
	FFC703	QCWN2717AWPZ	AD		Flat Cable,14 Pin
△	FH801	92LFSHOLD1652T	AB		Fuse Holder
△	FH802	92LFSHOLD1652T	AB		Fuse Holder
△	FH803	92LFSHOLD1652T	AB		Fuse Holder
△	FH804	92LFSHOLD1652T	AB		Fuse Holder
△	FH805	92LFSHOLD1652T	AB		Fuse Holder
△	FH806	92LFSHOLD1652T	AB		Fuse Holder
△	FH807	92LFSHOLD1652T	AB		Fuse Holder
△	FH808	92LFSHOLD1652T	AB		Fuse Holder
△	FH809	92LFSHOLD1652T	AB		Fuse Holder
△	FH810	92LFSHOLD1652T	AB		Fuse Holder
	FL701	VVKNA12MM54-1	AU		FL Display
	FW901	QCWN2711AWPZ	AD		Flat Wire
	JK690	QSOCJ0313AWZZ	AF		Jack,Game Input
	JK691	QSOCJ0120AWZZ	AD		Jack,Video Out
	JK692	QJAKM0004AWZZ	AK		Jack,Headphones
	JOG701	QSW-ZA001AWZZ	AE		Volume Variable
	LG1	QLUGPA001AWZZ	AC		Lug Terminal
	LG2	QLUGPA001AWZZ	AC		Lug Terminal
	LG3	QLUGPA001AWZZ	AC		Lug Terminal
	LG4	QLUGPA001AWZZ	AC		Lug Terminal
	LUG WIRE	QCWN1860AWZZ	AC		Lug Wire
	LUG WIRE	QCWNNA139AWPZ	AC		Lug Wire
	LUG2	QCWNNA527AWPZ	AC		Lug Wire
	LUG3	QLUGP0002AWZZ	AB		Lug Terminal
△	RL841	RRLYDA002AWZZ	AF		Relay, Power
	RL914	RRLYD0016AWZZ	AH		Relay,Speaker
	RX701	VHLK2013TH2E1	AG		Remote Sensor, 2013TH2E
	SO901	QTANA0424AWZZ	AE		Terminal,Speaker
	SW701	92LSWICH1401AT	AC		Switch,Key Type [POWER]
	SW702	92LSWICH1401AT	AC		Switch,Key Type [CD]
	SW703	92LSWICH1401AT	AC		Switch,Key Type [TUNER (BAND)]
	SW704	92LSWICH1401AT	AC		Switch,Key Type [AUX]
	SW705	92LSWICH1401AT	AC		Switch,Key Type [TAPE]
	SW707	92LSWICH1401AT	AC		Switch,Key Type [PLAY/PAUSE]
	SW708	92LSWICH1401AT	AC		Switch,Key Type [PRESET UP]
	SW709	92LSWICH1401AT	AC		Switch,Key Type [PRESET DOWN]
	SW710	92LSWICH1401AT	AC		Switch,Key Type [STOP]
	SW711	92LSWICH1401AT	AC		Switch,Key Type [DISC 1]
	SW712	92LSWICH1401AT	AC		Switch,Key Type [DISC 2]
	SW713	92LSWICH1401AT	AC		Switch,Key Type [DISC 3]
	SW714	92LSWICH1401AT	AC		Switch,Key Type [DISC 4]
	SW715	92LSWICH1401AT	AC		Switch,Key Type [DISC 5]
	SW716	92LSWICH1401AT	AC		Switch,Key Type [CD OPEN / CLOSE]
	TP1	RTUNSA007AWZZ	BA		Tuner Pack
	WIRE_A	QCWN2593AWZZ	AB		Single Wire, 80 mm
	WTM901	QCNCW019EAWZZ	AB		Socket,5Pin

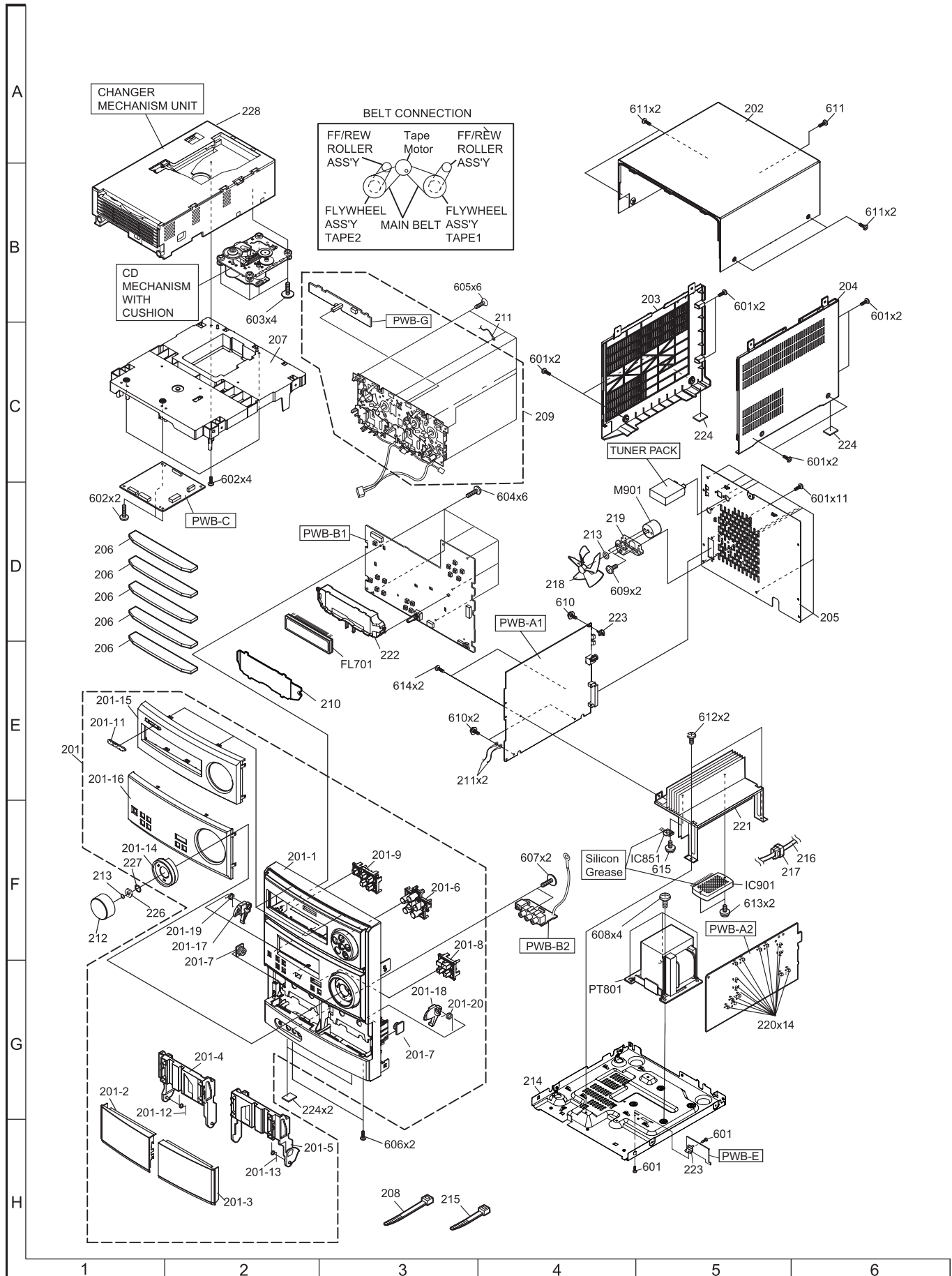
[10] CHANGER MECHANISM/CD MECHANISM PARTS



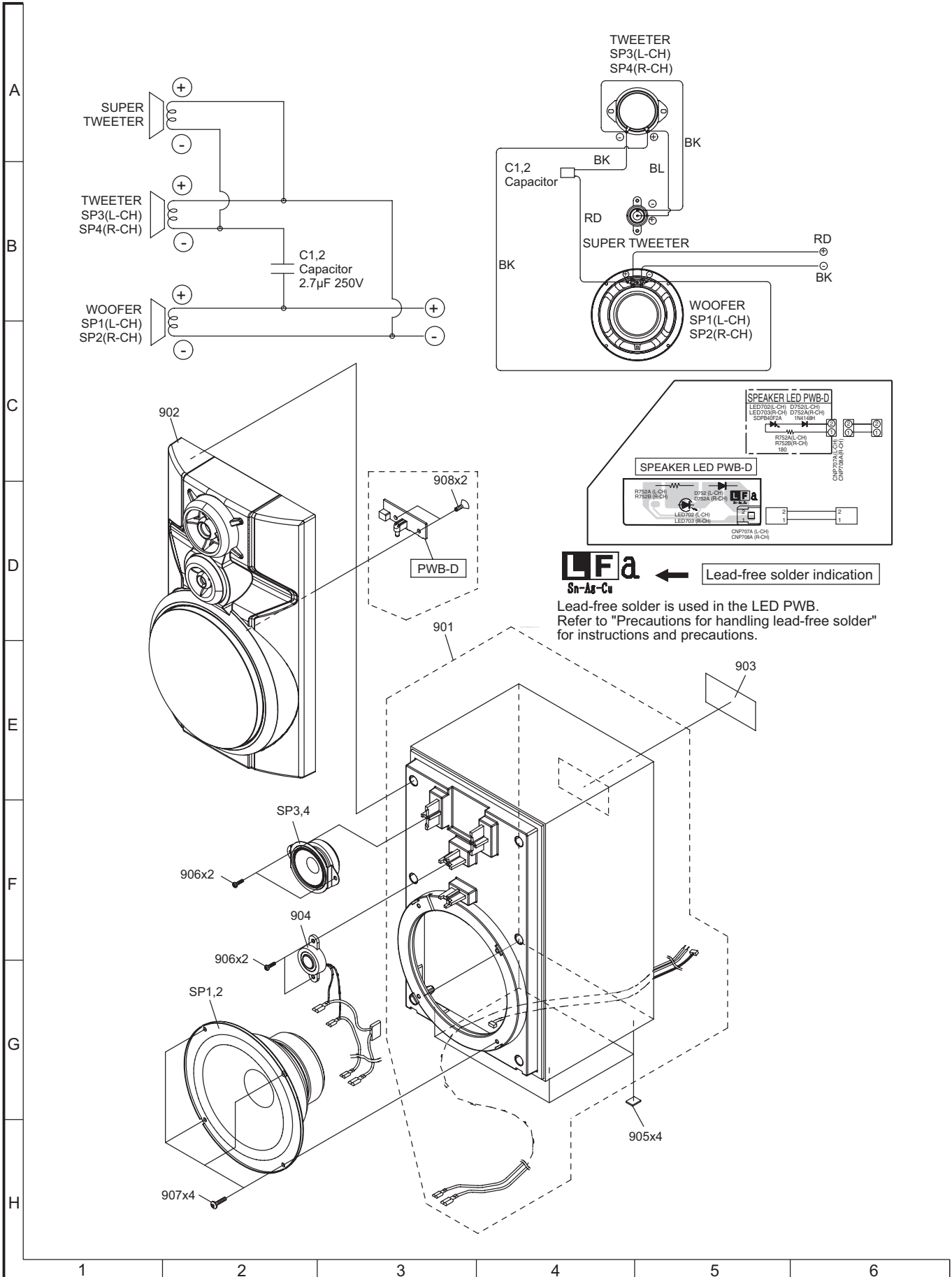
NO.	PARTS CODE	PRICE RANK	NEW MARK	PART RANK	DESCRIPTION
[10] CHANGER MECHANISM/CD MECHANISM PARTS					
101	GCOVA1513AWZZ	AF			Disc Tray
102	GCOVA1514AWZZ	AF			Guide Tray
103	LANGG0008AWZZ	AD			Outer Tray Guide
104	LANGG0009AWZZ	AC			Inner Tray Guide
105	LCHSM0194AWZZ	AP			Main Base
106	LHLDZA144AWZZ	AF			CD Mechanism Holder
107	LPLTP0014AWZZ	AK			Top Plate
108	LPLTP0015AWZZ	AG			Gear Plate
109	MHOLD6663ASY	AQ			Up/Down Holder Ass'y
109- 1	LHLDMA009AWZZ	AE			Stabilizer
109- 2	LHLDZA143AWM1	AL			Up/Down Holder Ass'y
109- 3	92LSUPT179D	AA			Magnet Support
109- 4	PMAGF0007AWZZ	AD			Magnet
110	MLEVP0129AWZZ	AC			Tray Lock Lever
111	MLEVP0130AWZZ	AG			Gear Up/Down Board
112	MLEVP0131AWZZ	AD			Mechanism Up/Down Board (L)
113	MLEVP0132AWZZ	AD			Mechanism Up/Down Board (R)
114	MLEVP0133AWZZ	AC			Mechanism Clamp Board
115	MLEVP0134AWZZ	AD			L/R Joint Lever
116	MLEVP0135AWZZ	AC			Tray Set Lever
117	MLEVP0136AWZZ	AC			Mechanism Clamp Switch Lever
118	MLEVP0137AWZZ	AC			Mechanism Clamp Switch Arm
119	MLEVP0138AWZZ	AB			Inner Gear Up/Down Lever
120	MLEVP0139AWZZ	AC			Outer Gear Up/Down Lever
121	MSPRD0044AWFJ	AB			Shift Spring
122	MSPRD0191AWFJ	AC			Disc Stop Spring
123	MSPRD0192AWFJ	AB			Balance Spring
124	NGERH0176AWZZ	AF			Tray Big Gear
125	NGERH0177AWZZ	AC			Tray Front Gear A
126	NGERH0178AWZZ	AC			Tray Front Gear B
127	NGERH0179AWZZ	AC			Tray Rear Gear A
128	NGERH0180AWZZ	AB			Tray Rear Gear B
129	NGERH0181AWZZ	AC			Mechanism Clamp Gear A
130	NGERH0182AWZZ	AC			Mechanism Clamp Joint Gear
131	NGERH0183AWZZ	AC			Mechanism Clamp Board Gear
132	NGERH0184AWZZ	AC			Tray Rear Joint Gear A
133	NGERH0185AWZZ	AC			Tray Rear Joint Gear B
134	NGERH0186AWZZ	AC			Tray Rear Joint Gear C
135	NGERH0187AWZZ	AB			Tray Rear Drive Gear
136	NGERH0188AWZZ	AC			Tray Drive Gear
137	NGERH0189AWZZ	AB			Tray Front Drive Gear
138	NGERH0190AWZZ	AC			Tray Front Joint Gear
139	NGERH0191AWZZ	AE			Mode Big Gear
140	NGERH0192AWZZ	AC			G-Up/Down Gear A
141	NGERH0193AWZZ	AC			G-Up/Down Gear B
142	NGERH0194AWZZ	AB			Mechanism Up/Down Gear A
143	NGERH0195AWZZ	AC			Mechanism Up/Down Gear B
144	NGERH0196AWZZ	AC			Mechanism Clamp Switch Gear
145	NGERH0198AWZZ	AB			Reduction Gear A
146	NGERH0199AWZZ	AB			Reduction Gear B
147	NGERH0200AWZZ	AB			Reduction Gear C
148	NGERH0201AWZZ	AB			Reduction Gear D
149	NGERH0202AWZZ	AB			Up/Down Reduction Gear E
150	NGERH0203AWZZ	AB			Up/Down Reduction Gear F
151	NGERH0204AWZZ	AB			Tray Reduction Gear E
152	NSFTT0084AWFD	AD			Shaft,Main Base
301	KMECZA004AWZZ	AY			CD Mechanism Unit
302	PCUSG0004AWSA	AD			Cushion
303	PCUSGA099AWSA	AC			Cushion
304	PCUSG0001AWSA	AD			Cushion
801	LX-BZA006AWF7	AB			Screw,Special
802	LX-EZ0005AWF7	AB			Screw,Special
803	XEBY720P08000	AA			Screw,M2x8mm
804	XEBY730P10000	AA			Screw,M3x10mm
M1	MTR6663BASY	AQ			Motor with Gear [Tray]
M2	MTR6663BASY	AQ			Motor with Gear [Main Clamp]
SW1	QSW-P9003AWZZ	AD			Switch,Push Type [CLAMP]
SW2	QSW-P9003AWZZ	AD			Switch,Push Type [TRAY SW1]
SW3	QSW-P9003AWZZ	AD			Switch,Push Type [TRAY SW2]
SW4	QSW-P9006AWZZ	AF			Switch,Push Type [DISC]

NOTE:
FOR CHANGER MECHANISM PARTS, ITEM NO. ARE 1XX
FOR CD MECHANISM PARTS, ITEM NO. ARE 3XX

CD-MPX850
 [11] CABINET PARTS



NO.	PARTS CODE	PRICE RANK	NEW MARK	PART RANK	DESCRIPTION
[11] CABINET PARTS					
201	CCABA6736AW01	BB			Front Panel Ass'y
201-1	-----	----			Front Panel
201-2	GCOVAA167AWSB	AG			Cover, Cassette [Tape 1]
201-3	GCOVAA168AWSB	AG			Cover, Cassette [Tape 2]
201-4	GDORF0127AWSA	AE			Holder, Cassette [Tape 1]
201-5	GDORF0128AWSA	AE			Holder, Cassette [Tape 2]
201-6	JKNBZA184AWSA	AE			Button, Disc Number
201-7	MLIF-A001AWZZ	AD			Damper
201-8	JKNBZA186AWSA	AE			Button, Operation
201-9	JKNBZA185AWSA	AE			Button, Function & Power
201-11	HBDGB1007AWSA	AD			Badge, SHARP
201-12	MSPRDA002AWFJ	AB			Spring, Cassette [Tape 1]
201-13	MSPRDA003AWFJ	AB			Spring, Cassette [Tape 2]
201-14	HDECQA246AWSA	AD			Volume Knob Ring
201-15	HDECQA343AWSA	AH			Decoration Panel, A
201-16	HDECQA363AWSA	AH			Decoration Panel, B
201-17	MLOK0014AWZZ	AC			Lock, Cassette [Tape 1]
201-18	MLOK0015AWZZ	AC			Lock, Cassette [Tape 2]
201-19	MSPRD0196AWFJ	AB			Spring, Cassette Lock [Tape 1]
201-20	MSPRD0197AWFJ	AC			Spring, Cassette Lock [Tape 2]
202	GCAB-A036AWSA	AU			Top Cabinet
203	GiTASA142AWSA	AN			Side Panel, Left
204	GiTASA143AWSA	AN			Side Panel, Right
205	GITARA435AWSA	AN			Rear Panel
206	GCOVAA139AWSA	AD			Disc Tray Cover
207	LCHSZA011AWSA	AP			Chassis, Changer Unit
208	92LNBAND1318A	AA			Nylon Band, 80mm
209	KMECBA012AWZZ	BB			Tape Mechanism Ass'y
210	HDECQ1110AWSA	AF			Panel, Edge Light
211	QCNWN1860AWZZ	AC			Lug Wire
212	JKNBKA022AWSA	AM			Knob, Volume
213	92LCSPR1431C	AA			Spring, Ring
214	LCHSMA068AWFW	AR			Chassis, Main
215	LBNB-1011AWZZ	AA			Nylon Band
△	216	QACDA002AWZZ	AN		AC Power Supply Cord
	217	LBSHC0005AWZZ	AD		Bushing, AC Power Supply Cord
	218	NFANP0001AWZZ	AD		Rotary, Fan
△	219	LANGK0437AWFW	AE		Bracket, Fan Support A
	220	92LFSHOLD1652T	AB		Holder, Fuse
	221	PRDARA139AWFW	AV		Heat Sink, Main
	222	LHLDZ902AWZZ	AD		Holder, FL Display
	223	LANGT0042AWFW	AC		Bracket, PWB support
	224	PCUSG0022AWZZ	AB		Cushion, Leg
	226	-----	----		Nut (Not Replacement Item)
	227	-----	----		Washer (Not Replacement Item)
	228	CDCMECA6663SRC	BK		Changer Mechanism Unit
	601	XJBY730P10000	AA		Screw, M3 X10mm
	602	XEBY730P10000	AA		Screw, M3 X10mm
	603	LX-EZ0005AWF7	AB		Screw, M2.6 X10mm
	604	XEBY726P10000	AA		Screw, M2.6 X10mm
	605	XESY730P10000	AA		Screw, M3 X10mm
	606	XJSY730P08000	AA		Screw, M3 X8mm
	607	LX-EZ0010AWF7	AB		Screw, Special
	608	XHBY740P08000	AB		Screw, M4 X8mm
	609	XBBY720P04000	AA		Screw, M2 X4mm
	610	LX-JZ0010AFF7	AB		Screw, M3 X10mm
	611	XEBY730P12000	AA		Screw, M3 X12mm
	612	XHBY730P06000	AB		Screw, M3 X6mm
	613	LX-JZ0037AWF7	AC		Screw, M3 X18mm
	614	LX-JZ0044AWF8	AB		Screw, M3 X10mm
	615	LX-JZ0036AWF7	AC		Screw, M3 X12mm
M901	RMOTVA015AWZZ	AH			Motor, Air cooling Fan

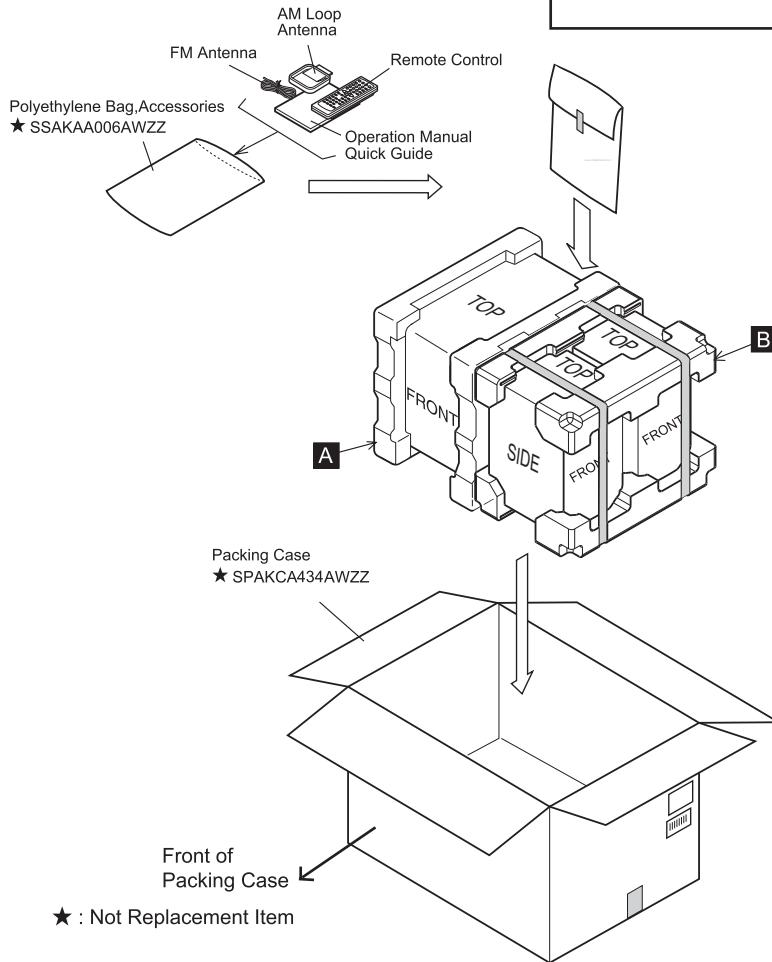
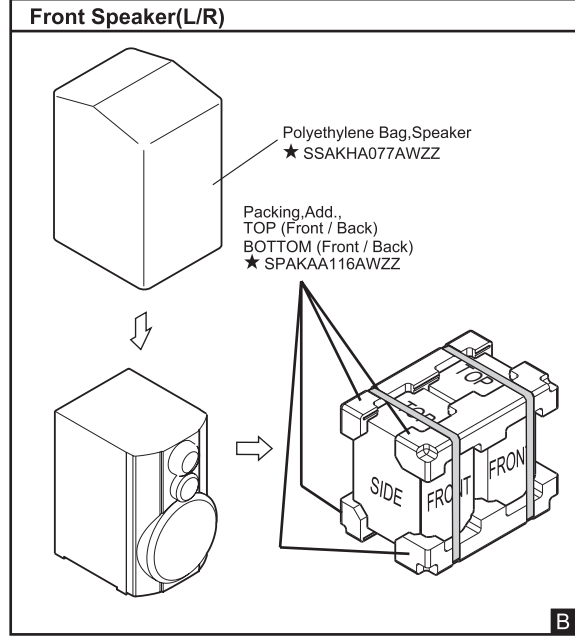
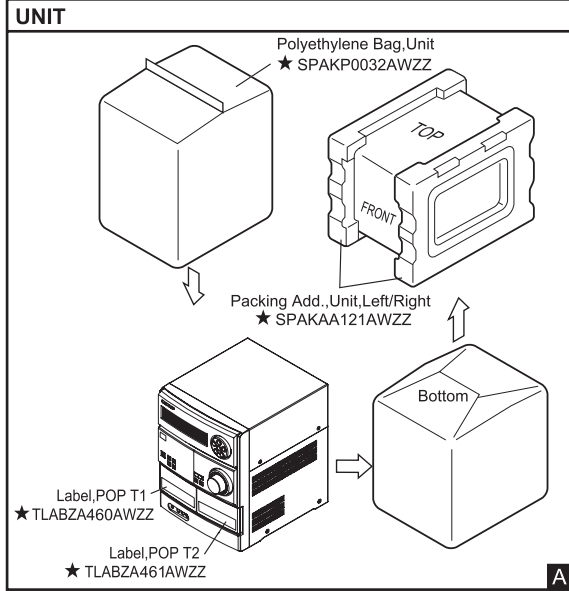


NO.	PARTS CODE	PRICE RANK	NEW MARK	PART RANK	DESCRIPTION
[12] SPEAKERS BOX PARTS					
901	GBOXSA125AW01	BH			Wooden Box Ass'y
902	CPNLSA055AW03	AY			Front Panel Ass'y
903	TSPC-A692AWZZ	AC			Label, Specification
904	LHLDZA162AWM1	AQ			Super Tweeter Ass'y
905	PCUSGA020AWZZ	AB			Cushion, Leg
906	XEBY730P10000	AA			Screw, M3 x10mm
907	XEPY740P16000	AB			Screw, M4 x16mm
908	XESY730P10000	AA			Screw, M3 x10mm
SP1,2	RSP-ZA236AWZZ	BD			Woofers
SP3,4	RSP-ZA179AWZZ	AR			Tweeter
[13] ACCESSORIES					
	QANTL0010AWZZ	AP			AM Loop Antenna
	92LFANT1535A	AF			FM Antenna
	RRMCGA122AWSA	AR			Remote Control
	SPAKAA121AWZZ	AN			Packing Add., Unit, Left/Right
	SPAKAA116AWZZ	AL			Packing Add., Front Speaker, Top/Bottom
	SPAKCA434AWZZ	AW			Packing Case
	SSAKAA006AWZZ	AB			Polyethylene Bag, Accessories
	SPAKP0032AWZZ	AF			Polyethylene Bag, Unit
	SSAKHA077AWZZ	AD			Polyethylene Bag, Front Speaker
	TINSEA161AWZZ	AF			Operation Manual
	TINSZA245AWZZ	AD			Quick Guide
	TLABZA460AWZZ	AC			Label, Pop, Tape 1
	TLABZA461AWZZ	AC			Label, Pop, Tape 2
[14] P.W.B. ASSEMBLY (Not Replacement Item)					
△	PWB-A	92LPWB6736MANS	-		Main A1 / Power A2
	PWB-B	92LPWB6736DPLS	-		Display B1 / Game Input B2
	PWB-C	92LPWB6700CDUS	-		CD MP3
	PWB-D	92LPWB6274LEDS	-		Speaker LED
	PWB-E	92LPWB6736FLSS	-		Re-Flash
	PWB-F	QPWBF1055AWZZ	AE		CD Changer Motor (PWB Only)
	PWB-G	-----	-		Tape Mechanism (PWB Only)
[15] OTHER SERVICE PARTS					
	UDSKA0004AFZZ	AZ			CD Optical Pickup Lens Cleaner Disc

PACKING METHOD

Setting position of switches and knobs

Tape Mechanism	STOP
----------------	------



" HOW TO ORDER REPLACEMENT PARTS"

To have your order filled promptly and correctly, please furnish the following information.

- | | |
|-----------------|----------------|
| 1. MODEL NUMBER | 2. REF. No. |
| 3. PART NO. | 4. DESCRIPTION |

For U.S.A. only
 Contact your nearest SHARP Parts Distributor to order.

For location of SHARP Parts Distributor,
 Please call Toll-Free;
 1-800-BE-SHARP

★ MARK: SPARE PARTS-DELIVERY SECTION

Explanation of capacitors/resistors parts codes

Capacitors

- VCC Ceramic type
- VCK Ceramic type
- VCT Semiconductor type
- VC •• MF Cylindrical type (without lead wire)
- VC •• MN Cylindrical type (without lead wire)
- VC •• TV Square type (without lead wire)
- VC •• TQ Square type (without lead wire)
- VC •• CY Square type (without lead wire)
- VC •• CZ Square type (without lead wire)
- VC J .. The 13th character represents capacity difference.
 ("J" ±5%, "K" ±10%, "M" ±20%, "N" ±30%,
 "C" ±0.25 pF, "D" ±0.5 pF, "Z" +80-20%.)

If there are no indications for the electrolytic capacitors, error is ±20%.

Resistors

- VRD Carbon-film type
- VRS Carbon-film type
- VRN Metal-film type
- VR •• MF Cylindrical type (without lead wire)
- VR •• MN Cylindrical type (without lead wire)
- VR •• TV Square type (without lead wire)
- VR •• TQ Square type (without lead wire)
- VR •• CY Square type (without lead wire)
- VR •• CZ Square type (without lead wire)
- VR J .. The 13th character represents error.
 ("J" ±5%, "F" ±1%, "D" ±0.5%.)

If there are no indications for other parts, the resistors are ±5% carbon-film type.

