

# SEI CAPACITORS

SEI Capacitors, Inc.

335 Beinoris Drive, Wood Dale, IL 60191

Phone: 773-774-6666

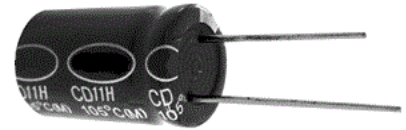
Fax: 773-774-6690

www.capacitorindustries.com

## CD11H SERIES

Aluminum Electrolytic Capacitors

- Features:
- Long rated life of 2,000 hours at 105 °C
  - High ripple current
  - High stability and reliability
  - Downsized and suited for electronic ballast



## SPECIFICATION

Operating Temperature Range (°C)	-40 ~ +105														
Rated Voltage Range (V)	160 ~ 450														
Nominal Capacitance Range (uF)	1 ~ 330														
Capacitance Tolerance (20 °C, 120 Hz)	± 20%														
Leakage Current (uA)(20 °C)	$CV \leq 1000, I \leq 0.1CV + 40\mu A$ (1 minute) $CV > 1000, I \leq 0.4CV + 100\mu A$ (1 minute) C = Nominal capacitance (uF); V = Rated voltage (V)														
Dissipation Factor (20 °C, 120 Hz)	<table border="1"><thead><tr><th>Rated Voltage (V)</th><th>160</th><th>200</th><th>250</th><th>350</th><th>400</th><th>450</th></tr></thead><tbody><tr><td>D.F.</td><td>0.20</td><td>0.20</td><td>0.20</td><td>0.24</td><td>0.24</td><td>0.24</td></tr></tbody></table>	Rated Voltage (V)	160	200	250	350	400	450	D.F.	0.20	0.20	0.20	0.24	0.24	0.24
Rated Voltage (V)	160	200	250	350	400	450									
D.F.	0.20	0.20	0.20	0.24	0.24	0.24									
Load Life (+105 °C)	<table border="1"><thead><tr><th>Time</th><th>D ≤ Ø8: 1,000 hours; D ≥ Ø10: 2,000 hours</th></tr></thead><tbody><tr><td>Leakage Current</td><td>Not more than the initial specified value</td></tr><tr><td>Capacitance Change</td><td>Within ± 20% of the initial value</td></tr><tr><td>Dissipation Factor</td><td>Not more than 200% of the specified value</td></tr></tbody></table>	Time	D ≤ Ø8: 1,000 hours; D ≥ Ø10: 2,000 hours	Leakage Current	Not more than the initial specified value	Capacitance Change	Within ± 20% of the initial value	Dissipation Factor	Not more than 200% of the specified value						
Time	D ≤ Ø8: 1,000 hours; D ≥ Ø10: 2,000 hours														
Leakage Current	Not more than the initial specified value														
Capacitance Change	Within ± 20% of the initial value														
Dissipation Factor	Not more than 200% of the specified value														
Shelf Life (+105 °C)	After leaving capacitors under no load for 1000 hours, they meet the specified value for load life characteristics listed above. After test: Rated voltage to be applied for 30 minutes, 24 to 48 hours before measurement.														

# SEI-CAPACITORS

SEI Capacitors, Inc.

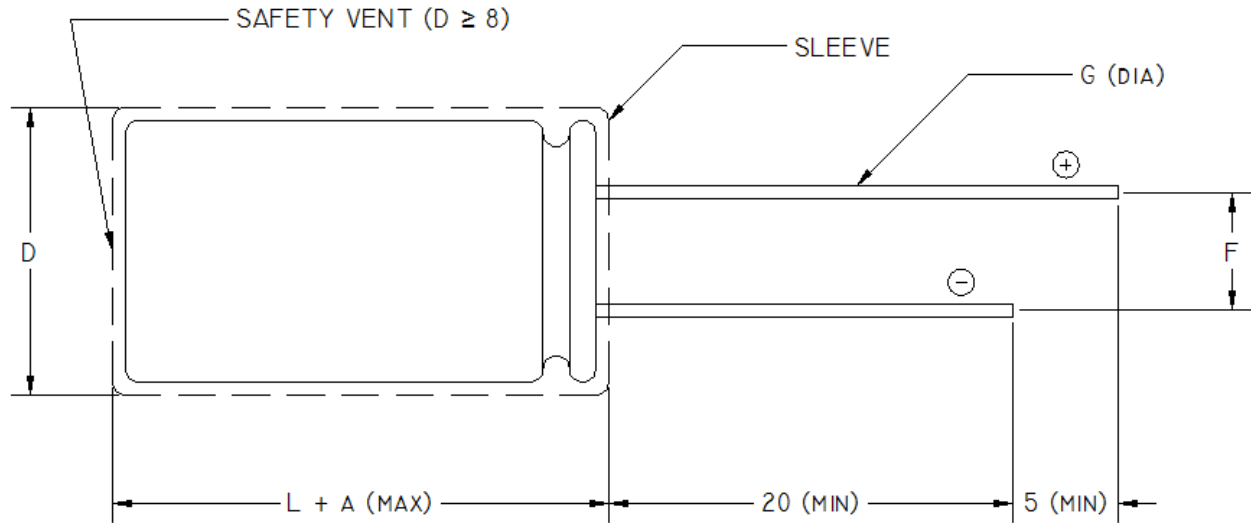
335 Beinoris Drive, Wood Dale, IL 60191

Phone: 773-774-6666

Fax: 773-774-6690

www.capacitorindustries.com

## DIMENSIONS



Dimensions are in millimeters (mm)

$D \pm 0.5$	6.3	8	10	12.5	16	18
$F \pm 0.5$	2.5	3.5	5.0	5.0	7.5	7.5
$G \pm 0.1$	0.5	0.6	0.6	0.6	0.8	0.8
A	1.0		1.0 ( $L < 16$ ); 2.0 ( $L \geq 16$ )			

Lead spacing and diameter

## RIPPLE CURRENT MULTIPLIER

Freq (Hz) \ Cap (uF)	50	120	500	1K	10K
1 ~ 47	0.80	1.00	1.20	1.30	1.50
100 ~ 330	0.80	1.00	1.10	1.15	1.20

Frequency Coefficient

Temperature (°C)	+70	+85	+105
Factor	1.8	1.4	1.0

Temperature Coefficient

# SEI CAPACITORS

SEI Capacitors, Inc.

335 Beinoris Drive, Wood Dale, IL 60191

Phone: 773-774-6666

Fax: 773-774-6690

www.capacitorindustries.com

## STANDARD RATINGS

WV Cap (uF)	160		200		250	
	D x L (mm)	Ripple (mA)	D x L (mm)	Ripple (mA)	D x L (mm)	Ripple (mA)
1	-	-	-	-	6.3 x 11.5	13
2.2	-	-	-	-	6.3 x 11.5	23
3.3	-	-	6.3 x 11.5	26	6.3 x 11.5	35
					8 x 11.5	42
4.7	6.3 x 11.5	35	6.3 x 11.5	40	8 x 11.5	50
			8 x 11.5	50		
10	8 x 11.5	60	10 x 12.5	70	10 x 12.5	75
			10 x 16	88	10 x 16	88
22	10 x 16	110	10 x 20	125	10 x 20	130
	10 x 20	195			12.5 x 20	155
33	10 x 20	145	10 x 20	165	12.5 x 20	170
			12.5 x 20	190		
47	12.5 x 20	220	12.5 x 20	200	12.5 x 25	220
100	12.5 x 25	290	16 x 25	335	16 x 31.5	360
220	16 x 31.5	540	16 x 35.5	580	-	-
	16 x 35.5	580	18 x 35.5	620		
330	18 x 35.5	700	-	-	-	-

WV Cap (uF)	350		400		450	
	D x L (mm)	Ripple (mA)	D x L (mm)	Ripple (mA)	D x L (mm)	Ripple (mA)
1	6.3 x 11.5	16	6.3 x 11.5	15	6.3 x 11.5	15
					8 x 11.5	18
2.2	6.3 x 11.5	25	8 x 11.5	29	10 x 12.5	25
	8 x 11.5	31	10 x 12.5	34		
3.3	8 x 11.5	40	10 x 12.5	40	10 x 12.5	33
	10 x 12.5	45	10 x 16	45	10 x 16	41
4.7	10 x 12.5	50	10 x 16	52	10 x 16	42
			10 x 20	57	10 x 20	49
10	10 x 20	80	10 x 20	85	12.5 x 20	67
			12.5 x 20	96		
22	12.5 x 20	135	12.5 x 25	140	16 x 25	115
	12.5 x 25	150				
33	16 x 25	195	16 x 25	200	16 x 31.5	155
47	16 x 25	230	16 x 31.5	250	16 x 35.5	185
	18 x 31.5	250				
100	18 x 31.5	357	-	-	-	-

Ripple Current (mA RMS): 105 °C, 120 Hz; Specific capacitance and case sizes are available upon request.