

CD293 SERIES

- LOAD LIFE OF 2000 HOURS AT 85
- HIGH RIPPLE CURRENT
- SMALLER SIZE
- PCB MOUNTING

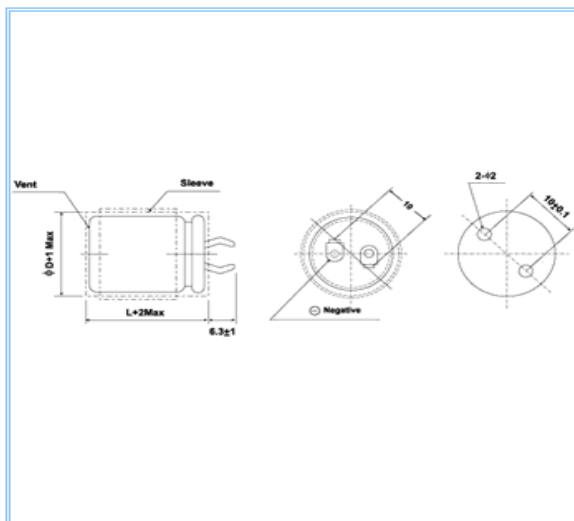
■ SPECIFICATIONS

Item	Characteristics							
Operating Temperature Range (°C)	-40~+85(450WV:-25~+85)							
Capacitance Tolerance (25°C, 120Hz)	± 20%							
Leakage current (μA)	0.01CV or 1.5mA whichever is smaller(at 25°C ,after 5 minutes) C:Nominal Capacitance(μF) V:Rated Voltage(V)							
Dissipation Factor (25°C, 120Hz)	Rated voltage(v)	10-16	25	35-50	63	80-100		
	Cap(μF)							
	2700	-	-	0.20	0.15	0.15		
	3300-4700	-	0.35	0.25	0.20	0.15		
	5600-6800	0.40	0.35	0.30	0.20	0.20		
	8200	0.40	0.35	0.35	0.25			
	Rated voltage (v)	160-200			250-450			
	ΦD(mm)							
	22-30	0.10			0.15			
		0.12			0.15			
Temperature Stability(120Hz)	Rated voltage (v)	10	16-35	50-100	160-200	250-400	450	
	Impedance Ratio	I-25°C/I+20°C	5	4	3	3	4	4
		I-40°C/I+20°C	18	15	10	6	8	
Load Life(+85°C)	Time	2000 hours						
	Leakage Current	Not more than the specified value.						
	Capacitance Change	Within ±20% of the initial value.						
	Dissipation Factor	Not more than 200% of the specified value.						
Shelf Life (+85°C)	Time	1000 hours						
	Leakage Current	Not more than the specified value.						
	Capacitance Change	Within ± 15% of the initial value.						
	Dissipation Factor	Not more than 200% of the specified value.						
After test:U <sub>R</sub> to be applied for 60 minutes, 24 to 48 hours before measurement.								

■ DIMENSIONS

mm

■ MULTIPLIER FOR RIPPLE CURRENT



Frequency coefficient

Frequency(Hz)	50	120	1K	10K	20K
Rated Voltage (V)					
≤ 50	0.95	1	1.10	1.15	1.15
63~100	0.95	1	1.16	1.30	1.33
≥ 160	0.95	1	1.20	1.50	1.55

Temperature coefficient

Temperature(°C)	+40	+55	+70	+85
Rated voltage (V)				
<60	2.1	1.8	1.5	1
≥ 160	1.7	1.5	1.3	1

■ STANDARD RATINGS

ΦD×L (mm)	WV (V)	10		16		25		35		50		63		80		100	
		Cap	Ripple	Cap	Ripple	Cap	Ripple	Cap	Ripple	Cap	Ripple	Cap	Ripple	Cap	Ripple	Cap	Ripple
		μF	Arms	μF	Arms	μF	Arms	μF	Arms	μF	Arms	μF	Arms	μF	Arms	μF	Arms
22×25		10000	2.5	8200	2.2	5600	2.0	3300	1.8	2200	1.7	1500	1.6	1000	1.3	680	1.1
22×30		15000	3.2	10000	2.6	6800	2.3	3900	2.1	2700	1.9	2200	2.0	1200	1.5	820	1.2
22×35		18000	3.6	12000	2.9	8200	2.6	5600	2.3	3900	2.1	2700	2.2	1800	1.9	1200	1.6
22×40		22000	4.0	15000	3.3	10000	2.9	6800	2.9	4700	2.4	3300	2.3	2200	2.1	1500	1.8
22×45		-	-	18000	3.8	12000	3.3	-	-	-	-	3900	2.5	-	-	-	-
22×50		-	-	22000	4.2	-	-	8200	2.8	5600	2.5	-	-	2700	2.5	1800	2.1
25×25		15000	3.1	10000	2.6	6800	2.3	4700	2.2	2700	1.9	2200	2.0	1500	1.7	1000	1.4
25×30		18000	3.6	15000	3.3	10000	2.8	5600	2.3	3900	2.1	2700	2.3	1800	1.9	1200	1.6
25×35		22000	4.1	18000	3.7	12000	3.2	6800	2.6	4700	2.4	3300	2.3	2200	2.2	1500	1.7
25×40		-	-	22000	4.2	15000	3.7	8200	2.8	5600	2.5	3900	2.6	2700	2.5	1800	2.0
25×45		-	-	-	-	-	-	10000	3.1	6800	2.8	5600	3.1	3300	2.8	2200	2.2
25×50		-	-	-	-	18000	4.3	12000	3.5	8200	3.2	-	-	3900	3.1	2700	2.6
30×25		22000	4.1	15000	3.4	10000	3.0	6800	2.7	3900	2.4	3300	2.3	2200	2.2	1500	1.8
30×30		-	-	22000	4.2	12000	3.4	8200	2.8	5600	2.5	3900	2.6	2700	2.5	1800	2.1
30×35		-	-	-	-	18000	4.2	10000	3.2	6800	2.8	5600	3.2	3300	2.8	2200	2.3
30×40		-	-	-	-	22000	4.8	12000	3.5	8200	3.0	6800	3.6	3900	3.2	2700	2.7
30×45		-	-	-	-	-	-	15000	4.1	10000	3.4	-	-	4700	3.6	3300	3.0
30×50		-	-	-	-	-	-	18000	4.6	12000	3.8	8200	3.7	5600	3.5	3900	3.4
35×25		-	-	22000	4.4	15000	3.9	8200	2.9	5600	2.6	3900	2.7	2700	2.5	1800	2.2
35×30		-	-	-	-	18000	4.4	12000	3.6	8200	3.0	5600	3.3	3900	3.2	2200	2.5
35×35		-	-	-	-	22000	5.0	15000	4.1	10000	3.4	6800	3.7	4700	3.6	3300	3.1
35×40		-	-	-	-	-	-	18000	4.7	12000	3.8	8200	3.8	5600	3.5	3900	3.4
35×45		-	-	-	-	-	-	22000	5.3	-	-	10000	4.3	-	-	-	-
35×50		-	-	-	-	-	-	-	-	15000	4.5	12000	4.8	6800	4.1	4700	4.0

ΦD×L (mm)	WV (V)	160		180		200		250		315		350		400		450	
		Cap	Ripple	Cap	Ripple	Cap	Ripple	Cap	Ripple	Cap	Ripple	Cap	Ripple	Cap	Ripple	Cap	Ripple
		μF	Arms	μF	Arms	μF	Arms	μF	Arms	μF	Arms	μF	Arms	μF	Arms	μF	Arms
22×25		330	1.3	270	1.2	220	1.1	180	0.94	100	0.67	82	0.64	68	0.55	-	-
22×30		390	1.5	330	1.4	330	1.4	220	1.1	150	0.85	120	0.82	100	0.70	68	0.57
22×35		560	1.9	470	1.7	390	1.6	270	1.2	180	0.96	150	0.94	120	0.79	100	0.72
22×40		680	2.1	560	1.9	470	1.8	330	1.4	220	1.1	180	1.1	150	0.90	120	0.80
22×45		-	-	-	-	560	2.0	390	1.6	270	1.2	220	1.2	180	1.0	-	-
22×50		820	2.5	680	2.3	-	-	470	1.8	-	-	-	-	220	1.1	150	0.95
25×25		390	1.5	390	1.5	330	1.4	220	1.1	150	0.85	120	0.81	100	0.70	-	-
25×30		560	1.9	470	1.7	390	1.6	300	1.4	180	0.96	150	0.94	150	0.89	100	0.73
25×35		680	2.2	560	2.0	560	2.0	390	1.6	220	1.1	220	1.2	180	1.0	120	0.83
25×40		820	2.4	680	2.2	680	2.3	470	1.8	270	1.3	-	-	220	1.2	150	0.95
25×45		1000	2.7	820	2.5	-	-	560	2.0	330	1.4	270	1.4	270	1.3	180	1.1
25×50		1200	3.1	1000	2.9	820	2.6	-	-	390	1.6	330	1.6	-	-	220	1.2
30×25		560	2.0	470	1.8	470	1.9	330	1.5	220	1.1	180	1.1	150	0.95	-	-
30×30		820	2.5	680	2.3	560	2.1	470	1.8	270	1.3	220	1.2	180	1.1	150	0.98
30×35		1000	2.8	820	2.6	680	2.4	560	2.0	330	1.4	270	1.4	220	1.2	180	1.1
30×40		1200	3.2	1000	2.9	820	2.7	680	2.3	390	1.6	390	1.7	270	1.4	220	1.3
30×45		1500	3.7	1200	3.3	1000	3.1	820	2.6	470	1.8	470	2.0	330	1.6	270	1.4
30×50		-	-	-	-	1200	3.4	-	-	560	2.0	-	-	390	1.8	-	-
35×25		820	2.4	680	2.2	560	2.0	470	1.9	270	1.3	220	1.3	180	1.2	180	1.2
35×30		1000	2.7	820	2.5	820	2.5	680	2.4	390	1.6	330	1.6	270	1.5	220	1.3
35×35		1200	3.0	1200	3.1	1000	2.8	820	2.6	470	1.8	390	1.8	330	1.7	270	1.5
35×40		1500	3.5	-	-	1200	3.2	1000	3.0	560	2.0	470	2.0	390	1.8	-	-
35×45		1800	3.9	1500	3.6	-	-	1200	3.4	680	2.3	560	2.3	470	2.1	390	1.9
35×50		2200	4.5	1800	4.1	1500	3.8	-	-	-	-	680	2.6	560	2.3	470	2.2

Ripple current: 85°C, 120Hz