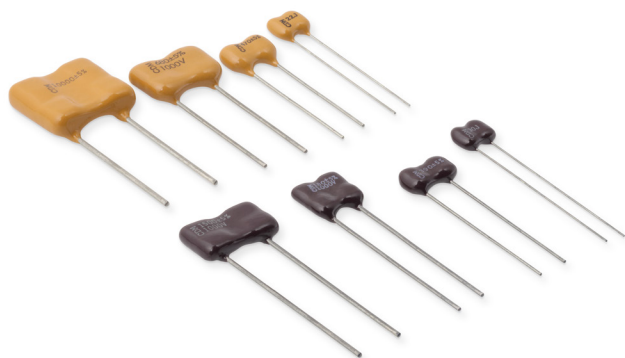


Mica Capacitors, Standard Dipped

Types CD10, D10, CD15, CD19, CD30, CD42, CDV19, CDV30



Stability and mica go hand-in-hand when you need to count on stable capacitance over a wide temperature range. CDE's standard dipped silvered mica capacitors are the first choice for timing and close tolerance applications. These standard types are widely available through distribution.

Highlights

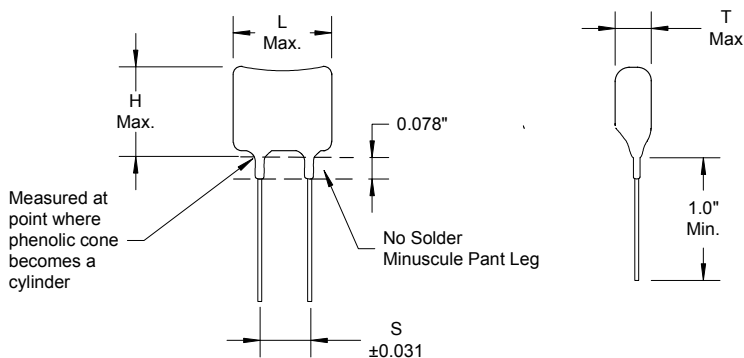
- Reel packaging available
- High temperature – up to +150 °C
- Dimensions meet EIA RS153B specification
- 100,000 V/μs dV/dt pulse capability minimum
- Non-flammable units that meet IEC 695-2-2 are available

Specifications

| | |
|-----------------------------|--|
| Capacitance Range | 1 pF to 91,000 pF |
| Capacitance Tolerance | ±1/2 pF (D), ±1 pF (C), ±1/2% (E), ±1% (F), ±2% (G), ±5% (J) |
| Rated Voltage | 100 Vdc to 2500 Vdc |
| Operating Temperature Range | -55 °C to +125 °C (O) -55 °C to +150 °C (P)* |
| Dielectric Strength Test | 200% of rated voltage |
| RoHS Compliant | |

* P temperature range available for types CD10, CD15, CD19, CD30 and CD42

Dimensions



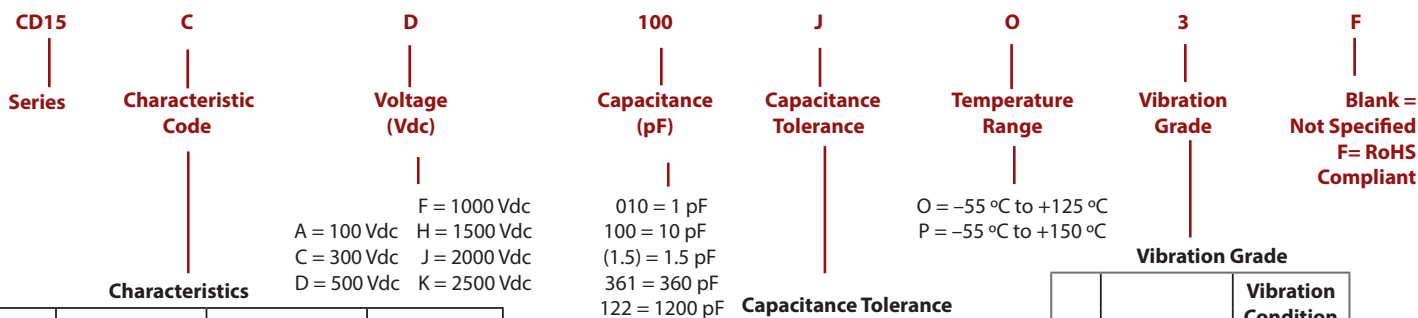
Construction Details

| | |
|-------------------|--|
| Case Material | Epoxy |
| Terminal Material | Copper clad steel, nickel undercoat, 100% tin finish |

Ordering Information

Order by complete part number as below. For other options, write your requirements on your purchase order or request for quotation.

Part Numbering System (Radial-Leaded Silvered Mica Capacitors, except D10*)



| Code | Temp. Coeff. ppm/ °C | Capacitance Drift | Standard Cap. Range |
|------|----------------------|-------------------|---------------------|
| C | -200 to +200 | ±(0.5% + 0.1 pF) | 1–18 pF |
| E | -20 to +100 | ±(0.1% + 0.1 pF) | 20–82 pF |
| F | 0 to +70 | ±(0.05% + 0.1 pF) | 91 pF and up |

| Tol. Code | Tolerance | Capacitance Range |
|-----------|-----------|-------------------|
| C | ±1 pF | 1–9 pF |
| D | ±1/2 pF | 1–99 pF |
| E | ±1/2 % | 100 pF and up |
| F | ±1 % | 50 pF and up |
| G | ±2 % | 25 pF and up |
| H | ±3 % | 18 pF and up |
| J | ±5 % | 10 pF and up |

| No. | MIL-STD-202 | Vibration Condition (Hz) |
|-----|------------------------|--------------------------|
| 3 | Method 204 Condition D | 10 to 2,000 |

Options Available

- Non-flammable units per IEC 695-2-2 are available for standard dipped capacitors. Specify IEC 695-2-2 on your order.
- Tape and reeling, specify per application guide.

Standard tolerance is ±1/2 pF for less than 10 pF and ±5% for 10 pF and up

* Order type D10 using the catalog numbers shown in ratings tables.

Mica Capacitors, Standard Dipped

Types CD10, D10, CD15, CD19, CD30, CD42, CDV19, CDV30

Ratings

| Cap (pF) | Volts (Vdc) | Catalog Part Number | L (in) (mm) | H (in) (mm) | T (in) (mm) | S (in) (mm) | d (in) (mm) |
|-------------|----------------|------------------------|----------------|----------------|----------------|----------------|----------------|
| 1 | 500 | CD10CD010D03F | 0.36 (9.1) | 0.33 (8.4) | 0.19 (4.8) | 0.141 (3.6) | 0.016 (.4) |
| 1 | 500 | CD15CD010D03F | 0.45 (11.4) | 0.36 (9.1) | 0.17 (4.3) | 0.234 (5.9) | 0.025 (.6) |
| 2 | 500 | CD10CD020D03F | 0.36 (9.1) | 0.33 (8.4) | 0.19 (4.8) | 0.141 (3.6) | 0.016 (.4) |
| 2 | 500 | CD15CD020D03F | 0.45 (11.4) | 0.36 (9.1) | 0.17 (4.3) | 0.234 (5.9) | 0.025 (.6) |
| 3 | 500 | CD10CD03F0D03F | 0.36 (9.1) | 0.33 (8.4) | 0.19 (4.8) | 0.141 (3.6) | 0.016 (.4) |
| 3 | 500 | CD15CD03F0D03F | 0.45 (11.4) | 0.36 (9.1) | 0.17 (4.3) | 0.234 (5.9) | 0.025 (.6) |
| 4 | 500 | CD15CD040D03F | 0.45 (11.4) | 0.36 (9.1) | 0.17 (4.3) | 0.234 (5.9) | 0.025 (.6) |
| 5 | 500 | CD10CD050D03F | 0.36 (9.1) | 0.33 (8.4) | 0.19 (4.8) | 0.141 (3.6) | 0.016 (.4) |
| 5 | 500 | CD15CD050D03F | 0.45 (11.4) | 0.36 (9.1) | 0.17 (4.3) | 0.234 (5.9) | 0.025 (.6) |
| 5 | 1,000 | CDV19CF050D03F | 0.64 (16.3) | 0.50 (12.7) | 0.19 (4.8) | 0.344 (8.7) | 0.032 (.8) |
| 6 | 500 | CD10CD060D03F | 0.36 (9.1) | 0.33 (8.4) | 0.19 (4.8) | 0.141 (3.6) | 0.016 (.4) |
| 6 | 500 | CD15CD060D03F | 0.45 (11.4) | 0.36 (9.1) | 0.17 (4.3) | 0.234 (5.9) | 0.025 (.6) |
| 6 | 1,000 | CDV19CF060D03F | 0.64 (16.3) | 0.50 (12.7) | 0.19 (4.8) | 0.344 (8.7) | 0.032 (.8) |
| 7 | 500 | CD10CD070D03F | 0.36 (9.1) | 0.33 (8.4) | 0.19 (4.8) | 0.141 (3.6) | 0.016 (.4) |
| 7 | 500 | CD15CD070D03F | 0.45 (11.4) | 0.36 (9.1) | 0.17 (4.3) | 0.234 (5.9) | 0.025 (.6) |
| 7 | 1,000 | CDV19CF070D03F | 0.64 (16.3) | 0.50 (12.7) | 0.19 (4.8) | 0.344 (8.7) | 0.032 (.8) |
| 8 | 500 | CD10CD080D03F | 0.36 (9.1) | 0.33 (8.4) | 0.19 (4.8) | 0.141 (3.6) | 0.016 (.4) |
| 8 | 500 | CD15CD080D03F | 0.45 (11.4) | 0.36 (9.1) | 0.17 (4.3) | 0.234 (5.9) | 0.025 (.6) |
| 8 | 1,000 | CDV19CF080D03F | 0.64 (16.3) | 0.50 (12.7) | 0.19 (4.8) | 0.344 (8.7) | 0.032 (.8) |
| 10 | 500 | CD10CD100J03F | 0.36 (9.1) | 0.33 (8.4) | 0.19 (4.8) | 0.141 (3.6) | 0.016 (.4) |
| 10 | 500 | CD15CD100J03F | 0.45 (11.4) | 0.36 (9.1) | 0.17 (4.3) | 0.234 (5.9) | 0.025 (.6) |
| 10 | 1,000 | CDV19CF100J03F | 0.64 (16.3) | 0.50 (12.7) | 0.19 (4.8) | 0.344 (8.7) | 0.032 (.8) |
| 12 | 500 | CD10CD120J03F | 0.36 (9.1) | 0.33 (8.4) | 0.19 (4.8) | 0.141 (3.6) | 0.016 (.4) |
| 12 | 500 | CD15CD120J03F | 0.45 (11.4) | 0.36 (9.1) | 0.17 (4.3) | 0.234 (5.9) | 0.025 (.6) |
| 12 | 1,000 | CDV19CF120J03F | 0.64 (16.3) | 0.50 (12.7) | 0.19 (4.8) | 0.344 (8.7) | 0.032 (.8) |
| 15 | 500 | CD10CD150J03F | 0.36 (9.1) | 0.33 (8.4) | 0.19 (4.8) | 0.141 (3.6) | 0.016 (.4) |
| 15 | 500 | CD15CD150J03F | 0.45 (11.4) | 0.36 (9.1) | 0.17 (4.3) | 0.234 (5.9) | 0.025 (.6) |
| 15 | 1000 | CDV19CF150J03F | 0.64 (16.3) | 0.50 (12.7) | 0.19 (4.8) | 0.344 (8.7) | 0.032 (.8) |
| 18 | 500 | CD10CD180J03F | 0.36 (9.1) | 0.33 (8.4) | 0.19 (4.8) | 0.141 (3.6) | 0.016 (.4) |
| 18 | 500 | CD15CD180J03F | 0.45 (11.4) | 0.36 (9.1) | 0.17 (4.3) | 0.234 (5.9) | 0.025 (.6) |
| 18 | 1000 | CDV19CF180J03F | 0.64 (16.3) | 0.50 (12.7) | 0.19 (4.8) | 0.344 (8.7) | 0.032 (.8) |
| 20 | 500 | CD10ED200J03F | 0.36 (9.1) | 0.33 (8.4) | 0.19 (4.8) | 0.141 (3.6) | 0.016 (.4) |
| 20 | 500 | CD15ED200J03F | 0.45 (11.4) | 0.36 (9.1) | 0.17 (4.3) | 0.234 (5.9) | 0.025 (.6) |
| 20 | 1000 | CDV19EF200J03F | 0.64 (16.3) | 0.50 (12.7) | 0.19 (4.8) | 0.344 (8.7) | 0.032 (.8) |
| 22 | 500 | CD10ED220J03F | 0.36 (9.1) | 0.33 (8.4) | 0.19 (4.8) | 0.141 (3.6) | 0.016 (.4) |
| 22 | 500 | CD15ED220J03F | 0.45 (11.4) | 0.36 (9.1) | 0.17 (4.3) | 0.234 (5.9) | 0.025 (.6) |
| 22 | 1000 | CDV19EF220J03F | 0.64 (16.3) | 0.50 (12.7) | 0.19 (4.8) | 0.344 (8.7) | 0.032 (.8) |
| 24 | 500 | CD10ED240J03F | 0.36 (9.1) | 0.33 (8.4) | 0.19 (4.8) | 0.141 (3.6) | 0.016 (.4) |
| 24 | 500 | CD15ED240J03F | 0.45 (11.4) | 0.36 (9.1) | 0.17 (4.3) | 0.234 (5.9) | 0.025 (.6) |
| 24 | 1000 | CDV19EF240J03F | 0.64 (16.3) | 0.50 (12.7) | 0.19 (4.8) | 0.344 (8.7) | 0.032 (.8) |
| 24 | 1,500 | CDV30EH240J03F | 0.77 (19.6) | 0.85 (21.6) | 0.25 (6.4) | 0.438 (11.1) | 0.040 (1.0) |
| 24 | 2000 | CDV30EJ240J03F | 0.77 (19.6) | 0.86 (21.8) | 0.25 (6.4) | 0.438 (11.1) | 0.040 (1.0) |
| 24 | 2500 | CDV30EK240J03F | 0.78 (19.8) | 0.86 (21.8) | 0.25 (6.4) | 0.438 (11.1) | 0.040 (1.0) |
| 27 | 500 | CD10ED270J03F | 0.37 (9.4) | 0.33 (8.4) | 0.19 (4.8) | 0.141 (3.6) | 0.016 (.4) |
| 27 | 500 | CD15ED270J03F | 0.45 (11.4) | 0.36 (9.1) | 0.17 (4.3) | 0.234 (5.9) | 0.025 (.6) |

Mica Capacitors, Standard Dipped

Types CD10, D10, CD15, CD19, CD30, CD42, CDV19, CDV30

| Cap (pF) | Volts (Vdc) | Catalog Part Number | L (in) (mm) | H (in) (mm) | T (in) (mm) | S (in) (mm) | d (in) (mm) |
|-------------|----------------|------------------------|----------------|----------------|----------------|----------------|----------------|
| 27 | 1000 | CDV19EF270J03F | 0.64 (16.3) | 0.50 (12.7) | 0.19 (4.8) | 0.344 (8.7) | 0.032 (.8) |
| 27 | 1500 | CDV30EH270J03F | 0.77 (19.6) | 0.85 (21.6) | 0.25 (6.4) | 0.438 (11.1) | 0.040 (1.0) |
| 27 | 2000 | CDV30EJ270J03F | 0.77 (19.6) | 0.86 (21.8) | 0.25 (6.4) | 0.438 (11.1) | 0.040 (1.0) |
| 27 | 2500 | CDV30EK270J03F | 0.78 (19.8) | 0.86 (21.8) | 0.25 (6.4) | 0.438 (11.1) | 0.040 (1.0) |
| 30 | 500 | CD10ED300J03F | 0.37 (9.4) | 0.34 (8.6) | 0.19 (4.8) | 0.141 (3.6) | 0.016 (.4) |
| 30 | 500 | CD15ED300J03F | 0.45 (11.4) | 0.36 (9.1) | 0.17 (4.3) | 0.234 (5.9) | 0.025 (.6) |
| 30 | 1000 | CDV19EF300J03F | 0.64 (16.3) | 0.50 (12.7) | 0.19 (4.8) | 0.344 (8.7) | 0.032 (.8) |
| 30 | 1500 | CDV30EH300J03F | 0.77 (19.6) | 0.85 (21.6) | 0.25 (6.4) | 0.438 (11.1) | 0.040 (1.0) |
| 30 | 2000 | CDV30EJ300J03F | 0.77 (19.6) | 0.86 (21.8) | 0.25 (6.4) | 0.438 (11.1) | 0.040 (1.0) |
| 30 | 2,500 | CDV30EK300J03F | 0.78 (19.8) | 0.86 (21.8) | 0.25 (6.4) | 0.438 (11.1) | 0.040 (1.0) |
| 33 | 500 | CD10ED330J03F | 0.37 (9.4) | 0.34 (8.6) | 0.19 (4.8) | 0.141 (3.6) | 0.016 (.4) |
| 33 | 500 | CD15ED330J03F | 0.45 (11.4) | 0.36 (9.1) | 0.17 (4.3) | 0.234 (5.9) | 0.025 (.6) |
| 33 | 1,000 | CDV19EF330J03F | 0.64 (16.3) | 0.50 (12.7) | 0.19 (4.8) | 0.344 (8.7) | 0.032 (.8) |
| 33 | 1500 | CDV30EH330J03F | 0.77 (19.6) | 0.85 (21.6) | 0.25 (6.4) | 0.438 (11.1) | 0.040 (1.0) |
| 33 | 2000 | CDV30EJ330J03F | 0.77 (19.6) | 0.86 (21.8) | 0.25 (6.4) | 0.438 (11.1) | 0.040 (1.0) |
| 33 | 2,500 | CDV30EK330J03F | 0.78 (19.8) | 0.86 (21.8) | 0.25 (6.4) | 0.438 (11.1) | 0.040 (1.0) |
| 36 | 500 | CD10ED360J03F | 0.37 (9.4) | 0.34 (8.6) | 0.19 (4.8) | 0.141 (3.6) | 0.016 (.4) |
| 36 | 500 | CD15ED360J03F | 0.45 (11.4) | 0.36 (9.1) | 0.17 (4.3) | 0.234 (5.9) | 0.025 (.6) |
| 36 | 1,000 | CDV19EF360J03F | 0.64 (16.3) | 0.50 (12.7) | 0.19 (4.8) | 0.344 (8.7) | 0.032 (.8) |
| 36 | 1500 | CDV30EH360J03F | 0.77 (19.6) | 0.85 (21.6) | 0.25 (6.4) | 0.438 (11.1) | 0.040 (1.0) |
| 36 | 2000 | CDV30EJ360J03F | 0.77 (19.6) | 0.86 (21.8) | 0.25 (6.4) | 0.438 (11.1) | 0.040 (1.0) |
| 36 | 2,500 | CDV30EK360J03F | 0.78 (19.8) | 0.86 (21.8) | 0.25 (6.4) | 0.438 (11.1) | 0.040 (1.0) |
| 39 | 500 | CD10ED390J03F | 0.37 (9.4) | 0.34 (8.6) | 0.19 (4.8) | 0.141 (3.6) | 0.016 (.4) |
| 39 | 500 | CD15ED390J03F | 0.45 (11.4) | 0.36 (9.1) | 0.17 (4.3) | 0.234 (5.9) | 0.025 (.6) |
| 39 | 1,000 | CDV19EF390J03F | 0.64 (16.3) | 0.50 (12.7) | 0.19 (4.8) | 0.344 (8.7) | 0.032 (.8) |
| 39 | 1500 | CDV30EH390J03F | 0.77 (19.6) | 0.85 (21.6) | 0.25 (6.4) | 0.438 (11.1) | 0.040 (1.0) |
| 39 | 2000 | CDV30EJ390J03F | 0.77 (19.6) | 0.86 (21.8) | 0.25 (6.4) | 0.438 (11.1) | 0.040 (1.0) |
| 39 | 2500 | CDV30EK390J03F | 0.78 (19.8) | 0.86 (21.8) | 0.25 (6.4) | 0.438 (11.1) | 0.040 (1.0) |
| 43 | 500 | CD10ED430J03F | 0.37 (9.4) | 0.34 (8.6) | 0.19 (4.8) | 0.141 (3.6) | 0.016 (.4) |
| 43 | 500 | CD15ED430J03F | 0.45 (11.4) | 0.36 (9.1) | 0.17 (4.3) | 0.234 (5.9) | 0.025 (.6) |
| 43 | 1000 | CDV19EF430J03F | 0.64 (16.3) | 0.50 (12.7) | 0.19 (4.8) | 0.344 (8.7) | 0.032 (.8) |
| 43 | 1500 | CDV30EH430J03F | 0.77 (19.6) | 0.85 (21.6) | 0.25 (6.4) | 0.438 (11.1) | 0.040 (1.0) |
| 43 | 2000 | CDV30EJ430J03F | 0.77 (19.6) | 0.86 (21.8) | 0.25 (6.4) | 0.438 (11.1) | 0.040 (1.0) |
| 43 | 2500 | CDV30EK430J03F | 0.78 (19.8) | 0.86 (21.8) | 0.25 (6.4) | 0.438 (11.1) | 0.040 (1.0) |
| 47 | 500 | CD10ED470J03F | 0.37 (9.4) | 0.34 (8.6) | 0.19 (4.8) | 0.141 (3.6) | 0.016 (.4) |
| 47 | 500 | CD15ED470J03F | 0.45 (11.4) | 0.36 (9.1) | 0.17 (4.3) | 0.234 (5.9) | 0.025 (.6) |
| 47 | 1000 | CDV19EF470J03F | 0.64 (16.3) | 0.50 (12.7) | 0.19 (4.8) | 0.344 (8.7) | 0.032 (.8) |
| 47 | 1,500 | CDV30EH470J03F | 0.77 (19.6) | 0.85 (21.6) | 0.25 (6.4) | 0.438 (11.1) | 0.040 (1.0) |
| 47 | 2000 | CDV30EJ470J03F | 0.77 (19.6) | 0.86 (21.8) | 0.25 (6.4) | 0.438 (11.1) | 0.040 (1.0) |
| 47 | 2500 | CDV30EK470J03F | 0.78 (19.8) | 0.86 (21.8) | 0.25 (6.4) | 0.438 (11.1) | 0.040 (1.0) |
| 50 | 500 | CD10ED500J03F | 0.37 (9.4) | 0.34 (8.6) | 0.19 (4.8) | 0.141 (3.6) | 0.016 (.4) |
| 50 | 500 | CD15ED500J03F | 0.45 (11.4) | 0.36 (9.1) | 0.17 (4.3) | 0.234 (5.9) | 0.025 (.6) |
| 50 | 1000 | CDV19EF500J03F | 0.64 (16.3) | 0.50 (12.7) | 0.19 (4.8) | 0.344 (8.7) | 0.032 (.8) |
| 50 | 1,500 | CDV30EH500J03F | 0.77 (19.6) | 0.85 (21.6) | 0.25 (6.4) | 0.438 (11.1) | 0.040 (1.0) |
| 50 | 2,000 | CDV30EJ500J03F | 0.77 (19.6) | 0.86 (21.8) | 0.25 (6.4) | 0.438 (11.1) | 0.040 (1.0) |

Mica Capacitors, Standard Dipped

Types CD10, D10, CD15, CD19, CD30, CD42, CDV19, CDV30

| Cap (pF) | Volts (Vdc) | Catalog Part Number | L (in) (mm) | H (in) (mm) | T (in) (mm) | S (in) (mm) | d (in) (mm) |
|-------------|----------------|------------------------|----------------|----------------|----------------|----------------|----------------|
| 50 | 2500 | CDV30EK500J03F | 0.78 (19.8) | 0.86 (21.8) | 0.25 (6.4) | 0.438 (11.1) | 0.040 (1.0) |
| 51 | 500 | CD10ED510J03F | 0.37 (9.4) | 0.34 (8.6) | 0.19 (4.8) | 0.141 (3.6) | 0.016 (.4) |
| 51 | 500 | CD15ED510J03F | 0.45 (11.4) | 0.36 (9.1) | 0.17 (4.3) | 0.234 (5.9) | 0.025 (.6) |
| 51 | 1000 | CDV19EF510J03F | 0.64 (16.3) | 0.50 (12.7) | 0.19 (4.8) | 0.344 (8.7) | 0.032 (.8) |
| 51 | 1500 | CDV30EH510J03F | 0.77 (19.6) | 0.85 (21.6) | 0.25 (6.4) | 0.438 (11.1) | 0.040 (1.0) |
| 51 | 2000 | CDV30EJ510J03F | 0.77 (19.6) | 0.86 (21.8) | 0.25 (6.4) | 0.438 (11.1) | 0.040 (1.0) |
| 51 | 2500 | CDV30EK510J03F | 0.78 (19.8) | 0.86 (21.8) | 0.25 (6.4) | 0.438 (11.1) | 0.040 (1.0) |
| 56 | 500 | CD10ED560J03F | 0.37 (9.4) | 0.34 (8.6) | 0.19 (4.8) | 0.141 (3.6) | 0.016 (.4) |
| 56 | 500 | CD15ED560J03F | 0.45 (11.4) | 0.36 (9.1) | 0.17 (4.3) | 0.234 (5.9) | 0.025 (.6) |
| 56 | 1,000 | CDV19EF560J03F | 0.64 (16.3) | 0.50 (12.7) | 0.19 (4.8) | 0.344 (8.7) | 0.032 (.8) |
| 56 | 1500 | CDV30EH560J03F | 0.77 (19.6) | 0.85 (21.6) | 0.25 (6.4) | 0.438 (11.1) | 0.040 (1.0) |
| 56 | 2500 | CDV30EK560J03F | 0.78 (19.8) | 0.86 (21.8) | 0.25 (6.4) | 0.438 (11.1) | 0.040 (1.0) |
| 62 | 500 | CD10ED620J03F | 0.37 (9.4) | 0.34 (8.6) | 0.19 (4.8) | 0.141 (3.6) | 0.016 (.4) |
| 62 | 500 | CD15ED620J03F | 0.45 (11.4) | 0.36 (9.1) | 0.17 (4.3) | 0.234 (5.9) | 0.025 (.6) |
| 62 | 1000 | CDV19EF620J03F | 0.64 (16.3) | 0.50 (12.7) | 0.19 (4.8) | 0.344 (8.7) | 0.032 (.8) |
| 62 | 1,500 | CDV30EH620J03F | 0.77 (19.6) | 0.85 (21.6) | 0.25 (6.4) | 0.438 (11.1) | 0.040 (1.0) |
| 62 | 2000 | CDV30EJ620J03F | 0.77 (19.6) | 0.86 (21.8) | 0.25 (6.4) | 0.438 (11.1) | 0.040 (1.0) |
| 62 | 2500 | CDV30EK620J03F | 0.78 (19.8) | 0.86 (21.8) | 0.25 (6.4) | 0.438 (11.1) | 0.040 (1.0) |
| 68 | 500 | CD10ED680J03F | 0.37 (9.4) | 0.34 (8.6) | 0.19 (4.8) | 0.141 (3.6) | 0.016 (.4) |
| 68 | 500 | CD15ED680J03F | 0.45 (11.4) | 0.36 (9.1) | 0.18 (4.6) | 0.234 (5.9) | 0.025 (.6) |
| 68 | 1000 | CDV19EF680J03F | 0.64 (16.3) | 0.50 (12.7) | 0.19 (4.8) | 0.344 (8.7) | 0.032 (.8) |
| 68 | 1,500 | CDV30EH680J03F | 0.77 (19.6) | 0.85 (21.6) | 0.25 (6.4) | 0.438 (11.1) | 0.040 (1.0) |
| 68 | 2000 | CDV30EJ680J03F | 0.77 (19.6) | 0.86 (21.8) | 0.25 (6.4) | 0.438 (11.1) | 0.040 (1.0) |
| 68 | 2500 | CDV30EK680J03F | 0.78 (19.8) | 0.86 (21.8) | 0.25 (6.4) | 0.438 (11.1) | 0.040 (1.0) |
| 75 | 500 | CD10ED750J03F | 0.37 (9.4) | 0.34 (8.6) | 0.20 (5.1) | 0.141 (3.6) | 0.016 (.4) |
| 75 | 500 | CD15ED750J03F | 0.45 (11.4) | 0.36 (9.1) | 0.18 (4.6) | 0.234 (5.9) | 0.025 (.6) |
| 75 | 1000 | CDV19EF750J03F | 0.64 (16.3) | 0.50 (12.7) | 0.19 (4.8) | 0.344 (8.7) | 0.032 (.8) |
| 75 | 1500 | CDV30EH750J03F | 0.77 (19.6) | 0.85 (21.6) | 0.25 (6.4) | 0.438 (11.1) | 0.040 (1.0) |
| 75 | 2000 | CDV30EJ750J03F | 0.77 (19.6) | 0.86 (21.8) | 0.25 (6.4) | 0.438 (11.1) | 0.040 (1.0) |
| 75 | 2500 | CDV30EK750J03F | 0.78 (19.8) | 0.86 (21.8) | 0.25 (6.4) | 0.438 (11.1) | 0.040 (1.0) |
| 82 | 500 | CD10ED820J03F | 0.37 (9.4) | 0.35 (8.9) | 0.20 (5.1) | 0.141 (3.6) | 0.016 (.4) |
| 82 | 500 | CD15ED820J03F | 0.45 (11.4) | 0.36 (9.1) | 0.18 (4.6) | 0.234 (5.9) | 0.025 (.6) |
| 82 | 1000 | CDV19EF820J03F | 0.64 (16.3) | 0.50 (12.7) | 0.19 (4.8) | 0.344 (8.7) | 0.032 (.8) |
| 82 | 1500 | CDV30EH820J03F | 0.77 (19.6) | 0.85 (21.6) | 0.25 (6.4) | 0.438 (11.1) | 0.040 (1.0) |
| 82 | 2,000 | CDV30EJ820J03F | 0.77 (19.6) | 0.86 (21.8) | 0.25 (6.4) | 0.438 (11.1) | 0.040 (1.0) |
| 82 | 2500 | CDV30EK820J03F | 0.78 (19.8) | 0.86 (21.8) | 0.25 (6.4) | 0.438 (11.1) | 0.040 (1.0) |
| 91 | 500 | CD10FD910J03F | 0.37 (9.4) | 0.35 (8.9) | 0.20 (5.1) | 0.141 (3.6) | 0.016 (.4) |
| 91 | 500 | CD15FD910J03F | 0.46 (11.7) | 0.36 (9.1) | 0.18 (4.6) | 0.234 (5.9) | 0.025 (.6) |
| 91 | 1000 | CDV19FF910J03F | 0.64 (16.3) | 0.50 (12.7) | 0.19 (4.8) | 0.344 (8.7) | 0.032 (.8) |
| 91 | 1500 | CDV30FH910J03F | 0.77 (19.6) | 0.85 (21.6) | 0.25 (6.4) | 0.438 (11.1) | 0.040 (1.0) |
| 91 | 2,000 | CDV30FJ910J03F | 0.77 (19.6) | 0.86 (21.8) | 0.25 (6.4) | 0.438 (11.1) | 0.040 (1.0) |
| 91 | 2500 | CDV30FK910J03F | 0.78 (19.8) | 0.86 (21.8) | 0.25 (6.4) | 0.438 (11.1) | 0.040 (1.0) |
| 100 | 500 | CD10FD101J03F | 0.37 (9.4) | 0.35 (8.9) | 0.20 (5.1) | 0.141 (3.6) | 0.016 (.4) |
| 100 | 500 | CD15FD101J03F | 0.46 (11.7) | 0.36 (9.1) | 0.18 (4.6) | 0.234 (5.9) | 0.025 (.6) |
| 100 | 500 | CD19FD101J03F | 0.64 (16.3) | 0.50 (12.7) | 0.19 (4.8) | 0.344 (8.7) | 0.032 (.8) |

Mica Capacitors, Standard Dipped

Types CD10, D10, CD15, CD19, CD30, CD42, CDV19, CDV30

| Cap (pF) | Volts (Vdc) | Catalog Part Number | L (in) (mm) | H (in) (mm) | T (in) (mm) | S (in) (mm) | d (in) (mm) |
|-------------|----------------|------------------------|----------------|----------------|----------------|----------------|----------------|
| 100 | 1000 | CDV19FF101J03F | 0.64 (16.3) | 0.50 (12.7) | 0.19 (4.8) | 0.344 (8.7) | 0.032 (.8) |
| 100 | 1500 | CDV30FH101J03F | 0.77 (19.6) | 0.85 (21.6) | 0.25 (6.4) | 0.438 (11.1) | 0.040 (1.0) |
| 100 | 2,000 | CDV30FJ101J03F | 0.77 (19.6) | 0.86 (21.8) | 0.25 (6.4) | 0.438 (11.1) | 0.040 (1.0) |
| 100 | 2,500 | CDV30FK101J03F | 0.78 (19.8) | 0.86 (21.8) | 0.25 (6.4) | 0.438 (11.1) | 0.040 (1.0) |
| 110 | 500 | CD10FD111J03F | 0.38 (9.7) | 0.35 (8.9) | 0.20 (5.1) | 0.141 (3.6) | 0.016 (.4) |
| 110 | 500 | CD15FD111J03F | 0.46 (11.7) | 0.37 (9.4) | 0.18 (4.6) | 0.234 (5.9) | 0.025 (.6) |
| 110 | 1000 | CDV19FF111J03F | 0.64 (16.3) | 0.50 (12.7) | 0.19 (4.8) | 0.344 (8.7) | 0.032 (.8) |
| 110 | 1500 | CDV30FH111J03F | 0.77 (19.6) | 0.85 (21.6) | 0.25 (6.4) | 0.438 (11.1) | 0.040 (1.0) |
| 110 | 2,000 | CDV30FJ111J03F | 0.77 (19.6) | 0.86 (21.8) | 0.25 (6.4) | 0.438 (11.1) | 0.040 (1.0) |
| 110 | 2,500 | CDV30FK111J03F | 0.78 (19.8) | 0.86 (21.8) | 0.25 (6.4) | 0.438 (11.1) | 0.040 (1.0) |
| 120 | 500 | CD10FD121J03F | 0.38 (9.7) | 0.35 (8.9) | 0.20 (5.1) | 0.141 (3.6) | 0.016 (.4) |
| 120 | 500 | CD15FD121J03F | 0.46 (11.7) | 0.37 (9.4) | 0.18 (4.6) | 0.234 (5.9) | 0.025 (.6) |
| 120 | 500 | CD19FD121J03F | 0.64 (16.3) | 0.50 (12.7) | 0.19 (4.8) | 0.344 (8.7) | 0.032 (.8) |
| 120 | 1000 | CDV19FF121J03F | 0.64 (16.3) | 0.50 (12.7) | 0.19 (4.8) | 0.344 (8.7) | 0.032 (.8) |
| 120 | 1,500 | CDV30FH121J03F | 0.77 (19.6) | 0.85 (21.6) | 0.25 (6.4) | 0.438 (11.1) | 0.040 (1.0) |
| 120 | 2,000 | CDV30FJ121J03F | 0.77 (19.6) | 0.86 (21.8) | 0.25 (6.4) | 0.438 (11.1) | 0.040 (1.0) |
| 120 | 2,500 | CDV30FK121J03F | 0.78 (19.8) | 0.86 (21.8) | 0.25 (6.4) | 0.438 (11.1) | 0.040 (1.0) |
| 130 | 500 | CD10FD131J03F | 0.38 (9.7) | 0.36 (9.1) | 0.20 (5.1) | 0.141 (3.6) | 0.016 (.4) |
| 130 | 500 | CD15FD131J03F | 0.46 (11.7) | 0.37 (9.4) | 0.18 (4.6) | 0.234 (5.9) | 0.025 (.6) |
| 130 | 1000 | CDV19FF131J03F | 0.64 (16.3) | 0.50 (12.7) | 0.19 (4.8) | 0.344 (8.7) | 0.032 (.8) |
| 130 | 1,500 | CDV30FH131J03F | 0.77 (19.6) | 0.85 (21.6) | 0.25 (6.4) | 0.438 (11.1) | 0.040 (1.0) |
| 130 | 2,000 | CDV30FJ131J03F | 0.77 (19.6) | 0.86 (21.8) | 0.25 (6.4) | 0.438 (11.1) | 0.040 (1.0) |
| 150 | 500 | CD10FD151J03F | 0.38 (9.7) | 0.36 (9.1) | 0.21 (5.3) | 0.141 (3.6) | 0.016 (.4) |
| 150 | 500 | CD15FD151J03F | 0.46 (11.7) | 0.37 (9.4) | 0.19 (4.8) | 0.234 (5.9) | 0.025 (.6) |
| 150 | 500 | CD19FD151J03F | 0.64 (16.3) | 0.50 (12.7) | 0.19 (4.8) | 0.344 (8.7) | 0.032 (.8) |
| 150 | 1000 | CDV19FF151J03F | 0.64 (16.3) | 0.50 (12.7) | 0.19 (4.8) | 0.344 (8.7) | 0.032 (.8) |
| 150 | 1,500 | CDV30FH151J03F | 0.77 (19.6) | 0.85 (21.6) | 0.25 (6.4) | 0.438 (11.1) | 0.040 (1.0) |
| 150 | 2,000 | CDV30FJ151J03F | 0.77 (19.6) | 0.86 (21.8) | 0.25 (6.4) | 0.438 (11.1) | 0.040 (1.0) |
| 160 | 500 | CD10FD161J03F | 0.38 (9.7) | 0.36 (9.1) | 0.21 (5.3) | 0.141 (3.6) | 0.016 (.4) |
| 160 | 500 | CD15FD161J03F | 0.46 (11.7) | 0.37 (9.4) | 0.19 (4.8) | 0.234 (5.9) | 0.025 (.6) |
| 160 | 1000 | CDV19FF161J03F | 0.64 (16.3) | 0.50 (12.7) | 0.19 (4.8) | 0.344 (8.7) | 0.032 (.8) |
| 160 | 1500 | CDV30FH161J03F | 0.77 (19.6) | 0.85 (21.6) | 0.25 (6.4) | 0.438 (11.1) | 0.040 (1.0) |
| 160 | 2,000 | CDV30FJ161J03F | 0.77 (19.6) | 0.86 (21.8) | 0.25 (6.4) | 0.438 (11.1) | 0.040 (1.0) |
| 180 | 500 | CD10FD181J03F | 0.39 (9.9) | 0.37 (9.4) | 0.21 (5.3) | 0.141 (3.6) | 0.016 (.4) |
| 180 | 500 | CD15FD181J03F | 0.46 (11.7) | 0.37 (9.4) | 0.19 (4.8) | 0.234 (5.9) | 0.025 (.6) |
| 180 | 500 | CD19FD181J03F | 0.64 (16.3) | 0.50 (12.7) | 0.19 (4.8) | 0.344 (8.7) | 0.032 (.8) |
| 180 | 1000 | CDV19FF181J03F | 0.64 (16.3) | 0.50 (12.7) | 0.19 (4.8) | 0.344 (8.7) | 0.032 (.8) |
| 180 | 1,500 | CDV30FH181J03F | 0.77 (19.6) | 0.85 (21.6) | 0.25 (6.4) | 0.438 (11.1) | 0.040 (1.0) |
| 180 | 2,000 | CDV30FJ181J03F | 0.77 (19.6) | 0.86 (21.8) | 0.25 (6.4) | 0.438 (11.1) | 0.040 (1.0) |
| 200 | 500 | CD10FD201J03F | 0.39 (9.9) | 0.37 (9.4) | 0.21 (5.3) | 0.141 (3.6) | 0.016 (.4) |
| 200 | 500 | CD15FD201J03F | 0.46 (11.7) | 0.38 (9.7) | 0.19 (4.8) | 0.234 (5.9) | 0.025 (.6) |
| 200 | 1000 | CDV19FF201J03F | 0.64 (16.3) | 0.50 (12.7) | 0.19 (4.8) | 0.344 (8.7) | 0.032 (.8) |
| 200 | 1500 | CDV30FH201J03F | 0.77 (19.6) | 0.85 (21.6) | 0.25 (6.4) | 0.438 (11.1) | 0.040 (1.0) |

Mica Capacitors, Standard Dipped

Types CD10, D10, CD15, CD19, CD30, CD42, CDV19, CDV30

| Cap (pF) | Volts (Vdc) | Catalog Part Number | L (in) (mm) | H (in) (mm) | T (in) (mm) | S (in) (mm) | d (in) (mm) |
|-------------|----------------|------------------------|----------------|----------------|----------------|----------------|----------------|
| 200 | 2000 | CDV30FJ201J03F | 0.77 (19.6) | 0.86 (21.8) | 0.25 (6.4) | 0.438 (11.1) | 0.040 (1.0) |
| 220 | 500 | CD10FD221J03F | 0.39 (9.9) | 0.38 (9.7) | 0.22 (5.6) | 0.141 (3.6) | 0.016 (.4) |
| 220 | 500 | CD15FD221J03F | 0.46 (11.7) | 0.38 (9.7) | 0.20 (5.1) | 0.234 (5.9) | 0.025 (.6) |
| 220 | 500 | CD19FD221J03F | 0.64 (16.3) | 0.50 (12.7) | 0.19 (4.8) | 0.344 (8.7) | 0.032 (.8) |
| 220 | 1000 | CDV19FF221J03F | 0.64 (16.3) | 0.50 (12.7) | 0.19 (4.8) | 0.344 (8.7) | 0.032 (.8) |
| 220 | 1500 | CDV30FH221J03F | 0.77 (19.6) | 0.85 (21.6) | 0.25 (6.4) | 0.438 (11.1) | 0.040 (1.0) |
| 220 | 2000 | CDV30FJ221J03F | 0.77 (19.6) | 0.86 (21.8) | 0.25 (6.4) | 0.438 (11.1) | 0.040 (1.0) |
| 240 | 500 | CD10FD241J03F | 0.39 (9.9) | 0.38 (9.7) | 0.22 (5.6) | 0.141 (3.6) | 0.016 (.4) |
| 240 | 500 | CD10FD241J03F | 0.39 (9.9) | 0.38 (9.7) | 0.22 (5.6) | 0.141 (3.6) | 0.016 (.4) |
| 240 | 500 | CD15FD241J03F | 0.46 (11.7) | 0.38 (9.7) | 0.20 (5.1) | 0.234 (5.9) | 0.025 (.6) |
| 240 | 500 | CD19FD241J03F | 0.64 (16.3) | 0.50 (12.7) | 0.19 (4.8) | 0.344 (8.7) | 0.032 (.8) |
| 240 | 1000 | CDV19FF241J03F | 0.64 (16.3) | 0.50 (12.7) | 0.19 (4.8) | 0.344 (8.7) | 0.032 (.8) |
| 240 | 1,500 | CDV30FH241J03F | 0.77 (19.6) | 0.85 (21.6) | 0.25 (6.4) | 0.438 (11.1) | 0.040 (1.0) |
| 240 | 2000 | CDV30FJ241J03F | 0.77 (19.6) | 0.86 (21.8) | 0.25 (6.4) | 0.438 (11.1) | 0.040 (1.0) |
| 250 | 500 | CD10FD251J03F | 0.39 (9.9) | 0.38 (9.7) | 0.22 (5.6) | 0.141 (3.6) | 0.016 (.4) |
| 250 | 500 | CD15FD251J03F | 0.47 (11.9) | 0.39 (9.9) | 0.21 (5.3) | 0.234 (5.9) | 0.025 (.6) |
| 250 | 500 | CD19FD251J03F | 0.64 (16.3) | 0.50 (12.7) | 0.19 (4.8) | 0.344 (8.7) | 0.032 (.8) |
| 270 | 300 | CD10FC271J03F | 0.39 (9.9) | 0.38 (9.7) | 0.22 (5.6) | 0.141 (3.6) | 0.016 (.4) |
| 270 | 500 | CD19FD271J03F | 0.64 (16.3) | 0.50 (12.7) | 0.19 (4.8) | 0.344 (8.7) | 0.032 (.8) |
| 270 | 500 | D105F271J03F | 0.39 (9.9) | 0.38 (9.7) | 0.22 (5.6) | 0.141 (3.6) | 0.016 (.4) |
| 270 | 500 | CD15FD271J03F | 0.47 (11.9) | 0.39 (9.9) | 0.21 (5.3) | 0.234 (5.9) | 0.025 (.6) |
| 270 | 1,000 | CDV19FF271J03F | 0.64 (16.3) | 0.50 (12.7) | 0.19 (4.8) | 0.344 (8.7) | 0.032 (.8) |
| 270 | 1500 | CDV30FH271J03F | 0.77 (19.6) | 0.85 (21.6) | 0.25 (6.4) | 0.438 (11.1) | 0.040 (1.0) |
| 270 | 2000 | CDV30FJ271J03F | 0.77 (19.6) | 0.86 (21.8) | 0.25 (6.4) | 0.438 (11.1) | 0.040 (1.0) |
| 300 | 300 | CD10FC301J03F | 0.39 (9.9) | 0.38 (9.7) | 0.22 (5.6) | 0.141 (3.6) | 0.016 (.4) |
| 300 | 500 | D105F301J03F | 0.39 (9.9) | 0.38 (9.7) | 0.22 (5.6) | 0.141 (3.6) | 0.016 (.4) |
| 300 | 500 | CD15FD301J03F | 0.47 (11.9) | 0.39 (9.9) | 0.21 (5.3) | 0.234 (5.9) | 0.025 (.6) |
| 300 | 500 | CD19FD301J03F | 0.64 (16.3) | 0.50 (12.7) | 0.19 (4.8) | 0.344 (8.7) | 0.032 (.8) |
| 300 | 2000 | CDV30FJ301J03F | 0.77 (19.6) | 0.86 (21.8) | 0.25 (6.4) | 0.438 (11.1) | 0.040 (1.0) |
| 330 | 100 | CD10FA331J03F | 0.39 (9.9) | 0.37 (9.4) | 0.22 (5.6) | 0.141 (3.6) | 0.016 (.4) |
| 330 | 500 | D105F331J03F | 0.39 (9.9) | 0.38 (9.7) | 0.22 (5.6) | 0.141 (3.6) | 0.016 (.4) |
| 330 | 500 | CD15FD331J03F | 0.47 (11.9) | 0.39 (9.9) | 0.21 (5.3) | 0.234 (5.9) | 0.025 (.6) |
| 330 | 500 | CD19FD331J03F | 0.64 (16.3) | 0.50 (12.7) | 0.19 (4.8) | 0.344 (8.7) | 0.032 (.8) |
| 330 | 2000 | CDV30FJ331J03F | 0.77 (19.6) | 0.86 (21.8) | 0.25 (6.4) | 0.438 (11.1) | 0.040 (1.0) |
| 330 | 2,500 | CDV30FK331J03F | 0.78 (19.8) | 0.87 (22.1) | 0.25 (6.4) | 0.438 (11.1) | 0.040 (1.0) |
| 360 | 100 | CD10FA361J03F | 0.39 (9.9) | 0.38 (9.7) | 0.22 (5.6) | 0.141 (3.6) | 0.016 (.4) |
| 360 | 500 | D105F361J03F | 0.39 (9.9) | 0.38 (9.7) | 0.22 (5.6) | 0.141 (3.6) | 0.016 (.4) |
| 360 | 500 | CD15FD361J03F | 0.47 (11.9) | 0.39 (9.9) | 0.21 (5.3) | 0.234 (5.9) | 0.025 (.6) |
| 360 | 500 | CD19FD361J03F | 0.64 (16.3) | 0.51 (13.0) | 0.20 (5.1) | 0.344 (8.7) | 0.032 (.8) |
| 390 | 100 | CD10FA391J03F | 0.39 (9.9) | 0.38 (9.7) | 0.22 (5.6) | 0.141 (3.6) | 0.016 (.4) |
| 390 | 500 | D105F391J03F | 0.39 (9.9) | 0.38 (9.7) | 0.22 (5.6) | 0.141 (3.6) | 0.016 (.4) |
| 390 | 500 | CD15FD391J03F | 0.47 (11.9) | 0.39 (9.9) | 0.21 (5.3) | 0.234 (5.9) | 0.025 (.6) |
| 390 | 500 | CD19FD391J03F | 0.64 (16.3) | 0.51 (13.0) | 0.20 (5.1) | 0.344 (8.7) | 0.032 (.8) |

Mica Capacitors, Standard Dipped

Types CD10, D10, CD15, CD19, CD30, CD42, CDV19, CDV30

| Cap (pF) | Volts (Vdc) | Catalog Part Number | L (in) (mm) | H (in) (mm) | T (in) (mm) | S (in) (mm) | d (in) (mm) |
|-------------|----------------|------------------------|----------------|----------------|----------------|----------------|----------------|
| 390 | 1000 | CDV19FF391J03F | 0.65 (16.5) | 0.51 (13.0) | 0.20 (5.1) | 0.344 (8.7) | 0.032 (.8) |
| 390 | 1500 | CDV30FH391J03F | 0.77 (19.6) | 0.85 (21.6) | 0.25 (6.4) | 0.438 (11.1) | 0.040 (1.0) |
| 400 | 100 | CD10FA401J03F | 0.39 (9.9) | 0.38 (9.7) | 0.22 (5.6) | 0.141 (3.6) | 0.016 (.4) |
| 430 | 500 | D105F431J03F | 0.39 (9.9) | 0.38 (9.7) | 0.22 (5.6) | 0.141 (3.6) | 0.016 (.4) |
| 430 | 500 | CD15FD431J03F | 0.47 (11.9) | 0.39 (9.9) | 0.21 (5.3) | 0.234 (5.9) | 0.025 (.6) |
| 430 | 500 | CD19FD431J03F | 0.64 (16.3) | 0.51 (13.0) | 0.20 (5.1) | 0.344 (8.7) | 0.032 (.8) |
| 430 | 1500 | CDV30FH431J03F | 0.77 (19.6) | 0.85 (21.6) | 0.25 (6.4) | 0.438 (11.1) | 0.040 (1.0) |
| 470 | 500 | D105F471J03F | 0.39 (9.9) | 0.38 (9.7) | 0.22 (5.6) | 0.141 (3.6) | 0.016 (.4) |
| 470 | 500 | CD15FD471J03F | 0.47 (11.9) | 0.40 (10.2) | 0.22 (5.6) | 0.234 (5.9) | 0.025 (.6) |
| 470 | 500 | CD19FD471J03F | 0.64 (16.3) | 0.51 (13.0) | 0.20 (5.1) | 0.344 (8.7) | 0.032 (.8) |
| 470 | 1500 | CDV30FH471J03F | 0.77 (19.6) | 0.85 (21.6) | 0.25 (6.4) | 0.438 (11.1) | 0.040 (1.0) |
| 470 | 2000 | CDV30FJ471J03F | 0.77 (19.6) | 0.87 (22.1) | 0.26 (6.6) | 0.438 (11.1) | 0.040 (1.0) |
| 470 | 2,500 | CDV30FK471J03F | 0.78 (19.8) | 0.87 (22.1) | 0.27 (6.9) | 0.438 (11.1) | 0.040 (1.0) |
| 500 | 500 | D105F501J03F | 0.39 (9.9) | 0.38 (9.7) | 0.22 (5.6) | 0.141 (3.6) | 0.016 (.4) |
| 500 | 500 | CD15FD501J03F | 0.47 (11.9) | 0.40 (10.2) | 0.22 (5.6) | 0.234 (5.9) | 0.025 (.6) |
| 500 | 500 | CD19FD501J03F | 0.64 (16.3) | 0.51 (13.0) | 0.20 (5.1) | 0.344 (8.7) | 0.032 (.8) |
| 500 | 1500 | CDV30FH501J03F | 0.77 (19.6) | 0.85 (21.6) | 0.25 (6.4) | 0.438 (11.1) | 0.040 (1.0) |
| 500 | 2000 | CDV30FJ501J03F | 0.77 (19.6) | 0.87 (22.1) | 0.26 (6.6) | 0.438 (11.1) | 0.040 (1.0) |
| 500 | 2,500 | CDV30FK501J03F | 0.78 (19.8) | 0.87 (22.1) | 0.27 (6.9) | 0.438 (11.1) | 0.040 (1.0) |
| 510 | 500 | D105F511J03F | 0.39 (9.9) | 0.38 (9.7) | 0.22 (5.6) | 0.141 (3.6) | 0.016 (.4) |
| 510 | 500 | CD15FD511J03F | 0.47 (11.9) | 0.40 (10.2) | 0.22 (5.6) | 0.234 (5.9) | 0.025 (.6) |
| 510 | 500 | CD19FD511J03F | 0.65 (16.5) | 0.51 (13.0) | 0.20 (5.1) | 0.344 (8.7) | 0.032 (.8) |
| 510 | 1500 | CDV30FH511J03F | 0.77 (19.6) | 0.85 (21.6) | 0.25 (6.4) | 0.438 (11.1) | 0.040 (1.0) |
| 510 | 2000 | CDV30FJ511J03F | 0.77 (19.6) | 0.87 (22.1) | 0.26 (6.6) | 0.438 (11.1) | 0.040 (1.0) |
| 510 | 2,500 | CDV30FK511J03F | 0.78 (19.8) | 0.87 (22.1) | 0.27 (6.9) | 0.438 (11.1) | 0.040 (1.0) |
| 560 | 300 | D103F561J03F | 0.39 (9.9) | 0.38 (9.7) | 0.22 (5.6) | 0.141 (3.6) | 0.016 (.4) |
| 560 | 300 | CD15FC561J03F | 0.46 (11.7) | 0.38 (9.7) | 0.21 (5.3) | 0.234 (5.9) | 0.025 (.6) |
| 560 | 500 | CD19FD561J03F | 0.65 (16.5) | 0.51 (13.0) | 0.20 (5.1) | 0.344 (8.7) | 0.032 (.8) |
| 560 | 1000 | CDV19FF561J03F | 0.65 (16.5) | 0.51 (13.0) | 0.21 (5.3) | 0.344 (8.7) | 0.032 (.8) |
| 560 | 1500 | CDV30FH561J03F | 0.77 (19.6) | 0.85 (21.6) | 0.25 (6.4) | 0.438 (11.1) | 0.040 (1.0) |
| 560 | 2000 | CDV30FJ561J03F | 0.77 (19.6) | 0.87 (22.1) | 0.26 (6.6) | 0.438 (11.1) | 0.040 (1.0) |
| 560 | 2500 | CDV30FK561J03F | 0.78 (19.8) | 0.87 (22.1) | 0.27 (6.9) | 0.438 (11.1) | 0.040 (1.0) |
| 620 | 300 | D103F621J03F | 0.39 (9.9) | 0.38 (9.7) | 0.22 (5.6) | 0.141 (3.6) | 0.016 (.4) |
| 620 | 300 | CD15FC621J03F | 0.46 (11.7) | 0.38 (9.7) | 0.21 (5.3) | 0.234 (5.9) | 0.025 (.6) |
| 620 | 500 | CD19FD621J03F | 0.65 (16.5) | 0.51 (13.0) | 0.20 (5.1) | 0.344 (8.7) | 0.032 (.8) |
| 620 | 1500 | CDV30FH621J03F | 0.77 (19.6) | 0.85 (21.6) | 0.25 (6.4) | 0.438 (11.1) | 0.040 (1.0) |
| 620 | 2000 | CDV30FJ621J03F | 0.77 (19.6) | 0.87 (22.1) | 0.26 (6.6) | 0.438 (11.1) | 0.040 (1.0) |
| 620 | 2,500 | CDV30FK621J03F | 0.78 (19.8) | 0.87 (22.1) | 0.27 (6.9) | 0.438 (11.1) | 0.040 (1.0) |
| 680 | 300 | D103F681J03F | 0.39 (9.9) | 0.38 (9.7) | 0.22 (5.6) | 0.141 (3.6) | 0.016 (.4) |
| 680 | 300 | CD15FC681J03F | 0.47 (11.9) | 0.39 (9.9) | 0.21 (5.3) | 0.234 (5.9) | 0.025 (.6) |
| 680 | 500 | CD19FD681J03F | 0.65 (16.5) | 0.51 (13.0) | 0.21 (5.3) | 0.344 (8.7) | 0.032 (.8) |
| 680 | 1000 | CDV19FF681J03F | 0.66 (16.8) | 0.52 (13.2) | 0.22 (5.6) | 0.344 (8.7) | 0.032 (.8) |
| 680 | 1500 | CDV30FH681J03F | 0.77 (19.6) | 0.85 (21.6) | 0.25 (6.4) | 0.438 (11.1) | 0.040 (1.0) |

Mica Capacitors, Standard Dipped

Types CD10, D10, CD15, CD19, CD30, CD42, CDV19, CDV30

| Cap (pF) | Volts (Vdc) | Catalog Part Number | L (in) (mm) | H (in) (mm) | T (in) (mm) | S (in) (mm) | d (in) (mm) |
|-------------|----------------|------------------------|----------------|----------------|----------------|----------------|----------------|
| 680 | 2000 | CDV30FJ681J03F | 0.77 (19.6) | 0.87 (22.1) | 0.26 (6.6) | 0.438 (11.1) | 0.040 (1.0) |
| 680 | 2500 | CDV30FK681J03F | 0.78 (19.8) | 0.87 (22.1) | 0.27 (6.9) | 0.438 (11.1) | 0.040 (1.0) |
| 750 | 300 | D103F751J03F | 0.39 (9.9) | 0.38 (9.7) | 0.22 (5.6) | 0.141 (3.6) | 0.016 (.4) |
| 750 | 300 | CD15FC751J03F | 0.47 (11.9) | 0.39 (9.9) | 0.21 (5.3) | 0.234 (5.9) | 0.025 (.6) |
| 750 | 500 | CD19FD751J03F | 0.65 (16.5) | 0.51 (13.0) | 0.21 (5.3) | 0.344 (8.7) | 0.032 (.8) |
| 750 | 1500 | CDV30FH751J03F | 0.77 (19.6) | 0.85 (21.6) | 0.25 (6.4) | 0.438 (11.1) | 0.040 (1.0) |
| 750 | 2000 | CDV30FJ751J03F | 0.77 (19.6) | 0.87 (22.1) | 0.26 (6.6) | 0.438 (11.1) | 0.040 (1.0) |
| 750 | 2500 | CDV30FK751J03F | 0.78 (19.8) | 0.87 (22.1) | 0.27 (6.9) | 0.438 (11.1) | 0.040 (1.0) |
| 820 | 300 | D103F821J03F | 0.39 (9.9) | 0.38 (9.7) | 0.22 (5.6) | 0.141 (3.6) | 0.016 (.4) |
| 820 | 300 | CD15FC821J03F | 0.47 (11.9) | 0.39 (9.9) | 0.21 (5.3) | 0.234 (5.9) | 0.025 (.6) |
| 820 | 500 | CD19FD821J03F | 0.65 (16.5) | 0.51 (13.0) | 0.21 (5.3) | 0.344 (8.7) | 0.032 (.8) |
| 820 | 1000 | CDV19FF821J03F | 0.66 (16.8) | 0.53 (13.5) | 0.23 (5.8) | 0.344 (8.7) | 0.032 (.8) |
| 820 | 1,500 | CDV30FH821J03F | 0.77 (19.6) | 0.85 (21.6) | 0.25 (6.4) | 0.438 (11.1) | 0.040 (1.0) |
| 820 | 2000 | CDV30FJ821J03F | 0.77 (19.6) | 0.87 (22.1) | 0.26 (6.6) | 0.438 (11.1) | 0.040 (1.0) |
| 820 | 2500 | CDV30FK821J03F | 0.78 (19.8) | 0.87 (22.1) | 0.27 (6.9) | 0.438 (11.1) | 0.040 (1.0) |
| 910 | 100 | D101F911J03F | 0.39 (9.9) | 0.38 (9.7) | 0.22 (5.6) | 0.141 (3.6) | 0.016 (.4) |
| 910 | 100 | CD15FA911J03F | 0.47 (11.9) | 0.40 (10.2) | 0.22 (5.6) | 0.234 (5.9) | 0.025 (.6) |
| 910 | 500 | CD19FD911J03F | 0.65 (16.5) | 0.51 (13.0) | 0.21 (5.3) | 0.344 (8.7) | 0.032 (.8) |
| 910 | 1,000 | CDV19FF911J03F | 0.67 (17.0) | 0.53 (13.5) | 0.24 (6.1) | 0.344 (8.7) | 0.032 (.8) |
| 910 | 1500 | CDV30FH911J03F | 0.77 (19.6) | 0.85 (21.6) | 0.25 (6.4) | 0.438 (11.1) | 0.040 (1.0) |
| 910 | 2000 | CDV30FJ911J03F | 0.78 (19.8) | 0.88 (22.4) | 0.28 (7.1) | 0.438 (11.1) | 0.040 (1.0) |
| 910 | 2,500 | CDV30FK911J03F | 0.78 (19.8) | 0.87 (22.1) | 0.29 (7.4) | 0.438 (11.1) | 0.040 (1.0) |
| 1000 | 100 | D101F102J03F | 0.39 (9.9) | 0.38 (9.7) | 0.22 (5.6) | 0.141 (3.6) | 0.016 (.4) |
| 1000 | 100 | CD15FA102J03F | 0.48 (12.2) | 0.40 (10.2) | 0.23 (5.8) | 0.234 (5.9) | 0.025 (.6) |
| 1000 | 500 | CD19FD102J03F | 0.65 (16.5) | 0.52 (13.2) | 0.22 (5.6) | 0.344 (8.7) | 0.032 (.8) |
| 1000 | 1000 | CDV19FF102J03F | 0.67 (17.0) | 0.53 (13.5) | 0.25 (6.4) | 0.344 (9.7) | 0.032 (.8) |
| 1000 | 1500 | CDV30FH102J03F | 0.77 (19.6) | 0.86 (21.8) | 0.26 (6.6) | 0.438 (11.1) | 0.040 (1.0) |
| 1000 | 2000 | CDV30FJ102J03F | 0.78 (19.8) | 0.88 (22.4) | 0.28 (7.1) | 0.438 (11.1) | 0.040 (1.0) |
| 1000 | 2500 | CDV30FK102J03F | 0.79 (20.1) | 0.88 (22.4) | 0.31 (7.9) | 0.438 (11.1) | 0.040 (1.0) |
| 1100 | 100 | D101F112J03F | 0.39 (9.9) | 0.38 (9.7) | 0.22 (5.6) | 0.141 (3.6) | 0.016 (.4) |
| 1100 | 100 | CD15FA112J03F | 0.49 (12.4) | 0.42 (10.7) | 0.24 (6.1) | 0.234 (5.9) | 0.025 (.6) |
| 1100 | 500 | CD19FD112J03F | 0.65 (16.5) | 0.52 (13.2) | 0.22 (5.6) | 0.344 (8.7) | 0.032 (.8) |
| 1100 | 1000 | CDV19FF112J03F | 0.67 (17.0) | 0.53 (13.5) | 0.25 (6.4) | 0.344 (8.7) | 0.032 (.8) |
| 1100 | 1500 | CDV30FH112J03F | 0.77 (19.6) | 0.86 (21.8) | 0.26 (6.6) | 0.438 (11.1) | 0.040 (1.0) |
| 1200 | 100 | D101F122J03F | 0.39 (9.9) | 0.38 (9.7) | 0.22 (5.6) | 0.141 (3.6) | 0.016 (.4) |
| 1200 | 100 | CD15FA122J03F | 0.49 (12.4) | 0.42 (10.7) | 0.24 (6.1) | 0.234 (5.9) | 0.025 (.6) |
| 1200 | 500 | CD19FD122J03F | 0.66 (16.8) | 0.52 (13.2) | 0.22 (5.6) | 0.344 (8.7) | 0.032 (.8) |
| 1200 | 1,500 | CDV30FH122J03F | 0.77 (19.6) | 0.86 (21.8) | 0.26 (6.6) | 0.438 (11.1) | 0.040 (1.0) |
| 1200 | 2000 | CDV30FJ122J03F | 0.78 (19.8) | 0.88 (22.4) | 0.28 (7.1) | 0.438 (11.1) | 0.040 (1.0) |
| 1200 | 2500 | CDV30FK122J03F | 0.79 (20.1) | 0.88 (22.4) | 0.31 (7.9) | 0.438 (11.1) | 0.040 (1.0) |
| 1300 | 100 | D101F132J03F | 0.39 (9.9) | 0.38 (9.7) | 0.22 (5.6) | 0.141 (3.6) | 0.016 (.4) |
| 1300 | 500 | CD19FD132J03F | 0.66 (16.8) | 0.52 (13.2) | 0.22 (5.6) | 0.344 (8.7) | 0.032 (.8) |
| 1300 | 1000 | CDV19FF132J03F | 0.67 (17.0) | 0.54 (13.7) | 0.26 (6.6) | 0.344 (8.7) | 0.032 (.8) |

Mica Capacitors, Standard Dipped

Types CD10, D10, CD15, CD19, CD30, CD42, CDV19, CDV30

| Cap (pF) | Volts (Vdc) | Catalog Part Number | L (in) (mm) | H (in) (mm) | T (in) (mm) | S (in) (mm) | d (in) (mm) |
|-------------|----------------|------------------------|----------------|----------------|----------------|----------------|----------------|
| 1300 | 1500 | CDV30FH132J03F | 0.78 (19.8) | 0.87 (22.1) | 0.27 (6.9) | 0.438 (11.1) | 0.040 (1.0) |
| 1300 | 2000 | CDV30FJ132J03F | 0.78 (19.8) | 0.88 (22.4) | 0.30 (7.6) | 0.438 (11.1) | 0.040 (1.0) |
| 1300 | 2500 | CDV30FK132J03F | 0.80 (20.3) | 0.89 (22.6) | 0.33 (8.4) | 0.438 (11.1) | 0.040 (1.0) |
| 1500 | 100 | D101F152J03F | 0.39 (9.9) | 0.38 (9.7) | 0.22 (5.6) | 0.141 (3.6) | 0.016 (.4) |
| 1500 | 100 | CD15FA152J03F | 0.50 (12.7) | 0.43 (10.9) | 0.25 (6.4) | 0.234 (5.9) | 0.025 (.6) |
| 1500 | 500 | CD19FD152J03F | 0.66 (16.8) | 0.52 (13.2) | 0.23 (5.8) | 0.344 (8.7) | 0.032 (.8) |
| 1500 | 1000 | CDV19FF152J03F | 0.68 (17.3) | 0.54 (13.7) | 0.27 (6.9) | 0.344 (8.7) | 0.032 (.8) |
| 1500 | 1500 | CDV30FH152J03F | 0.78 (19.8) | 0.87 (22.1) | 0.28 (7.1) | 0.438 (11.1) | 0.040 (1.0) |
| 1500 | 2000 | CDV30FJ152J03F | 0.79 (20.1) | 0.89 (22.6) | 0.32 (8.1) | 0.438 (11.1) | 0.040 (1.0) |
| 1500 | 2,500 | CDV30FK152J03F | 0.80 (20.3) | 0.89 (22.6) | 0.35 (8.9) | 0.438 (11.1) | 0.040 (1.0) |
| 1600 | 500 | CD19FD162J03F | 0.66 (16.8) | 0.53 (13.5) | 0.23 (5.8) | 0.344 (8.7) | 0.032 (.8) |
| 1600 | 1000 | CDV19FF162J03F | 0.68 (17.3) | 0.55 (14.0) | 0.28 (7.1) | 0.344 (8.7) | 0.032 (.8) |
| 1600 | 1,500 | CDV30FH162J03F | 0.78 (19.8) | 0.87 (22.1) | 0.28 (7.1) | 0.438 (11.1) | 0.040 (1.0) |
| 1600 | 2000 | CDV30FJ162J03F | 0.79 (20.1) | 0.89 (22.6) | 0.32 (8.1) | 0.438 (11.1) | 0.040 (1.0) |
| 1600 | 2500 | CDV30FK162J03F | 0.80 (20.3) | 0.89 (22.6) | 0.35 (8.9) | 0.438 (11.1) | 0.040 (1.0) |
| 1800 | 500 | CD19FD182J03F | 0.67 (17.0) | 0.53 (13.5) | 0.24 (6.1) | 0.344 (8.7) | 0.032 (.8) |
| 1800 | 1000 | CDV19FF182J03F | 0.68 (17.3) | 0.55 (14.0) | 0.29 (7.4) | 0.344 (8.7) | 0.032 (.8) |
| 1800 | 1500 | CDV30FH182J03F | 0.78 (19.8) | 0.87 (22.1) | 0.29 (7.4) | 0.438 (11.1) | 0.040 (1.0) |
| 1800 | 2,000 | CDV30FJ182J03F | 0.79 (20.1) | 0.89 (22.6) | 0.34 (8.6) | 0.438 (11.1) | 0.040 (1.0) |
| 1800 | 2500 | CDV30FK182J03F | 0.81 (20.6) | 0.90 (22.9) | 0.37 (9.4) | 0.438 (11.1) | 0.040 (1.0) |
| 2000 | 500 | CD19FD202J03F | 0.67 (17.0) | 0.53 (13.5) | 0.24 (6.1) | 0.344 (8.7) | 0.032 (.8) |
| 2000 | 500 | CD30FD202J03F | 0.77 (19.6) | 0.85 (21.6) | 0.24 (6.1) | 0.438 (11.1) | 0.040 (1.0) |
| 2000 | 1000 | CDV19FF202J03F | 0.68 (17.3) | 0.56 (14.2) | 0.30 (7.6) | 0.344 (8.7) | 0.032 (.8) |
| 2000 | 1500 | CDV30FH202J03F | 0.78 (19.8) | 0.87 (22.1) | 0.30 (7.6) | 0.438 (11.1) | 0.040 (1.0) |
| 2100 | 2,000 | CDV30FJ212J03F | 0.80 (20.3) | 0.90 (22.9) | 0.36 (9.1) | 0.438 (11.1) | 0.040 (1.0) |
| 2100 | 2500 | CDV30FK212J03F | 0.82 (20.8) | 0.91 (23.1) | 0.39(9.9) | 0.438 (11.1) | 0.040 (1.0) |
| 2200 | 500 | CD19FD222J03F | 0.67 (17.0) | 0.53 (13.5) | 0.25(6.4) | 0.344 (8.7) | 0.032 (.8) |
| 2200 | 500 | CD30FD222J03F | 0.77 (19.6) | 0.85 (21.6) | 0.25(6.4) | 0.438 (11.1) | 0.040 (1.0) |
| 2200 | 1000 | CDV19FF222J03F | 0.69 (17.5) | 0.56 (14.2) | 0.31(7.9) | 0.344 (8.7) | 0.032 (.8) |
| 2200 | 1500 | CDV30FH222J03F | 0.79 (20.1) | 0.88 (22.4) | 0.31(7.9) | 0.438 (11.1) | 0.040 (1.0) |
| 2400 | 500 | CD19FD242J03F | 0.67 (17.0) | 0.54 (13.7) | 0.26(6.6) | 0.344 (8.7) | 0.032 (.8) |
| 2400 | 500 | CD30FD242J03F | 0.77 (19.6) | 0.85 (21.6) | 0.25(6.4) | 0.438 (11.1) | 0.040 (1.0) |
| 2400 | 1000 | CDV19FF242J03F | 0.69 (17.5) | 0.57 (14.5) | 0.32(8.1) | 0.344 (8.7) | 0.032 (.8) |
| 2400 | 1500 | CDV30FH242J03F | 0.79 (20.1) | 0.88 (22.4) | 0.32(8.1) | 0.438 (11.1) | 0.040 (1.0) |
| 2400 | 2,000 | CDV30FJ242J03F | 0.80 (20.3) | 0.90 (22.9) | 0.38(9.7) | 0.438 (11.1) | 0.040 (1.0) |
| 2400 | 2500 | CDV30FK242J03F | 0.82 (20.8) | 0.91 (23.1) | 0.42(10.7) | 0.438 (11.1) | 0.040 (1.0) |
| 2500 | 500 | CD19FD252J03F | 0.68 (17.3) | 0.54 (13.7) | 0.26(6.6) | 0.344 (8.7) | 0.032 (.8) |
| 2500 | 500 | CD30FD252J03F | 0.77 (19.6) | 0.85 (21.6) | 0.25(6.4) | 0.438 (11.1) | 0.040 (1.0) |
| 2500 | 1500 | CDV30FH252J03F | 0.79 (20.1) | 0.88 (22.4) | 0.32(8.1) | 0.438 (11.1) | 0.040 (1.0) |
| 2500 | 2000 | CDV30FJ252J03F | 0.80 (20.3) | 0.90 (22.9) | 0.38(9.7) | 0.438 (11.1) | 0.040 (1.0) |
| 2500 | 2,500 | CDV30FK252J03F | 0.82 (20.8) | 0.91 (23.1) | 0.42(10.7) | 0.438 (11.1) | 0.040 (1.0) |
| 2700 | 500 | CD19FD272J03F | 0.68 (17.3) | 0.54 (13.7) | 0.27(6.9) | 0.344 (8.7) | 0.032 (.8) |
| 2700 | 500 | CD30FD272J03F | 0.77 (19.6) | 0.85 (21.6) | 0.25(6.4) | 0.438 (11.1) | 0.040 (1.0) |

Mica Capacitors, Standard Dipped

Types CD10, D10, CD15, CD19, CD30, CD42, CDV19, CDV30

| Cap (pF) | Volts (Vdc) | Catalog Part Number | L (in) (mm) | H (in) (mm) | T (in) (mm) | S (in) (mm) | d (in) (mm) |
|-------------|----------------|------------------------|----------------|----------------|----------------|----------------|----------------|
| 2700 | 1000 | CDV19FF272J03F | 0.70 (17.8) | 0.57 (14.5) | 0.34(8.6) | 0.344 (8.7) | 0.032 (.8) |
| 2700 | 1500 | CDV30FH272J03F | 0.79 (20.1) | 0.88 (22.4) | 0.33(8.4) | 0.438 (11.1) | 0.040 (1.0) |
| 2700 | 2000 | CDV30FJ272J03F | 0.81 (20.6) | 0.91 (23.1) | 0.40(10.2) | 0.438 (11.1) | 0.040 (1.0) |
| 2700 | 2500 | CDV30FK272J03F | 0.83 (21.1) | 0.92 (23.4) | 0.45(11.4) | 0.438 (11.1) | 0.040 (1.0) |
| 3000 | 500 | CD19FD302J03F | 0.68 (17.3) | 0.55 (14.0) | 0.28(7.1) | 0.344 (8.7) | 0.032 (.8) |
| 3000 | 500 | CD30FD302J03F | 0.77 (19.6) | 0.86 (21.8) | 0.25(6.4) | 0.438 (11.1) | 0.040 (1.0) |
| 3000 | 1000 | CDV19FF302J03F | 0.71 (18.0) | 0.58 (14.7) | 0.36(9.1) | 0.344 (8.7) | 0.032 (.8) |
| 3000 | 1500 | CDV30FH302J03F | 0.80 (20.3) | 0.89 (22.6) | 0.34(8.6) | 0.438 (11.1) | 0.040 (1.0) |
| 3000 | 2000 | CDV30FJ302J03F | 0.81 (20.6) | 0.91 (23.1) | 0.42(10.7) | 0.438 (11.1) | 0.040 (1.0) |
| 3000 | 2,500 | CDV30FK302J03F | 0.84 (21.3) | 0.93 (23.6) | 0.48(12.2) | 0.438 (11.1) | 0.040 (1.0) |
| 3300 | 500 | CD19FD332J03F | 0.68 (17.3) | 0.55 (14.0) | 0.29(7.4) | 0.344 (8.7) | 0.032 (.8) |
| 3300 | 500 | CD30FD332J03F | 0.77 (19.6) | 0.86 (21.8) | 0.25(6.4) | 0.438 (11.1) | 0.040 (1.0) |
| 3300 | 1,000 | CDV19FF332J03F | 0.72 (18.3) | 0.59 (15.0) | 0.38(9.7) | 0.344 (8.7) | 0.032 (.8) |
| 3300 | 1500 | CDV30FH332J03F | 0.80 (20.3) | 0.89 (22.6) | 0.35(8.9) | 0.438 (11.1) | 0.040 (1.0) |
| 3300 | 2000 | CDV30FJ332J03F | 0.82 (20.8) | 0.92 (23.4) | 0.44(11.2) | 0.438 (11.1) | 0.040 (1.0) |
| 3600 | 500 | CD19FD362J03F | 0.68 (17.3) | 0.56 (14.2) | 0.30(7.6) | 0.344 (8.7) | 0.032 (.8) |
| 3600 | 500 | CD30FD362J03F | 0.77 (19.6) | 0.86 (21.8) | 0.26(6.6) | 0.438 (11.1) | 0.040 (1.0) |
| 3600 | 1000 | CDV19FF362J03F | 0.73 (18.5) | 0.60 (15.2) | 0.40(10.2) | 0.344 (8.7) | 0.032 (.8) |
| 3600 | 1,500 | CDV30FH362J03F | 0.80 (20.3) | 0.89 (22.6) | 0.35(8.9) | 0.438 (11.1) | 0.040 (1.0) |
| 3600 | 2000 | CDV30FJ362J03F | 0.82 (20.8) | 0.92 (23.4) | 0.44(11.2) | 0.438 (11.1) | 0.040 (1.0) |
| 3900 | 500 | CD19FD392J03F | 0.69 (17.5) | 0.56 (14.2) | 0.31(7.9) | 0.344 (8.7) | 0.032 (.8) |
| 3900 | 500 | CD30FD392J03F | 0.77 (19.6) | 0.86 (21.8) | 0.26(6.6) | 0.438 (11.1) | 0.040 (1.0) |
| 3900 | 1000 | CDV19FF392J03F | 0.74 (18.8) | 0.61 (15.5) | 0.42(10.7) | 0.344 (8.7) | 0.032 (.8) |
| 3900 | 1500 | CDV30FH392J03F | 0.80 (20.3) | 0.89 (22.6) | 0.36(9.1) | 0.438 (11.1) | 0.040 (1.0) |
| 3900 | 2,000 | CDV30FJ392J03F | 0.83 (21.1) | 0.93 (23.6) | 0.46(11.7) | 0.438 (11.1) | 0.040 (1.0) |
| 4300 | 500 | CD19FD432J03F | 0.69 (17.5) | 0.57 (14.5) | 0.33(8.4) | 0.344 (8.7) | 0.032 (.8) |
| 4300 | 500 | CD30FD432J03F | 0.78 (19.8) | 0.86 (21.8) | 0.27(6.9) | 0.438 (11.1) | 0.040 (1.0) |
| 4300 | 1000 | CDV19FF432J03F | 0.75 (19.1) | 0.62 (15.7) | 0.44(11.2) | 0.344 (8.7) | 0.032 (.8) |
| 4300 | 1500 | CDV30FH432J03F | 0.81 (20.6) | 0.90 (22.9) | 0.37(9.4) | 0.438 (11.1) | 0.040 (1.0) |
| 4300 | 2000 | CDV30FJ432J03F | 0.84 (21.3) | 0.93 (23.6) | 0.48(12.2) | 0.438 (11.1) | 0.040 (1.0) |
| 4700 | 500 | CD19FD472J03F | 0.70 (17.8) | 0.58 (14.7) | 0.35(8.9) | 0.344 (8.7) | 0.032 (.8) |
| 4700 | 500 | CD30FD472J03F | 0.78 (19.8) | 0.86 (21.8) | 0.27(6.9) | 0.438 (11.1) | 0.040 (1.0) |
| 4700 | 1000 | CDV19FF472J03F | 0.76 (19.3) | 0.63 (16.0) | 0.46(11.7) | 0.344 (8.7) | 0.032 (.8) |
| 4700 | 1500 | CDV30FH472J03F | 0.81 (20.6) | 0.90 (22.9) | 0.38(9.7) | 0.438 (11.1) | 0.040 (1.0) |
| 5000 | 500 | CD19FD502J03F | 0.71 (18.0) | 0.59 (15.0) | 0.37(9.4) | 0.344 (8.7) | 0.032 (.8) |
| 5000 | 500 | CD30FD502J03F | 0.78 (19.8) | 0.86 (21.8) | 0.28(7.1) | 0.438 (11.1) | 0.040 (1.0) |
| 5000 | 1500 | CDV30FH502J03F | 0.81 (20.6) | 0.90 (22.9) | 0.38(9.7) | 0.438 (11.1) | 0.040 (1.0) |
| 5100 | 500 | CD19FD512J03F | 0.71 (18.0) | 0.59 (15.0) | 0.37(9.4) | 0.344 (8.7) | 0.032 (.8) |
| 5100 | 500 | CD30FD512J03F | 0.78 (19.8) | 0.86 (21.8) | 0.28(7.1) | 0.438 (11.1) | 0.040 (1.0) |
| 5100 | 1000 | CDV30FF512J03F | 0.79 (20.1) | 0.88 (22.4) | 0.33(8.4) | 0.438 (11.1) | 0.040 (1.0) |
| 5100 | 1,500 | CDV30FH512J03F | 0.81 (20.6) | 0.90 (22.9) | 0.39(9.9) | 0.438 (11.1) | 0.040 (1.0) |
| 5600 | 300 | CD19FC562J03F | 0.68 (17.3) | 0.56 (14.2) | 0.31(7.9) | 0.344 (8.7) | 0.032 (.8) |
| 5600 | 500 | CD30FD562J03F | 0.78 (19.8) | 0.87 (22.1) | 0.29(7.4) | 0.438 (11.1) | 0.040 (1.0) |

Mica Capacitors, Standard Dipped

Types CD10, D10, CD15, CD19, CD30, CD42, CDV19, CDV30

| Cap (pF) | Volts (Vdc) | Catalog Part Number | L (in) (mm) | H (in) (mm) | T (in) (mm) | S (in) (mm) | d (in) (mm) |
|-------------|----------------|------------------------|----------------|----------------|----------------|----------------|----------------|
| 5600 | 1000 | CDV30FF562J03F | 0.80 (20.3) | 0.89 (22.6) | 0.34(8.6) | 0.438 (11.1) | 0.040 (1.0) |
| 5600 | 1500 | CDV30FH562J03F | 0.82 (20.8) | 0.91 (23.1) | 0.40(10.2) | 0.438 (11.1) | 0.040 (1.0) |
| 6200 | 300 | CD19FC622J03F | 0.69 (17.5) | 0.56 (14.2) | 0.32(8.1) | 0.344 (8.7) | 0.032 (.8) |
| 6800 | 300 | CD19FC682J03F | 0.69 (17.5) | 0.57 (14.5) | 0.33(8.4) | 0.344 (8.7) | 0.032 (.8) |
| 6200 | 500 | CD30FD622J03F | 0.78 (19.8) | 0.87 (22.1) | 0.29(7.4) | 0.438 (11.1) | 0.040 (1.0) |
| 6200 | 1000 | CDV30FF622J03F | 0.80 (20.3) | 0.89 (22.6) | 0.35(8.9) | 0.438 (11.1) | 0.040 (1.0) |
| 6200 | 1500 | CDV30FH622J03F | 0.82 (20.8) | 0.91 (23.1) | 0.41(10.4) | 0.438 (11.1) | 0.040 (1.0) |
| 6800 | 500 | CD30FD682J03F | 0.78 (19.8) | 0.88 (22.4) | 0.30(7.6) | 0.438 (11.1) | 0.040 (1.0) |
| 6800 | 1000 | CDV30FF682J03F | 0.80 (20.3) | 0.89 (22.6) | 0.36(9.1) | 0.438 (11.1) | 0.040 (1.0) |
| 6800 | 1,500 | CDV30FH682J03F | 0.83 (21.1) | 0.92 (23.4) | 0.42(10.7) | 0.438 (11.1) | 0.040 (1.0) |
| 7500 | 100 | CD19FA752J03F | 0.70 (17.8) | 0.57 (14.5) | 0.34(8.6) | 0.344 (8.7) | 0.032 (.8) |
| 7500 | 500 | CD30FD752J03F | 0.79 (20.1) | 0.88 (22.4) | 0.31(7.9) | 0.438 (11.1) | 0.040 (1.0) |
| 7500 | 1,000 | CDV30FF752J03F | 0.81 (20.6) | 0.89 (22.6) | 0.37(9.4) | 0.438 (11.1) | 0.040 (1.0) |
| 7500 | 1500 | CDV30FH752J03F | 0.83 (21.1) | 0.92 (23.4) | 0.42(10.7) | 0.438 (11.1) | 0.040 (1.0) |
| 8200 | 100 | CD19FA822J03F | 0.70 (17.8) | 0.58 (14.7) | 0.35(8.9) | 0.344 (8.7) | 0.032 (.8) |
| 8200 | 500 | CD30FD822J03F | 0.79 (20.1) | 0.88 (22.4) | 0.32(8.1) | 0.438 (11.1) | 0.040 (1.0) |
| 8200 | 1000 | CDV30FF822J03F | 0.81 (20.6) | 0.90 (22.9) | 0.39(9.9) | 0.438 (11.1) | 0.040 (1.0) |
| 8200 | 1500 | CDV30FH822J03F | 0.84 (21.3) | 0.93 (23.6) | 0.46(11.7) | 0.438 (11.1) | 0.040 (1.0) |
| 9100 | 100 | CD19FA912J03F | 0.71 (18.0) | 0.59 (15.0) | 0.36(9.1) | 0.344 (8.7) | 0.032 (.8) |
| 9100 | 500 | CD30FD912J03F | 0.79 (20.1) | 0.88 (22.4) | 0.33(8.4) | 0.438 (11.1) | 0.040 (1.0) |
| 9100 | 1000 | CDV30FF912J03F | 0.82 (20.8) | 0.90 (22.9) | 0.41(10.4) | 0.438 (11.1) | 0.040 (1.0) |
| 10000 | 100 | CD19FA103J03F | 0.72 (18.3) | 0.60 (15.2) | 0.37(9.4) | 0.344 (8.7) | 0.032 (.8) |
| 10000 | 500 | CD30FD103J03F | 0.80 (20.3) | 0.89 (22.6) | 0.34(8.6) | 0.438 (11.1) | 0.040 (1.0) |
| 10000 | 1000 | CDV30FF103J03F | 0.82 (20.8) | 0.91 (23.1) | 0.42(10.7) | 0.438 (11.1) | 0.040 (1.0) |
| 11000 | 500 | CD30FD113J03F | 0.80 (20.3) | 0.89 (22.6) | 0.35(8.9) | 0.438 (11.1) | 0.040 (1.0) |
| 11000 | 1000 | CDV30FF113J03F | 0.83 (21.1) | 0.91 (23.1) | 0.44(11.2) | 0.438 (11.1) | 0.040 (1.0) |
| 12000 | 500 | CD30FD123J03F | 0.80 (20.3) | 0.89 (22.6) | 0.36(9.1) | 0.438 (11.1) | 0.040 (1.0) |
| 12000 | 1000 | CDV30FF123J03F | 0.83 (21.1) | 0.92 (23.4) | 0.46(11.7) | 0.438 (11.1) | 0.040 (1.0) |
| 13000 | 500 | CD30FD133J03F | 0.81 (20.6) | 0.89 (22.6) | 0.37(9.4) | 0.438 (11.1) | 0.040 (1.0) |
| 13000 | 1000 | CDV30FF133J03F | 0.84 (21.3) | 0.93 (23.6) | 0.48(12.2) | 0.438 (11.1) | 0.040 (1.0) |
| 15000 | 500 | CD30FD153J03F | 0.81 (20.6) | 0.90 (22.9) | 0.39(9.9) | 0.438 (11.1) | 0.040 (1.0) |
| 16000 | 500 | CD30FD163J03F | 0.82 (20.8) | 0.90 (22.9) | 0.41(10.4) | 0.438 (11.1) | 0.040 (1.0) |
| 18000 | 500 | CD30FD183J03F | 0.82 (20.8) | 0.91 (23.1) | 0.43(10.9) | 0.438 (11.1) | 0.040 (1.0) |
| 20000 | 500 | CD30FD203J03F | 0.83 (21.1) | 0.92 (23.4) | 0.45(11.4) | 0.438 (11.1) | 0.040 (1.0) |
| 20000 | 500 | CD42FD203J03F | 1.42 (36.1) | 0.87 (22.1) | 0.30(7.6) | 1.063 (27.0) | 0.040 (1.0) |
| 22000 | 500 | CD30FD223J03F | 0.83 (21.1) | 0.93 (23.6) | 0.46(11.7) | 0.438 (11.1) | 0.040 (1.0) |
| 22000 | 500 | CD42FD223J03F | 1.42 (36.1) | 0.88 (22.4) | 0.31(7.9) | 1.063 (27.0) | 0.040 (1.0) |
| 24000 | 300 | CD30FC243J03F | 0.82 (20.8) | 0.90 (22.9) | 0.41(10.4) | 0.438 (11.1) | 0.040 (1.0) |
| 24000 | 500 | CD42FD243J03F | 1.43 (36.3) | 0.88 (22.4) | 0.32(8.1) | 1.063 (27.0) | 0.040 (1.0) |
| 25000 | 300 | CD30FC253J03F | 0.82 (20.8) | 0.91 (23.1) | 0.43(10.9) | 0.438 (11.1) | 0.040 (1.0) |
| 25000 | 500 | CD42FD253J03F | 1.43 (36.3) | 0.88 (22.4) | 0.33(8.4) | 1.063 (27.0) | 0.040 (1.0) |
| 27000 | 300 | CD30FC273J03F | 0.82 (20.8) | 0.91 (23.1) | 0.43(10.9) | 0.438 (11.1) | 0.040 (1.0) |
| 27000 | 500 | CD42FD273J03F | 1.43 (36.3) | 0.88 (22.4) | 0.33(8.4) | 1.063 (27.0) | 0.040 (1.0) |

Mica Capacitors, Standard Dipped

Types CD10, D10, CD15, CD19, CD30, CD42, CDV19, CDV30

| Cap (pF) | Volts (Vdc) | Catalog Part Number | L (in) (mm) | H (in) (mm) | T (in) (mm) | S (in) (mm) | d (in) (mm) |
|-------------|----------------|------------------------|----------------|----------------|----------------|----------------|----------------|
| 30000 | 300 | CD30FC303J03F | 0.83 (21.1) | 0.92 (23.4) | 0.46(11.7) | 0.438 (11.1) | 0.040 (1.0) |
| 30000 | 500 | CD42FD303J03F | 1.44 (36.6) | 0.89 (22.6) | 0.35(8.9) | 1.063 (27.0) | 0.040 (1.0) |
| 33000 | 100 | CD30FA333J03F | 0.83 (21.1) | 0.91 (23.1) | 0.44(11.2) | 0.438 (11.1) | 0.040 (1.0) |
| 33000 | 500 | CD42FD333J03F | 1.44 (36.6) | 0.89 (22.6) | 0.36(9.1) | 1.063 (27.0) | 0.040 (1.0) |
| 36000 | 100 | CD30FA363J03F | 0.83 (21.1) | 0.92 (23.4) | 0.45(11.4) | 0.438 (11.1) | 0.040 (1.0) |
| 36000 | 500 | CD42FD363J03F | 1.45 (36.8) | 0.90 (22.9) | 0.38(9.7) | 1.063 (27.0) | 0.040 (1.0) |
| 39000 | 500 | CD42FD393J03F | 1.45 (36.8) | 0.90 (22.9) | 0.40(10.2) | 1.063 (27.0) | 0.040 (1.0) |
| 40000 | 100 | CD30FA403J03F | 0.84 (21.3) | 0.92 (23.4) | 0.47(11.9) | 0.438 (11.1) | 0.040 (1.0) |
| 43000 | 500 | CD42FD433J03F | 1.46 (37.1) | 0.91 (23.1) | 0.42(10.7) | 1.063 (27.0) | 0.040 (1.0) |
| 47000 | 500 | CD42FD473J03F | 1.47 (37.3) | 0.91 (23.1) | 0.45(11.4) | 1.063 (27.0) | 0.040 (1.0) |
| 50000 | 500 | CD42FD503J03F | 1.48 (37.6) | 0.92 (23.4) | 0.47(11.9) | 1.063 (27.0) | 0.040 (1.0) |
| 51000 | 500 | CD42FD513J03F | 1.48 (37.6) | 0.92 (23.4) | 0.47(11.9) | 1.063 (27.0) | 0.040 (1.0) |
| 56000 | 300 | CD42FC563J03F | 1.46 (37.1) | 0.91 (23.1) | 0.42(10.7) | 1.063 (27.0) | 0.040 (1.0) |
| 62000 | 300 | CD42FC623J03F | 1.47 (37.3) | 0.92 (23.4) | 0.45(11.4) | 1.063 (27.0) | 0.040 (1.0) |
| 68000 | 300 | CD42FC683J03F | 1.48 (37.6) | 0.92 (23.4) | 0.47(11.9) | 1.063 (27.0) | 0.040 (1.0) |
| 75000 | 100 | CD42FA753J03F | 1.47 (37.3) | 0.91 (23.1) | 0.44(11.2) | 1.063 (27.0) | 0.040 (1.0) |
| 82000 | 100 | CD42FA823J03F | 1.48 (37.6) | 0.92 (23.4) | 0.46(11.7) | 1.063 (27.0) | 0.040 (1.0) |
| 91000 | 100 | CD42FA913J03F | 1.50 (38.1) | 0.94 (23.9) | 0.50(12.7) | 1.063 (27.0) | 0.040 (1.0) |

Notice and Disclaimer: All product drawings, descriptions, specifications, statements, information and data (collectively, the "Information") in this datasheet or other publication are subject to change. The customer is responsible for checking, confirming and verifying the extent to which the Information contained in this datasheet or other publication is applicable to an order at the time the order is placed. All Information given herein is believed to be accurate and reliable, but it is presented without any guarantee, warranty, representation or responsibility of any kind, expressed or implied. Statements of suitability for certain applications are based on the knowledge that the Cornell Dubilier company providing such statements ("Cornell Dubilier") has of operating conditions that such Cornell Dubilier company regards as typical for such applications, but are not intended to constitute any guarantee, warranty or representation regarding any such matter – and Cornell Dubilier specifically and expressly disclaims any guarantee, warranty or representation concerning the suitability for a specific customer application, use, storage, transportation, or operating environment. The Information is intended for use only by customers who have the requisite experience and capability to determine the correct products for their application. Any technical advice inferred from this Information or otherwise provided by Cornell Dubilier with reference to the use of any Cornell Dubilier products is given gratis (unless otherwise specified by Cornell Dubilier), and Cornell Dubilier assumes no obligation or liability for the advice given or results obtained. Although Cornell Dubilier strives to apply the most stringent quality and safety standards regarding the design and manufacturing of its products, in light of the current state of the art, isolated component failures may still occur. Accordingly, customer applications which require a high degree of reliability or safety should employ suitable designs or other safeguards (such as installation of protective circuitry or redundancies or other appropriate protective measures) in order to ensure that the failure of an electrical component does not result in a risk of personal injury or property damage. Although all product-related warnings, cautions and notes must be observed, the customer should not assume that all safety measures are indicated in such warnings, cautions and notes, or that other safety measures may not be required.