

# CD54HC245, CD74HC245, CD54HCT245, CD74HCT245

## High-Speed CMOS Logic Octal-Bus Transceiver, Three-State, Non-Inverting

### Features

- Buffered Inputs
- Three-State Outputs
- Bus Line Driving Capability
- Typical Propagation Delay (A to B, B to A) 9ns at  $V_{CC} = 5V$ ,  $C_L = 15pF$ ,  $T_A = 25^\circ C$
- Fanout (Over Temperature Range)
  - Standard Outputs . . . . . 10 LSTTL Loads
  - Bus Driver Outputs . . . . . 15 LSTTL Loads
- Wide Operating Temperature Range . . .  $-55^\circ C$  to  $125^\circ C$
- Balanced Propagation Delay and Transition Times
- Significant Power Reduction Compared to LSTTL Logic ICs
- HC Types
  - 2V to 6V Operation
  - High Noise Immunity:  $N_{IL} = 30\%$ ,  $N_{IH} = 30\%$  of  $V_{CC}$  at  $V_{CC} = 5V$
- HCT Types
  - 4.5V to 5.5V Operation
  - Direct LSTTL Input Logic Compatibility,  $V_{IL} = 0.8V$  (Max),  $V_{IH} = 2V$  (Min)
  - CMOS Input Compatibility,  $I_I \leq 1\mu A$  at  $V_{OL}$ ,  $V_{OH}$

### Description

The CD54HC245, CD54HCT245, and CD74HC245, CD74HCT245 are high-speed octal three-state bidirectional transceivers intended for two-way asynchronous communication between data buses. They have high drive current outputs which enable high-speed operation while driving large bus capacitances. They provide the low power consumption of standard CMOS circuits with speeds and drive capabilities comparable to that of LSTTL circuits.

The CD54HC245, CD54HCT245, CD74HC245 and CD74HCT245 allow data transmission of the B bus or from the B bus to the A bus. The logic level at the direction input (DIR) determines the direction. The output enable input ( $\overline{OE}$ ), when high, puts the I/O ports in the high-impedance state.

The HC/HCT245 is similar in operation to the HC/HCT640 and the HC/HCT643.

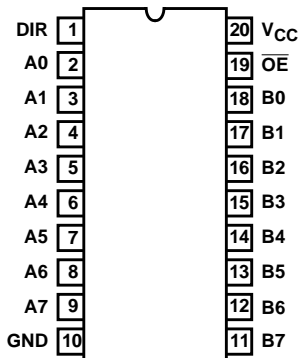
### Ordering Information

| PART NUMBER   | TEMP. RANGE ( $^\circ C$ ) | PACKAGE      |
|---------------|----------------------------|--------------|
| CD54HC245F3A  | -55 to 125                 | 20 Ld CERDIP |
| CD54HCT245F3A | -55 to 125                 | 20 Ld CERDIP |
| CD74HC245E    | -55 to 125                 | 20 Ld PDIP   |
| CD74HC245M    | -55 to 125                 | 20 Ld SOIC   |
| CD74HC245M96  | -55 to 125                 | 20 Ld SOIC   |
| CD74HCT245E   | -55 to 125                 | 20 Ld PDIP   |
| CD74HCT245M   | -55 to 125                 | 20 Ld SOIC   |
| CD74HCT245M96 | -55 to 125                 | 20 Ld SOIC   |

NOTE: When ordering, use the entire part number. The suffix 96 denotes tape and reel.

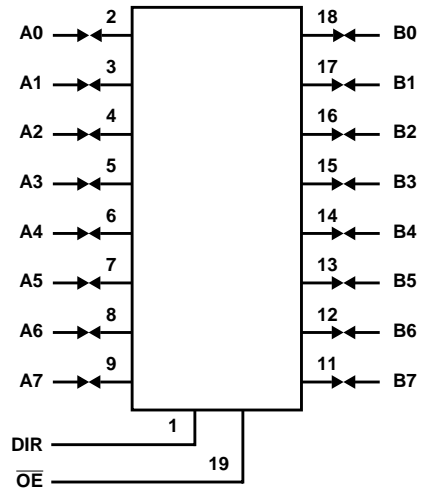
### Pinout

CD54HC245, CD54HCT245  
(CERDIP)  
CD74HC245, CD74HCT245  
(PDIP, SOIC)  
TOP VIEW



**CD54HC245, CD74HC245, CD54HCT245, CD74HCT245**

**Functional Diagram**



**TRUTH TABLE**

| CONTROL INPUTS |     | OPERATION       |
|----------------|-----|-----------------|
| OE             | DIR |                 |
| L              | L   | B Data to A Bus |
| L              | H   | A Data to B Bus |
| H              | X   | Isolation       |

H = High Level, L = Low Level, X = Irrelevant

To prevent excess currents in the High-Z (Isolation) modes all I/O terminals should be terminated with 10kΩ to 1MΩ resistors.

## CD54HC245, CD74HC245, CD54HCT245, CD74HCT245

### Absolute Maximum Ratings

|  |             |
|--|-------------|
| DC Supply Voltage, $V_{CC}$ .....                      | -0.5V to 7V |
| DC Input Diode Current, $I_{IK}$                       |             |
| For $V_I < -0.5V$ or $V_I > V_{CC} + 0.5V$ .....       | $\pm 20mA$  |
| DC Output Diode Current, $I_{OK}$                      |             |
| For $V_O < -0.5V$ or $V_O > V_{CC} + 0.5V$ .....       | $\pm 20mA$  |
| DC Drain Current, per Output, $I_O$                    |             |
| For $-0.5V < V_O < V_{CC} + 0.5V$ .....                | $\pm 35mA$  |
| DC Output Source or Sink Current per Output Pin, $I_O$ |             |
| For $V_O > -0.5V$ or $V_O < V_{CC} + 0.5V$ .....       | $\pm 25mA$  |
| DC $V_{CC}$ or Ground Current, $I_{CC}$ .....          | $\pm 50mA$  |

### Thermal Information

|  |                                  |
|--|----------------------------------|
| Thermal Resistance (Typical, Note 1) .....     | $\theta_{JA}$ ( $^{\circ}C/W$ )  |
| E (PDIP) Package .....                         | 69                               |
| M (SOIC) Package .....                         | 58                               |
| Maximum Junction Temperature .....             | $150^{\circ}C$                   |
| Maximum Storage Temperature Range .....        | $-65^{\circ}C$ to $150^{\circ}C$ |
| Maximum Lead Temperature (Soldering 10s) ..... | $300^{\circ}C$                   |
| (SOIC - Lead Tips Only)                        |                                  |

### Operating Conditions

|  |                                  |
|--|----------------------------------|
| Temperature Range, $T_A$ .....               | $-55^{\circ}C$ to $125^{\circ}C$ |
| Supply Voltage Range, $V_{CC}$               |                                  |
| HC Types .....                               | .2V to 6V                        |
| HCT Types .....                              | 4.5V to 5.5V                     |
| DC Input or Output Voltage, $V_I, V_O$ ..... | 0V to $V_{CC}$                   |
| Input Rise and Fall Time                     |                                  |
| 2V .....                                     | 1000ns (Max)                     |
| 4.5V .....                                   | 500ns (Max)                      |
| 6V .....                                     | 400ns (Max)                      |

*CAUTION: Stresses above those listed in "Absolute Maximum Ratings" may cause permanent damage to the device. This is a stress only rating and operation of the device at these or any other conditions above those indicated in the operational sections of this specification is not implied.*

- The package thermal impedance is calculated in accordance with JESD 51-7.

### DC Electrical Specifications

| PARAMETER                               | SYMBOL   | TEST CONDITIONS      |            | $V_{CC}$ (V) | 25°C |      |           | -40°C TO 85°C |         | -55°C TO 125°C |         | UNITS   |   |
|---|----------|----------------------|------------|--------------|------|------|-----------|---------------|---------|----------------|---------|---------|---|
|   |          | $V_I$ (V)            | $I_O$ (mA) |              | MIN  | TYP  | MAX       | MIN           | MAX     | MIN            | MAX     |         |   |
| <b>HC TYPES</b>                         |          |                      |            |              |      |      |           |               |         |                |         |         |   |
| High Level Input Voltage                | $V_{IH}$ | -                    | -          | 2            | 1.5  | -    | -         | 1.5           | -       | 1.5            | -       | V       |   |
|   |          |                      |            | 4.5          | 3.15 | -    | -         | 3.15          | -       | 3.15           | -       | V       |   |
|   |          |                      |            | 6            | 4.2  | -    | -         | 4.2           | -       | 4.2            | -       | V       |   |
| Low Level Input Voltage                 | $V_{IL}$ | -                    | -          | 2            | -    | -    | 0.5       | -             | 0.5     | -              | 0.5     | V       |   |
|   |          |                      |            | 4.5          | -    | -    | 1.35      | -             | 1.35    | -              | 1.35    | V       |   |
|   |          |                      |            | 6            | -    | -    | 1.8       | -             | 1.8     | -              | 1.8     | V       |   |
| High Level Output Voltage<br>CMOS Loads | $V_{OH}$ | $V_{IH}$ or $V_{IL}$ | -0.02      | -0.02        | 2    | 1.9  | -         | -             | 1.9     | -              | 1.9     | -       | V |
|   |          |                      | -0.02      | -0.02        | 4.5  | 4.4  | -         | -             | 4.4     | -              | 4.4     | -       | V |
|   |          |                      | -0.02      | -0.02        | 6    | 5.9  | -         | -             | 5.9     | -              | 5.9     | -       | V |
| High Level Output Voltage<br>TTL Loads  | $V_{OH}$ | $V_{IH}$ or $V_{IL}$ | -          | -            | -    | -    | -         | -             | -       | -              | -       | V       |   |
|   |          |                      | -4         | -4           | 4.5  | 3.98 | -         | -             | 3.84    | -              | 3.7     | -       | V |
|   |          |                      | -5.2       | -5.2         | 6    | 5.48 | -         | -             | 5.34    | -              | 5.2     | -       | V |
| Low Level Output Voltage<br>CMOS Loads  | $V_{OL}$ | $V_{IH}$ or $V_{IL}$ | 0.02       | 0.02         | 2    | -    | -         | 0.1           | -       | 0.1            | -       | 0.1     | V |
|   |          |                      | 0.02       | 0.02         | 4.5  | -    | -         | 0.1           | -       | 0.1            | -       | 0.1     | V |
|   |          |                      | 0.02       | 0.02         | 6    | -    | -         | 0.1           | -       | 0.1            | -       | 0.1     | V |
| Low Level Output Voltage<br>TTL Loads   | $V_{OL}$ | $V_{IH}$ or $V_{IL}$ | -          | -            | -    | -    | -         | -             | -       | -              | -       | V       |   |
|   |          |                      | 4          | 4            | 4.5  | -    | -         | 0.26          | -       | 0.33           | -       | 0.4     | V |
|   |          |                      | 5.2        | 5.2          | 6    | -    | -         | 0.26          | -       | 0.33           | -       | 0.4     | V |
| Input Leakage Current                   | $I_I$    | $V_{CC}$ or GND      | -          | 6            | -    | -    | $\pm 0.1$ | -             | $\pm 1$ | -              | $\pm 1$ | $\mu A$ |   |
| Quiescent Device Current                | $I_{CC}$ | $V_{CC}$ or GND      | 0          | 6            | -    | -    | 8         | -             | 80      | -              | 160     | $\mu A$ |   |

**CD54HC245, CD74HC245, CD54HCT245, CD74HCT245**

**DC Electrical Specifications (Continued)**

| PARAMETER  | SYMBOL                    | TEST CONDITIONS                    |   | V <sub>CC</sub> (V) | 25°C |     |      | -40°C TO 85°C |      | -55°C TO 125°C |     | UNITS |
|--|---------------------------|------------------------------------|---|---------------------|------|-----|------|---------------|------|----------------|-----|-------|
|  |                           | V <sub>I</sub> (V)                 | I <sub>O</sub> (mA)                     |                     | MIN  | TYP | MAX  | MIN           | MAX  | MIN            | MAX |       |
| Three-State Leakage Current                                    | I <sub>OZ</sub>           | V <sub>IL</sub> or V <sub>IH</sub> | V <sub>O</sub> = V <sub>CC</sub> or GND | 6                   | -    | -   | ±0.5 | -             | ±5   | -              | ±10 | µA    |
| <b>HCT TYPES</b>   |                           |                                    |   |                     |      |     |      |               |      |                |     |       |
| High Level Input Voltage                                       | V <sub>IH</sub>           | -                                  | -                                       | 4.5 to 5.5          | 2    | -   | -    | 2             | -    | 2              | -   | V     |
| Low Level Input Voltage  | V <sub>IL</sub>           | -                                  | -                                       | 4.5 to 5.5          | -    | -   | 0.8  | -             | 0.8  | -              | 0.8 | V     |
| High Level Output Voltage<br>CMOS Loads                        | V <sub>OH</sub>           | V <sub>IH</sub> or V <sub>IL</sub> | -0.02                                   | 4.5                 | 4.4  | -   | -    | 4.4           | -    | 4.4            | -   | V     |
| High Level Output Voltage<br>TTL Loads                         |                           |                                    | -4                                      | 4.5                 | 3.98 | -   | -    | 3.84          | -    | 3.7            | -   | V     |
| Low Level Output Voltage<br>CMOS Loads                         | V <sub>OL</sub>           | V <sub>IH</sub> or V <sub>IL</sub> | 0.02                                    | 4.5                 | -    | -   | 0.1  | -             | 0.1  | -              | 0.1 | V     |
| Low Level Output Voltage<br>TTL Loads                          |                           |                                    | 4                                       | 4.5                 | -    | -   | 0.26 | -             | 0.33 | -              | 0.4 | V     |
| Input Leakage Current  | I <sub>I</sub>            | V <sub>CC</sub> and GND            | 0                                       | 5.5                 | -    | -   | ±0.1 | -             | ±1   | -              | ±1  | µA    |
| Quiescent Device Current                                       | I <sub>CC</sub>           | V <sub>CC</sub> or GND             | 0                                       | 5.5                 | -    | -   | 8    | -             | 80   | -              | 160 | µA    |
| Three-State Leakage Current                                    | I <sub>OZ</sub>           | V <sub>IL</sub> or V <sub>IH</sub> | V <sub>O</sub> = V <sub>CC</sub> or GND | 6                   | -    | -   | ±0.5 | -             | ±5   | -              | ±10 | µA    |
| Additional Quiescent Device Current Per Input Pin: 1 Unit Load | ΔI <sub>CC</sub> (Note 2) | V <sub>CC</sub> -2.1               | -                                       | 4.5 to 5.5          | -    | 100 | 360  | -             | 450  | -              | 490 | µA    |

NOTE:

2. For dual-supply systems theoretical worst case (V<sub>I</sub> = 2.4V, V<sub>CC</sub> = 5.5V) specification is 1.8mA.

**HCT Input Loading Table**

| INPUT    | UNIT LOADS |
|----------|------------|
| An or Bn | 0.4        |
| OE       | 1.5        |
| DIR      | 0.9        |

NOTE: Unit Load is ΔI<sub>CC</sub> limit specified in DC Electrical Table, e.g., 360µA max at 25°C.

**CD54HC245, CD74HC245, CD54HCT245, CD74HCT245**

**Switching Specifications**  $C_L = 50\text{pF}$ , Input  $t_r, t_f = 6\text{ns}$

| PARAMETER                                  | SYMBOL             | TEST CONDITIONS     | $V_{CC}$ (V) | 25°C |     |     | -40°C TO 85°C |     | -55°C TO 125°C |     | UNITS |
|--|--------------------|---------------------|--------------|------|-----|-----|---------------|-----|----------------|-----|-------|
|  |                    |                     |              | MIN  | TYP | MAX | MIN           | MAX | MIN            | MAX |       |
| <b>HC TYPES</b>                            |                    |                     |              |      |     |     |               |     |                |     |       |
| Propagation Delay<br>Data to Output        | $t_{PHL}, t_{PLH}$ | $C_L = 50\text{pF}$ | 2            | -    | -   | 110 | -             | 140 | -              | 165 | ns    |
|  |                    |                     | 4.5          | -    | -   | 22  | -             | 28  | -              | 33  | ns    |
|  |                    | $C_L = 15\text{pF}$ | 5            | -    | 9   | -   | -             | -   | -              | -   | ns    |
|  |                    | $C_L = 50\text{pF}$ | 6            | -    | -   | 19  | -             | 24  | -              | 28  | ns    |
| Output Disable to Output                   | $t_{PHL}, t_{PLH}$ | $C_L = 50\text{pF}$ | 2            | -    | -   | 150 | -             | 190 | -              | 225 | ns    |
|  |                    |                     | 4.5          | -    | -   | 30  | -             | 38  | -              | 45  | ns    |
|  |                    | $C_L = 15\text{pF}$ | 5            | -    | 12  | -   | -             | -   | -              | -   | ns    |
|  |                    | $C_L = 50\text{pF}$ | 6            | -    | -   | 26  | -             | 33  | -              | 38  | ns    |
| Output Enable to Output                    | $t_{PHL}, t_{PLH}$ | $C_L = 50\text{pF}$ | 2            | -    | -   | 150 | -             | 190 | -              | 225 | ns    |
|  |                    |                     | 4.5          | -    | -   | 30  | -             | 38  | -              | 45  | ns    |
|  |                    | $C_L = 15\text{pF}$ | 5            | -    | 12  | -   | -             | -   | -              | -   | ns    |
|  |                    | $C_L = 50\text{pF}$ | 6            | -    | -   | 26  | -             | 33  | -              | 38  | ns    |
| Output Transition Time                     | $t_{THL}, t_{TLH}$ | $C_L = 50\text{pF}$ | 2            | -    | -   | 60  | -             | 75  | -              | 90  | ns    |
|  |                    |                     | 4.5          | -    | -   | 12  | -             | 15  | -              | 18  | ns    |
|  |                    |                     | 6            | -    | -   | 10  | -             | 13  | -              | 15  | ns    |
| Input Capacitance                          | $C_{IN}$           | $C_L = 50\text{pF}$ | -            | 10   | -   | 10  | -             | 10  | -              | 10  | pF    |
| Three-State Output Capacitance             | $C_O$              | -                   | -            | -    | 20  | -   | 20            | -   | 20             | -   | pF    |
| Power Dissipation Capacitance (Notes 3, 4) | $C_{PD}$           | -                   | 5            | -    | 53  | -   | -             | -   | -              | -   | pF    |
| <b>HCT TYPES</b>                           |                    |                     |              |      |     |     |               |     |                |     |       |
| Propagation Delay<br>Data to Output        | $t_{PHL}, t_{PLH}$ | $C_L = 50\text{pF}$ | 4.5          | -    | -   | 26  | -             | 33  | -              | 39  | ns    |
|  |                    | $C_L = 15\text{pF}$ | 5            | -    | 10  | -   | -             | -   | -              | -   | ns    |
| Output Disable to Output                   | $t_{PHL}, t_{PLH}$ | $C_L = 50\text{pF}$ | 4.5          | -    | -   | 30  | -             | 38  | -              | 45  | ns    |
|  |                    | $C_L = 15\text{pF}$ | 5            | -    | 12  | -   | -             | -   | -              | -   | ns    |
| Output Enable to Output                    | $t_{PHL}, t_{PLH}$ | $C_L = 50\text{pF}$ | 4.5          | -    | -   | 32  | -             | 40  | -              | 48  | ns    |
|  |                    | $C_L = 15\text{pF}$ | 5            | -    | 13  | -   | -             | -   | -              | -   | ns    |
| Output Transition Time                     | $t_{THL}, t_{TLH}$ | $C_L = 50\text{pF}$ | 4.5          | -    | -   | 12  | -             | 15  | -              | 18  | ns    |
| Input Capacitance                          | $C_{IN}$           | $C_L = 50\text{pF}$ | -            | 10   | -   | 10  | -             | 10  | -              | 10  | pF    |
| Three-State Output Capacitance             | $C_O$              | -                   | -            | -    | 20  | -   | 20            | -   | 20             | -   | pF    |
| Power Dissipation Capacitance (Notes 3, 4) | $C_{PD}$           | -                   | 5            | -    | 55  | -   | -             | -   | -              | -   | pF    |

**NOTES:**

- $C_{PD}$  is used to determine the dynamic power consumption, per channel.
- $P_D = V_{CC}^2 f_i (C_{PD} + C_L)$  where  $f_i$  = Input Frequency,  $C_L$  = Output Load Capacitance,  $V_{CC}$  = Supply Voltage.

Test Circuits and Waveforms



FIGURE 1. HC TRANSITION TIMES AND PROPAGATION DELAY TIMES, COMBINATION LOGIC

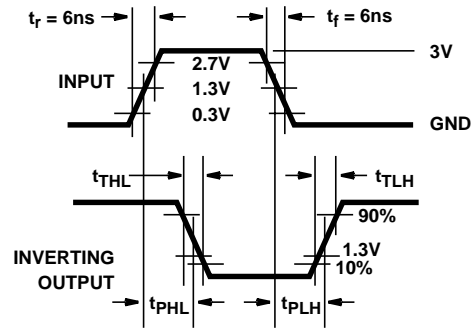


FIGURE 2. HCT TRANSITION TIMES AND PROPAGATION DELAY TIMES, COMBINATION LOGIC

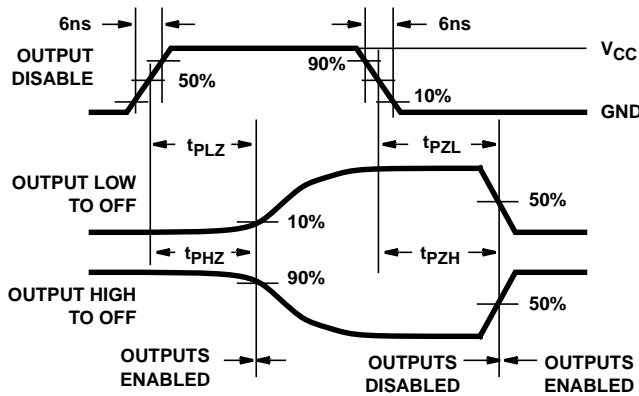


FIGURE 3. HC THREE-STATE PROPAGATION DELAY WAVEFORM

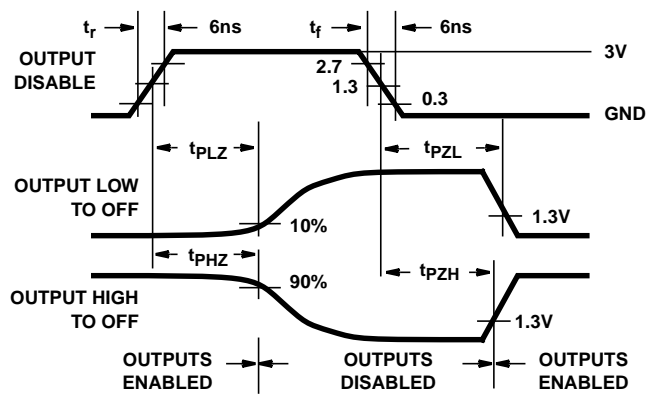


FIGURE 4. HCT THREE-STATE PROPAGATION DELAY WAVEFORM



NOTE: Open drain waveforms  $t_{pLZ}$  and  $t_{pZL}$  are the same as those for three-state shown on the left. The test circuit is Output  $R_L = 1k\Omega$  to  $V_{CC}$ ,  $C_L = 50pF$ .

FIGURE 5. HC AND HCT THREE-STATE PROPAGATION DELAY TEST CIRCUIT

**PACKAGING INFORMATION**

| Orderable Device | Status<br>(1) | Package Type | Package Drawing | Pins | Package Qty | Eco Plan<br>(2)            | Lead/Ball Finish<br>(6) | MSL Peak Temp<br>(3) | Op Temp (°C) | Device Marking<br>(4/5)    | Samples                 |
|------------------|---------------|--------------|-----------------|------|-------------|----------------------------|-------------------------|----------------------|--------------|----------------------------|-------------------------|
| CD54HC245F       | ACTIVE        | CDIP         | J               | 20   | 1           | TBD                        | A42                     | N / A for Pkg Type   | -55 to 125   | CD54HC245F                 | <a href="#">Samples</a> |
| CD54HC245F3A     | ACTIVE        | CDIP         | J               | 20   | 1           | TBD                        | A42                     | N / A for Pkg Type   | -55 to 125   | 8408501RA<br>CD54HC245F3A  | <a href="#">Samples</a> |
| CD54HCT245F      | ACTIVE        | CDIP         | J               | 20   | 1           | TBD                        | A42                     | N / A for Pkg Type   | -55 to 125   | CD54HCT245F                | <a href="#">Samples</a> |
| CD54HCT245F3A    | ACTIVE        | CDIP         | J               | 20   | 1           | TBD                        | A42                     | N / A for Pkg Type   | -55 to 125   | 8550601RA<br>CD54HCT245F3A | <a href="#">Samples</a> |
| CD74HC245E       | ACTIVE        | PDIP         | N               | 20   | 20          | Pb-Free<br>(RoHS)          | CU NIPDAU               | N / A for Pkg Type   | -55 to 125   | CD74HC245E                 | <a href="#">Samples</a> |
| CD74HC245M       | ACTIVE        | SOIC         | DW              | 20   | 25          | Green (RoHS<br>& no Sb/Br) | CU NIPDAU               | Level-1-260C-UNLIM   | -55 to 125   | HC245M                     | <a href="#">Samples</a> |
| CD74HC245M96     | ACTIVE        | SOIC         | DW              | 20   | 2000        | Green (RoHS<br>& no Sb/Br) | CU NIPDAU               | Level-1-260C-UNLIM   | -55 to 125   | HC245M                     | <a href="#">Samples</a> |
| CD74HCT245E      | ACTIVE        | PDIP         | N               | 20   | 20          | Pb-Free<br>(RoHS)          | CU NIPDAU               | N / A for Pkg Type   | -55 to 125   | CD74HCT245E                | <a href="#">Samples</a> |
| CD74HCT245EE4    | ACTIVE        | PDIP         | N               | 20   | 20          | Pb-Free<br>(RoHS)          | CU NIPDAU               | N / A for Pkg Type   | -55 to 125   | CD74HCT245E                | <a href="#">Samples</a> |
| CD74HCT245M      | ACTIVE        | SOIC         | DW              | 20   | 25          | Green (RoHS<br>& no Sb/Br) | CU NIPDAU               | Level-1-260C-UNLIM   | -55 to 125   | HCT245M                    | <a href="#">Samples</a> |
| CD74HCT245M96    | ACTIVE        | SOIC         | DW              | 20   | 2000        | Green (RoHS<br>& no Sb/Br) | CU NIPDAU               | Level-1-260C-UNLIM   | -55 to 125   | HCT245M                    | <a href="#">Samples</a> |

(1) The marketing status values are defined as follows:

**ACTIVE:** Product device recommended for new designs.

**LIFEBUY:** TI has announced that the device will be discontinued, and a lifetime-buy period is in effect.

**NRND:** Not recommended for new designs. Device is in production to support existing customers, but TI does not recommend using this part in a new design.

**PREVIEW:** Device has been announced but is not in production. Samples may or may not be available.

**OBSOLETE:** TI has discontinued the production of the device.

(2) **RoHS:** TI defines "RoHS" to mean semiconductor products that are compliant with the current EU RoHS requirements for all 10 RoHS substances, including the requirement that RoHS substance do not exceed 0.1% by weight in homogeneous materials. Where designed to be soldered at high temperatures, "RoHS" products are suitable for use in specified lead-free processes. TI may reference these types of products as "Pb-Free".

**RoHS Exempt:** TI defines "RoHS Exempt" to mean products that contain lead but are compliant with EU RoHS pursuant to a specific EU RoHS exemption.

**Green:** TI defines "Green" to mean the content of Chlorine (Cl) and Bromine (Br) based flame retardants meet JS709B low halogen requirements of <=1000ppm threshold. Antimony trioxide based flame retardants must also meet the <=1000ppm threshold requirement.

- (3) MSL, Peak Temp. - The Moisture Sensitivity Level rating according to the JEDEC industry standard classifications, and peak solder temperature.
- (4) There may be additional marking, which relates to the logo, the lot trace code information, or the environmental category on the device.
- (5) Multiple Device Markings will be inside parentheses. Only one Device Marking contained in parentheses and separated by a "~" will appear on a device. If a line is indented then it is a continuation of the previous line and the two combined represent the entire Device Marking for that device.
- (6) Lead/Ball Finish - Orderable Devices may have multiple material finish options. Finish options are separated by a vertical ruled line. Lead/Ball Finish values may wrap to two lines if the finish value exceeds the maximum column width.

**Important Information and Disclaimer:**The information provided on this page represents TI's knowledge and belief as of the date that it is provided. TI bases its knowledge and belief on information provided by third parties, and makes no representation or warranty as to the accuracy of such information. Efforts are underway to better integrate information from third parties. TI has taken and continues to take reasonable steps to provide representative and accurate information but may not have conducted destructive testing or chemical analysis on incoming materials and chemicals. TI and TI suppliers consider certain information to be proprietary, and thus CAS numbers and other limited information may not be available for release.

In no event shall TI's liability arising out of such information exceed the total purchase price of the TI part(s) at issue in this document sold by TI to Customer on an annual basis.

**OTHER QUALIFIED VERSIONS OF CD54HC245, CD54HCT245, CD74HC245, CD74HCT245 :**

- Catalog: [CD74HC245](#), [CD74HCT245](#)
- Military: [CD54HC245](#), [CD54HCT245](#)

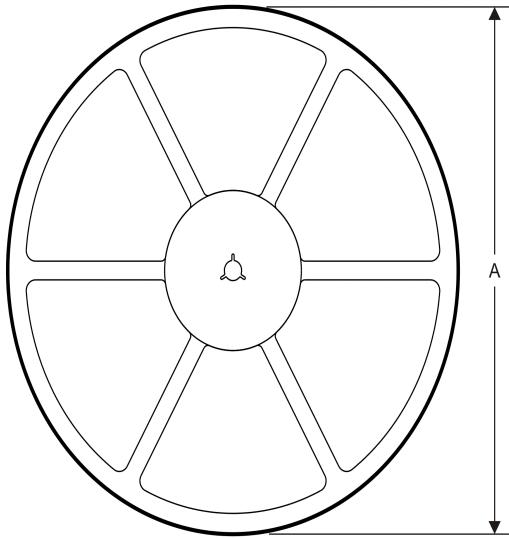
NOTE: Qualified Version Definitions:

- Catalog - TI's standard catalog product
- Military - QML certified for Military and Defense Applications



**TAPE AND REEL INFORMATION**

**REEL DIMENSIONS**



**TAPE DIMENSIONS**



|    |   |
|----|---|
| A0 | Dimension designed to accommodate the component width     |
| B0 | Dimension designed to accommodate the component length    |
| K0 | Dimension designed to accommodate the component thickness |
| W  | Overall width of the carrier tape                         |
| P1 | Pitch between successive cavity centers                   |

**TAPE AND REEL INFORMATION**

\*All dimensions are nominal

| Device        | Package Type | Package Drawing | Pins | SPQ  | Reel Diameter (mm) | Reel Width W1 (mm) | A0 (mm) | B0 (mm) | K0 (mm) | P1 (mm) | W (mm) | Pin1 Quadrant |
|---------------|--------------|-----------------|------|------|--------------------|--------------------|---------|---------|---------|---------|--------|---------------|
| CD74HC245M96  | SOIC         | DW              | 20   | 2000 | 330.0              | 24.4               | 10.8    | 13.0    | 2.7     | 12.0    | 24.0   | Q1            |
| CD74HCT245M96 | SOIC         | DW              | 20   | 2000 | 330.0              | 24.4               | 10.8    | 13.0    | 2.7     | 12.0    | 24.0   | Q1            |

**TAPE AND REEL BOX DIMENSIONS**


\*All dimensions are nominal

| Device        | Package Type | Package Drawing | Pins | SPQ  | Length (mm) | Width (mm) | Height (mm) |
|---------------|--------------|-----------------|------|------|-------------|------------|-------------|
| CD74HC245M96  | SOIC         | DW              | 20   | 2000 | 367.0       | 367.0      | 45.0        |
| CD74HCT245M96 | SOIC         | DW              | 20   | 2000 | 367.0       | 367.0      | 45.0        |

J (R-GDIP-T\*\*)

14 LEADS SHOWN

CERAMIC DUAL IN-LINE PACKAGE



| DIM \ PINS ** | 14                     | 16                     | 18                     | 20                     |
|---------------|------------------------|------------------------|------------------------|------------------------|
| A             | 0.300<br>(7,62)<br>BSC | 0.300<br>(7,62)<br>BSC | 0.300<br>(7,62)<br>BSC | 0.300<br>(7,62)<br>BSC |
| B MAX         | 0.785<br>(19,94)       | .840<br>(21,34)        | 0.960<br>(24,38)       | 1.060<br>(26,92)       |
| B MIN         | —                      | —                      | —                      | —                      |
| C MAX         | 0.300<br>(7,62)        | 0.300<br>(7,62)        | 0.310<br>(7,87)        | 0.300<br>(7,62)        |
| C MIN         | 0.245<br>(6,22)        | 0.245<br>(6,22)        | 0.220<br>(5,59)        | 0.245<br>(6,22)        |



4040083/F 03/03

- NOTES:
- All linear dimensions are in inches (millimeters).
  - This drawing is subject to change without notice.
  - This package is hermetically sealed with a ceramic lid using glass frit.
  - Index point is provided on cap for terminal identification only on press ceramic glass frit seal only.
  - Falls within MIL STD 1835 GDIP1-T14, GDIP1-T16, GDIP1-T18 and GDIP1-T20.

N (R-PDIP-T\*\*)

PLASTIC DUAL-IN-LINE PACKAGE

16 PINS SHOWN



- NOTES:
- A. All linear dimensions are in inches (millimeters).
  - B. This drawing is subject to change without notice.
  - Falls within JEDEC MS-001, except 18 and 20 pin minimum body length (Dim A).
  - The 20 pin end lead shoulder width is a vendor option, either half or full width.

# DW0020A



# PACKAGE OUTLINE

## SOIC - 2.65 mm max height

SOIC



4220724/A 05/2016

### NOTES:

- All linear dimensions are in millimeters. Dimensions in parenthesis are for reference only. Dimensioning and tolerancing per ASME Y14.5M.
- This drawing is subject to change without notice.
- This dimension does not include mold flash, protrusions, or gate burrs. Mold flash, protrusions, or gate burrs shall not exceed 0.15 mm per side.
- This dimension does not include interlead flash. Interlead flash shall not exceed 0.43 mm per side.
- Reference JEDEC registration MS-013.

# EXAMPLE BOARD LAYOUT

DW0020A

SOIC - 2.65 mm max height

SOIC



LAND PATTERN EXAMPLE  
SCALE:6X



SOLDER MASK DETAILS

4220724/A 05/2016

NOTES: (continued)

- 6. Publication IPC-7351 may have alternate designs.
- 7. Solder mask tolerances between and around signal pads can vary based on board fabrication site.

# EXAMPLE STENCIL DESIGN

DW0020A

SOIC - 2.65 mm max height

SOIC



SOLDER PASTE EXAMPLE  
BASED ON 0.125 mm THICK STENCIL  
SCALE:6X

4220724/A 05/2016

NOTES: (continued)

8. Laser cutting apertures with trapezoidal walls and rounded corners may offer better paste release. IPC-7525 may have alternate design recommendations.
9. Board assembly site may have different recommendations for stencil design.

## IMPORTANT NOTICE

Texas Instruments Incorporated (TI) reserves the right to make corrections, enhancements, improvements and other changes to its semiconductor products and services per JESD46, latest issue, and to discontinue any product or service per JESD48, latest issue. Buyers should obtain the latest relevant information before placing orders and should verify that such information is current and complete.

TI's published terms of sale for semiconductor products (<http://www.ti.com/sc/docs/stdterms.htm>) apply to the sale of packaged integrated circuit products that TI has qualified and released to market. Additional terms may apply to the use or sale of other types of TI products and services.

Reproduction of significant portions of TI information in TI data sheets is permissible only if reproduction is without alteration and is accompanied by all associated warranties, conditions, limitations, and notices. TI is not responsible or liable for such reproduced documentation. Information of third parties may be subject to additional restrictions. Resale of TI products or services with statements different from or beyond the parameters stated by TI for that product or service voids all express and any implied warranties for the associated TI product or service and is an unfair and deceptive business practice. TI is not responsible or liable for any such statements.

Buyers and others who are developing systems that incorporate TI products (collectively, "Designers") understand and agree that Designers remain responsible for using their independent analysis, evaluation and judgment in designing their applications and that Designers have full and exclusive responsibility to assure the safety of Designers' applications and compliance of their applications (and of all TI products used in or for Designers' applications) with all applicable regulations, laws and other applicable requirements. Designer represents that, with respect to their applications, Designer has all the necessary expertise to create and implement safeguards that (1) anticipate dangerous consequences of failures, (2) monitor failures and their consequences, and (3) lessen the likelihood of failures that might cause harm and take appropriate actions. Designer agrees that prior to using or distributing any applications that include TI products, Designer will thoroughly test such applications and the functionality of such TI products as used in such applications.

TI's provision of technical, application or other design advice, quality characterization, reliability data or other services or information, including, but not limited to, reference designs and materials relating to evaluation modules, (collectively, "TI Resources") are intended to assist designers who are developing applications that incorporate TI products; by downloading, accessing or using TI Resources in any way, Designer (individually or, if Designer is acting on behalf of a company, Designer's company) agrees to use any particular TI Resource solely for this purpose and subject to the terms of this Notice.

TI's provision of TI Resources does not expand or otherwise alter TI's applicable published warranties or warranty disclaimers for TI products, and no additional obligations or liabilities arise from TI providing such TI Resources. TI reserves the right to make corrections, enhancements, improvements and other changes to its TI Resources. TI has not conducted any testing other than that specifically described in the published documentation for a particular TI Resource.

Designer is authorized to use, copy and modify any individual TI Resource only in connection with the development of applications that include the TI product(s) identified in such TI Resource. NO OTHER LICENSE, EXPRESS OR IMPLIED, BY ESTOPPEL OR OTHERWISE TO ANY OTHER TI INTELLECTUAL PROPERTY RIGHT, AND NO LICENSE TO ANY TECHNOLOGY OR INTELLECTUAL PROPERTY RIGHT OF TI OR ANY THIRD PARTY IS GRANTED HEREIN, including but not limited to any patent right, copyright, mask work right, or other intellectual property right relating to any combination, machine, or process in which TI products or services are used. Information regarding or referencing third-party products or services does not constitute a license to use such products or services, or a warranty or endorsement thereof. Use of TI Resources may require a license from a third party under the patents or other intellectual property of the third party, or a license from TI under the patents or other intellectual property of TI.

TI RESOURCES ARE PROVIDED "AS IS" AND WITH ALL FAULTS. TI DISCLAIMS ALL OTHER WARRANTIES OR REPRESENTATIONS, EXPRESS OR IMPLIED, REGARDING RESOURCES OR USE THEREOF, INCLUDING BUT NOT LIMITED TO ACCURACY OR COMPLETENESS, TITLE, ANY EPIDEMIC FAILURE WARRANTY AND ANY IMPLIED WARRANTIES OF MERCHANTABILITY, FITNESS FOR A PARTICULAR PURPOSE, AND NON-INFRINGEMENT OF ANY THIRD PARTY INTELLECTUAL PROPERTY RIGHTS. TI SHALL NOT BE LIABLE FOR AND SHALL NOT DEFEND OR INDEMNIFY DESIGNER AGAINST ANY CLAIM, INCLUDING BUT NOT LIMITED TO ANY INFRINGEMENT CLAIM THAT RELATES TO OR IS BASED ON ANY COMBINATION OF PRODUCTS EVEN IF DESCRIBED IN TI RESOURCES OR OTHERWISE. IN NO EVENT SHALL TI BE LIABLE FOR ANY ACTUAL, DIRECT, SPECIAL, COLLATERAL, INDIRECT, PUNITIVE, INCIDENTAL, CONSEQUENTIAL OR EXEMPLARY DAMAGES IN CONNECTION WITH OR ARISING OUT OF TI RESOURCES OR USE THEREOF, AND REGARDLESS OF WHETHER TI HAS BEEN ADVISED OF THE POSSIBILITY OF SUCH DAMAGES.

Unless TI has explicitly designated an individual product as meeting the requirements of a particular industry standard (e.g., ISO/TS 16949 and ISO 26262), TI is not responsible for any failure to meet such industry standard requirements.

Where TI specifically promotes products as facilitating functional safety or as compliant with industry functional safety standards, such products are intended to help enable customers to design and create their own applications that meet applicable functional safety standards and requirements. Using products in an application does not by itself establish any safety features in the application. Designers must ensure compliance with safety-related requirements and standards applicable to their applications. Designer may not use any TI products in life-critical medical equipment unless authorized officers of the parties have executed a special contract specifically governing such use. Life-critical medical equipment is medical equipment where failure of such equipment would cause serious bodily injury or death (e.g., life support, pacemakers, defibrillators, heart pumps, neurostimulators, and implantables). Such equipment includes, without limitation, all medical devices identified by the U.S. Food and Drug Administration as Class III devices and equivalent classifications outside the U.S.

TI may expressly designate certain products as completing a particular qualification (e.g., Q100, Military Grade, or Enhanced Product). Designers agree that it has the necessary expertise to select the product with the appropriate qualification designation for their applications and that proper product selection is at Designers' own risk. Designers are solely responsible for compliance with all legal and regulatory requirements in connection with such selection.

Designer will fully indemnify TI and its representatives against any damages, costs, losses, and/or liabilities arising out of Designer's non-compliance with the terms and provisions of this Notice.