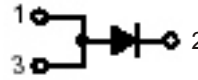


CDBD835L

Reverse Voltage: 35 Volts
Forward Current: 8.0 Amp

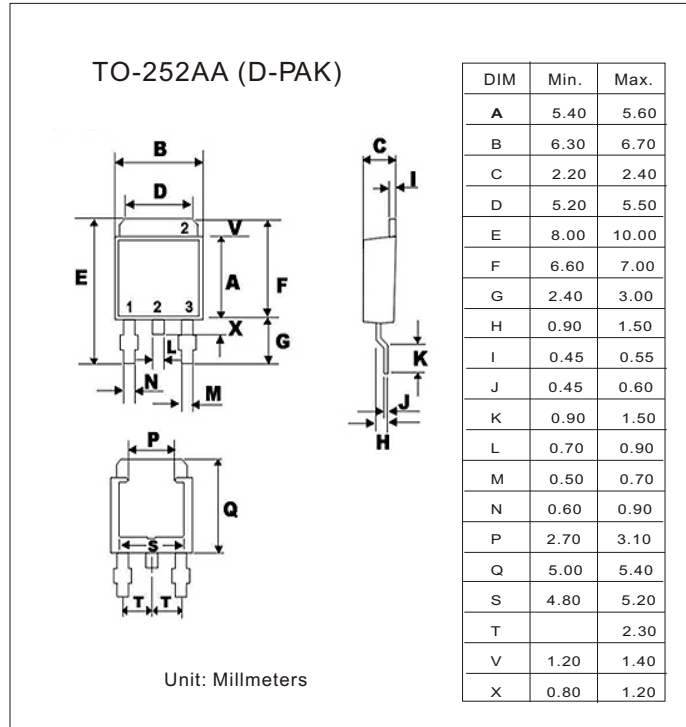


Features

- Lead formed for surface mount
- Easy pick and place
- Plastic package has Underwriters Lab. flammability classification 94V-0
- Low Switching Noise
- Low forward voltage drop

Mechanical data

- Case: TO-252AA molded plastic
- Terminals: solderable per MIL-STD-750, method 2026
- Mounting position: Any
- Approx. Weight: 0.295 gram



Maximum Ratings and Electrical Characteristics

Parameter	Symbol	CDBD835	Unit
Max.Repetitive Peak Reverse Voltage	VRRM	35	V
Max. DC Blocking Voltage	VDC	35	V
Max. RMS Voltage	VRMS	24.5	V
Peak Surge Forward Current 8.3ms single halfsine-wave superimposed on rateload (JEDEC method)	IFSM	75	A
Average Rectifier Forward Current (Note 1)	IF(AV)	8.0	A
Peak Repetitive Foward Current (at Rated VR, Square Wave, 20KHz, Tc=80°C)	IFRM	16	A
Max. Instantaneous Forward Current at 8.0A (Note 2)	VF	0.5	V
Max. DC Reverse Current at Rated DC Blocking Voltage Ta=25°C Ta=100°C	IR	1.4 35	mA
Max. Thermal Resistance (Note 3)	RθJA RθJC	80 6.0	°C/W
Operating Junction temperature	Tj	-65 to +125	°C
Storage Temperature	TSTG	-65 to +150	°C

Note 1. Total device Rated Vp at Tc=100°C

2. Pulse width= 300uS, duty cycle less than 2%.

3. Thermal resistance from junction to ambient and junction to case mounted on minimum pad size recommended

Rating and Characteristic Curves (CDBD835L)

Fig.1 - Reverse Characteristics

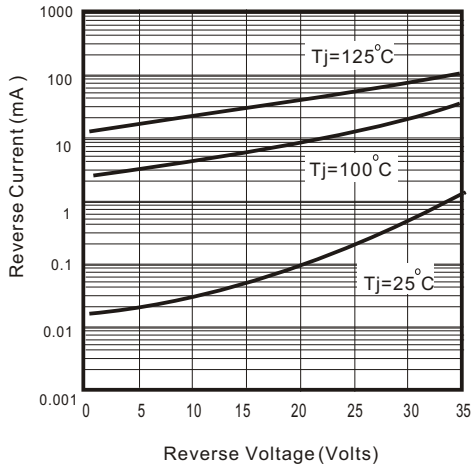


Fig. 2 - Forward Characteristics

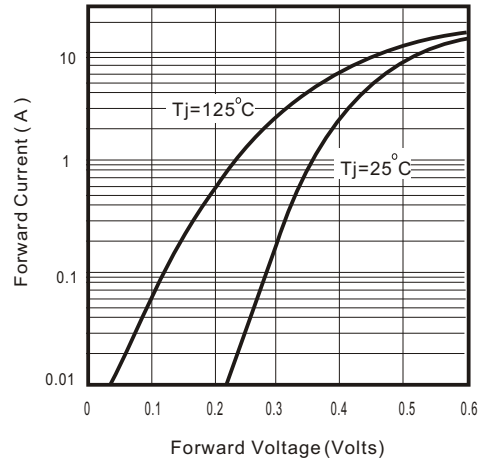


Fig. 3 - Junction Capacitance

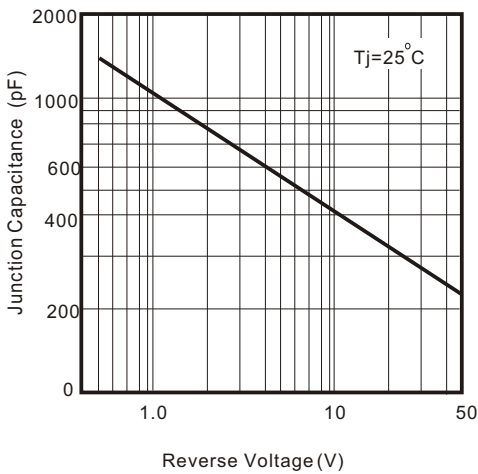


Fig. 4 - Current Derating Curve

