

CDBL0820 - CDBL0860

Voltage: 20- 60 Volts
Current: 0.8 Amp

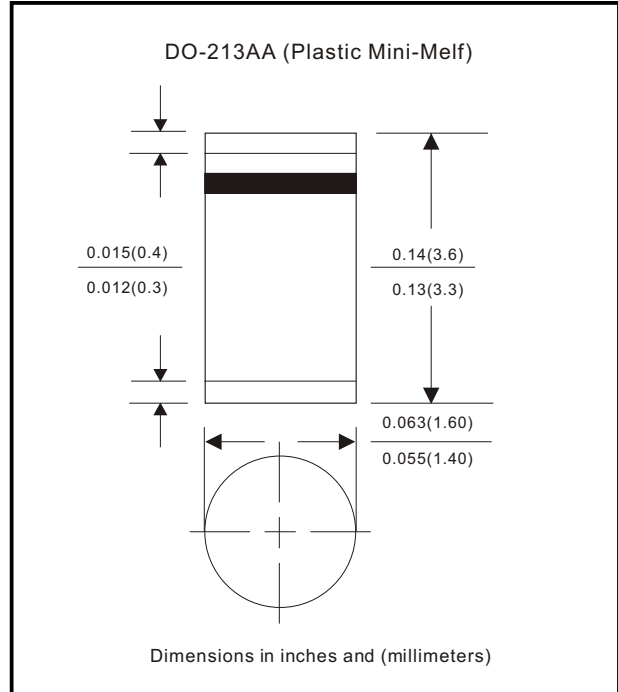


Feature

- Ideal for surface mount application
- Easy pick and place
- Plastic package has Underwriters Lab. flammability classification 94V-0
- Build-in strain relief

Mechanical data

- Case: DO-213AA molded plastic
- Terminals: solderable per MIL-STD-750, method 2026
- Polarity: Indicated by cathode band
- Mounting position: Any
- Weight: 0.036 grams



Maximum Ratings and Electrical Characteristics

Parameter	Symbol	CDBL0820	CDBL0840	CDBL0860	Unit
Max. Repetitive Peak Reverse Voltage	V_{RRM}	20	40	60	V
Max. DC Blocking Voltage	V_{DC}	14	28	42	V
Max. RMS Voltage	V_{RMS}	20	40	60	V
Peak Surge Forward Current 8.3ms single half sine-wave Sine-wave superimposed on Rate load (JEDEC)	I_{FSM}	10			A
Max. Average Forward Current	I_o	0.8			A
Max. Forward Current at 0.8 A	V_F	0.50		0.70	V
Max. Reverse Current $T_j=25\text{ C}$ $T_j=100\text{ C}$	I_R	0.5 10.0			mA
Max. Thermal Resistance (Note1)	$R_{\theta JA}$ $R_{\theta JT}$	30 75			$^{\circ}\text{C/W}$
Operating junction temperature	T_j	-55 to +125			$^{\circ}\text{C}$
Storage temperature	T_{STG}	-55 to +150			$^{\circ}\text{C}$

Note 1: Thermal resistance from junction to ambient and junction to terminal 6.0mm copper pads to each terminal.

RATING AND CHARACTERISTIC CURVES (CDBL0820-0860)

Fig. 1 - Typical Reverse Characteristics

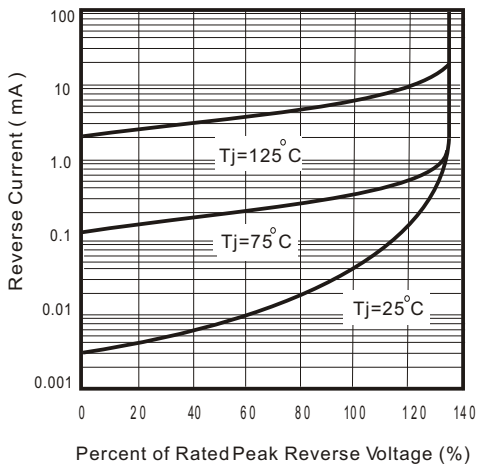


Fig. 2 - Typical Forward Characteristics

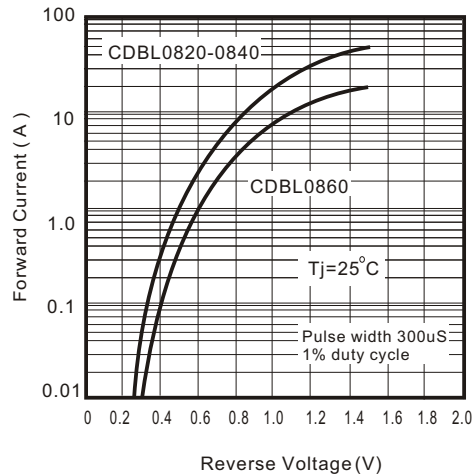


Fig. 3 - Junction Capacitance

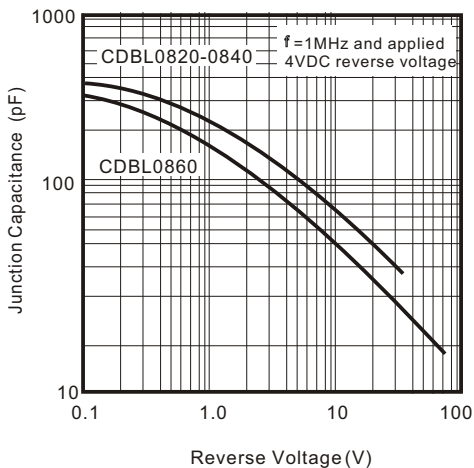


Fig. 4 - Current Derating Curve

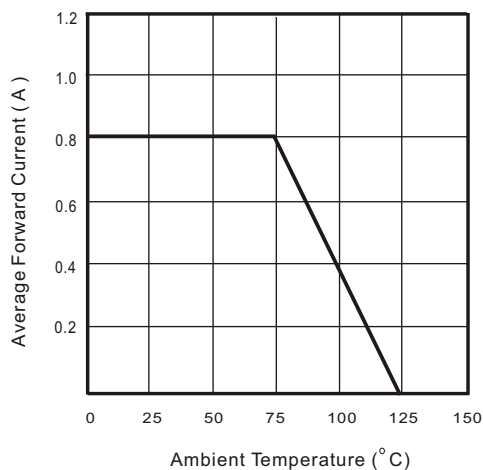


Fig. 5 - Non repetitive forward surge current

