

SMD Schottky Barrier Diode



CDBP00340 (RoHS Device)

Reverse Voltage: 30 Volts

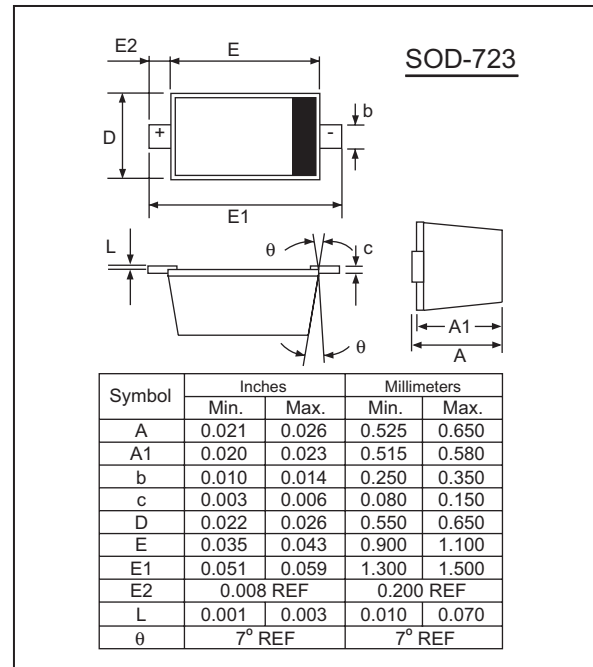
Forward Current: 30 mA

Features:

- Small Surface Mounting Type
- High Reliability
- Low Reverse Current and Low Forward Voltage

Mechanical Data:

- Case: Molded plastic SOD-723
- Terminals: Solderable per MIL-STD-750, Method 2026.1.
- Polarity: Indicated by cathode band.
- Mounting position: Any.
- Marking: F



Maximum Ratings (at T_A=25°C unless otherwise specified)

Parameter	Symbol	Limits	Unit
Peak reverse voltage	V _{RM}	40	V
DC reverse voltage	V _R	30	V
Mean rectifying current	I _O	30	mA
Peak forward surge current	I _{FSM}	200	mA
Junction temperature	T _j	125	°C
Storage temperature	T _{stg}	-40~+125	°C

Electrical Ratings (at T_A=25°C unless otherwise specified)

Parameter	Symbol	Min.	Typ.	Max.	Unit	Conditions
Forward voltage	V _F			0.37	V	I _F =1mA
Reverse current	I _R			0.5	μA	V _R =30V
Capacitance between terminals	C _T		2		pF	V _R =1V, f=1MHz

*-G" suffix designated RoHS compliant version

SMD Schottky Barrier Diode



CDBP00340 (RoHS Device)

Electrical Characteristic Curves

Fig. 1 Forward Characteristics

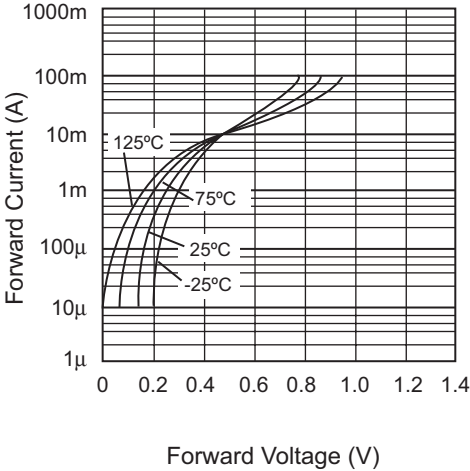


Fig. 2 Reverse Characteristics

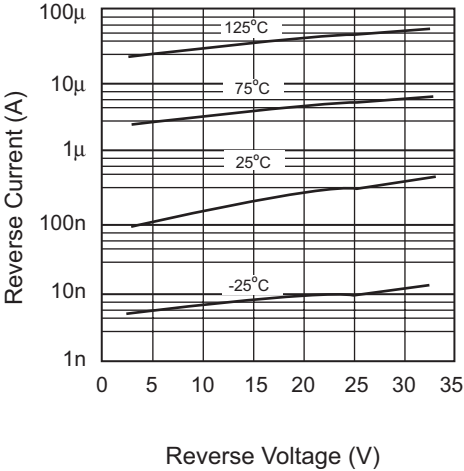
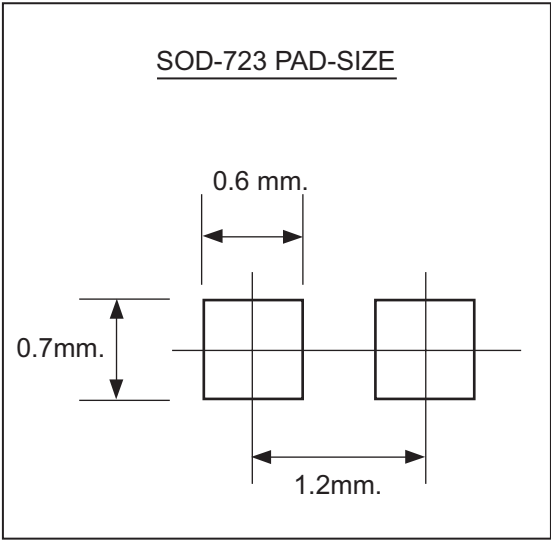
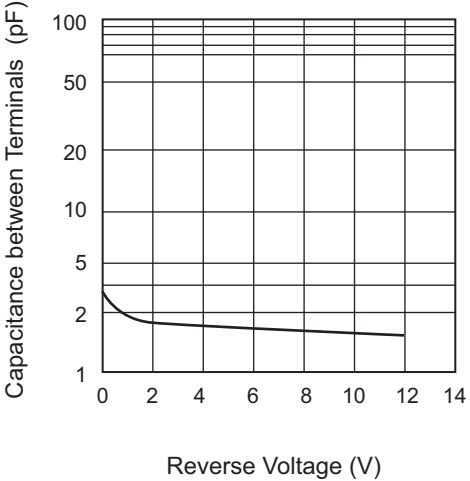


Fig. 3 Capacitance between Terminals



"-G" suffix designated RoHS compliant version