

**UNDER DEVELOPMENT**

**Type: CDEP11010**



◆ **Product Description**

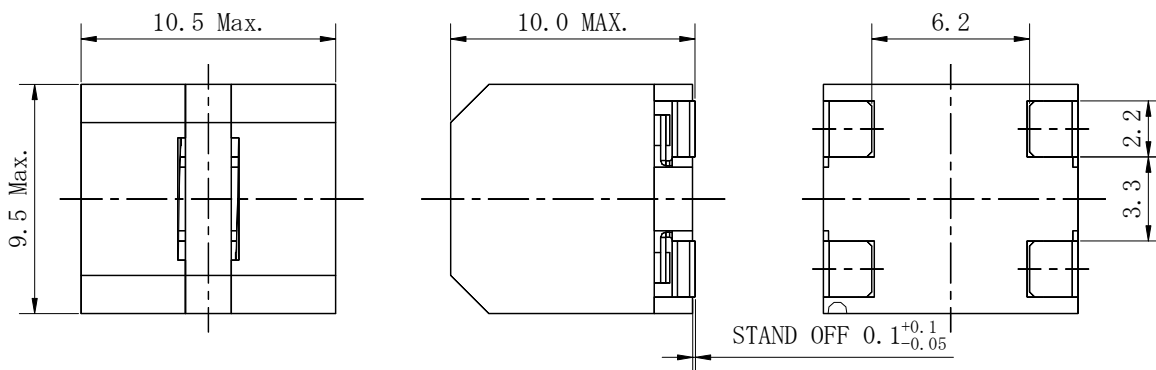
- 10.5×9.5mm Max. (L×W), 10.0mm Max. Height
- Inductance Range: 5.0  $\mu$  H~22  $\mu$  H; Rated Current Range: 2.8~7.1 A

◆ **Feature**

- Mn-Zn core used, High DC saturation current, High efficiency, Low heat generation.
- Dual inductors in one product.
- Ideally used in D Class Amplifiers.
- RoHS Compliance.

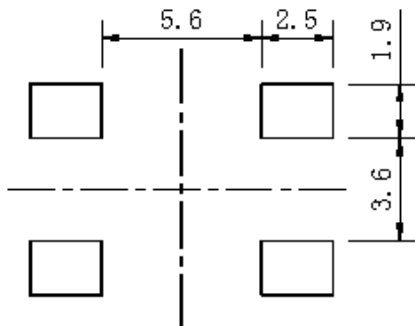
www.DataSheet4U.com

◆ **Dimensions (mm)**

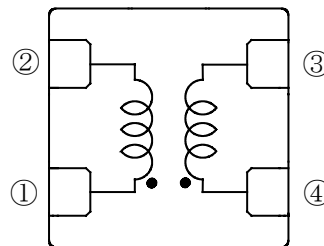


\* Dimension without tolerance is approx.

◆ **Land Pattern (mm)**



◆ **Schematics (Bottom)**



**Type: CDEP1010**
**◆ Specification**

Part Name	Stamp	Inductance [Within] 100kHz/1V 1-2 Or 4-3	D.C.R.(mΩ) Max.(Typ.) (at 20°C) 1-2 Or 4-3	Saturation Current (A) ※1	Temperature Rise Current (A) ※2
CDEP1010NP-5R0PC	5R0	5.0 μ H ± 25%	13 (10)	7.6	7.1
CDEP1010NP-100MC	100	10 μ H ± 20%	26 (21)	5.4	4.0
CDEP1010NP-120MC	120	12 μ H ± 20%	29 (23)	4.8	3.9
CDEP1010NP-150MC	150	15 μ H ± 20%	43 (34)	4.5	3.4
CDEP1010NP-180MC	180	18 μ H ± 20%	49 (39)	4.1	3.1
CDEP1010NP-220MC	220	22 μ H ± 20%	51 (41)	3.7	2.8

※1.Saturation Current: The DC current at which the inductance decreases to 75% of its initial value.

※2.Temperature Rise Current: The DC current at which the temperature rise is  $\Delta t=40^{\circ}\text{C}$  ( $T_a=20^{\circ}\text{C}$ ).