

FM CERAMIC DISCRIMINATOR

Description

- May be used in combination with IF step filters to remove need for adjustment.

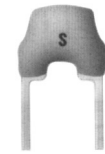
Features

- Compact and low profile (ideal for slimline sets)
- Low temperature coefficient for low dispersion and stable characteristics
- Independent terminal structure
- Lead-free terminations

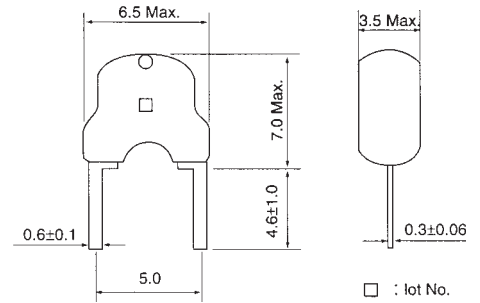
Applications

- Ideal for small sets, general purpose radios, and headphone stereos.
- Wireless data communication equipment

Dimensions

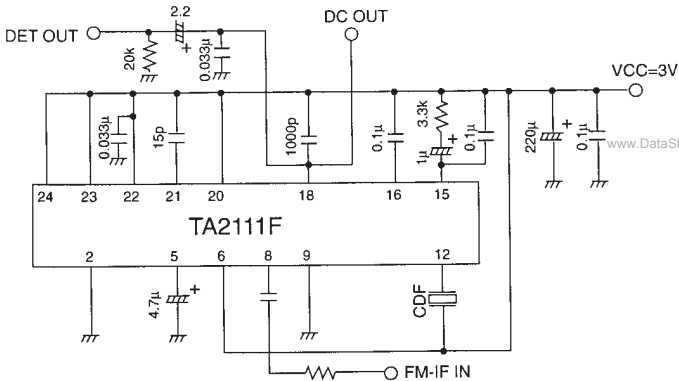


CDF107F



□ : lot No.
Unit: mm

Test Circuit



Center Frequency:

F_o is defined as the Carrier Frequency at the D.C. output.

Test Conditions:

MOD: 1kHz, DEV: 22.5kHz, INPUT: 80dBμ

STANDARD DISCRIMINATORS SELECTION GUIDE

TYPE CDF Discriminators

TOKO Part Number*	Center Frequency (F _o)	(Rank Color Code)	Demodulated Output	Demodulated Distortion Factor	Demodulated 3dB Bandwidth	Applicable IC*
#CDF107F-AE-022	A:10.70MHz±30kHz B:10.67MHz±30kHz C:10.73MHz±30kHz D:10.64MHz±30kHz E:10.76MHz±30kHz	(None) (Blue) (Orange) (Black) (White)	60mV min.	1.0% max.	220kHz min.	TA2111F

* Ceramic discriminators are classified by exclusive IC numbers. Please ask for TOKO Part Number.



The information furnished by TOKO, Inc. is believed to be accurate and reliable. However, TOKO reserves the right to make changes or improvements in the design, specification or manufacture of its products without further notice. TOKO does not assume any liability arising from the application or use of any product or circuit described herein, nor for any infringements of patents or other rights of third parties which may result from the use of its products. No license is granted by implication or otherwise under any patent or patent rights of TOKO, Inc.