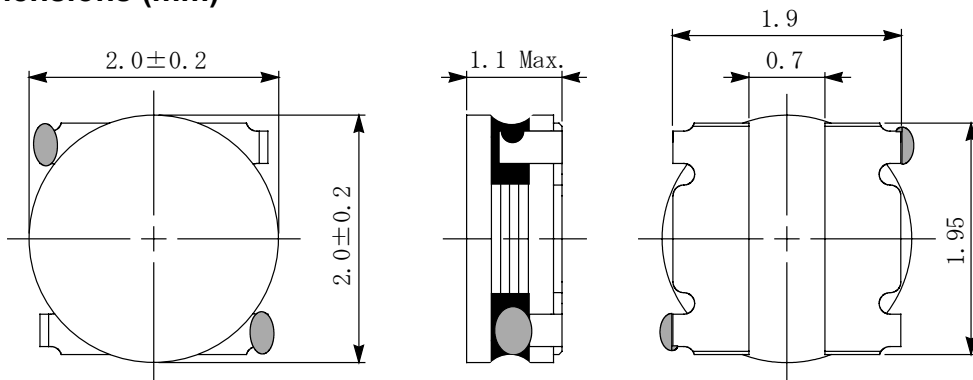


Type: CDH20D10
◆ Product Description

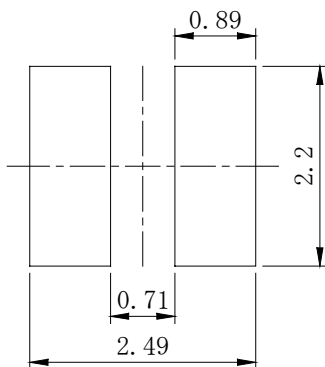
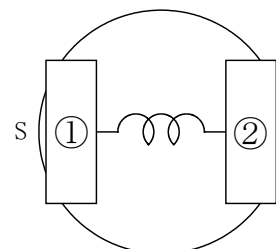
- 2.2×2.2 mm Max.(L×W),1.1mm Max. Height.
- Inductance range: 0.50~5.6 μ H
- Rated current range:0.49~1.65A
- In addition to the standard versions of inductors shown here, custom inductors are available to meet your exact requirements.


◆ Feature

- Magnetically unshielded construction.
- Ideally used in Mobile phone,PDA,MP3,DSC/DVC,Portable DVD etc as DC-DC Converter inductors.
- RoHS Compliance.

◆ Dimensions (mm)


* Dimensions without tolerance are approx.

◆ Land Pattern (mm)

◆ Connection (Bottom view)


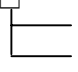
“S” is winding start.

Type: CDH20D10
◆ Specification

| Part Name ※ | Stamp | Inductance (μ H) 100kHz/1V | D.C.R.(Ω) Max.(Typ.) (at 20°C) | Saturation Current (A) ※1 | Temperature Rise Current (A) ※2 |
|------------------|-------|---------------------------------------|---|---------------------------------|---------------------------------------|
| CDH20D10NP-R50M□ | A | 0.5±20% | 83m(66m) | 2.01(2.52) | 1.65(1.84) |
| CDH20D10NP-R68M□ | B | 0.68±20% | 94m(75m) | 1.75(2.19) | 1.47(1.68) |
| CDH20D10NP-R80M□ | C | 0.8±20% | 104m(83m) | 1.63(2.04) | 1.43(1.62) |
| CDH20D10NP-1R0M□ | D | 1.0±20% | 0.139(0.111) | 1.45(1.82) | 1.18(1.34) |
| CDH20D10NP-1R2M□ | E | 1.2±20% | 0.158(0.126) | 1.44(1.80) | 1.16(1.32) |
| CDH20D10NP-1R5M□ | F | 1.5±20% | 0.173(0.138) | 1.27(1.59) | 1.08(1.22) |
| CDH20D10NP-1R8M□ | G | 1.8±20% | 0.235(0.188) | 1.08(1.36) | 0.90(1.02) |
| CDH20D10NP-2R0M□ | J | 2.0±20% | 0.252(0.201) | 1.04(1.30) | 0.88(1.01) |
| CDH20D10NP-2R2M□ | K | 2.2±20% | 0.276(0.221) | 1.00(1.26) | 0.87(0.98) |
| CDH20D10NP-2R7M□ | L | 2.7±20% | 0.370(0.295) | 0.89(1.12) | 0.74(0.82) |
| CDH20D10NP-3R3M□ | M | 3.3±20% | 0.425(0.339) | 0.81(1.02) | 0.70(0.79) |
| CDH20D10NP-3R9M□ | P | 3.9±20% | 0.463(0.370) | 0.72(0.92) | 0.58(0.65) |
| CDH20D10NP-4R7M□ | R | 4.7±20% | 0.53(0.42) | 0.70(0.87) | 0.53(0.61) |
| CDH20D10NP-5R6M□ | T | 5.6±20% | 0.75(0.60) | 0.63(0.79) | 0.49(0.55) |

※ Description of part name

CDH20D10NP-R50M□


 B: Box
 C: Carrier Tape

※1. Saturation Current: The DC current at which the inductance decreases to 90% of its nominal value.

 ※2. Temperature Rise Current: The DC current at which the temperature rise is $\Delta t=40^{\circ}\text{C}$ ($T_a=20^{\circ}\text{C}$).