

Type: CDH28D14

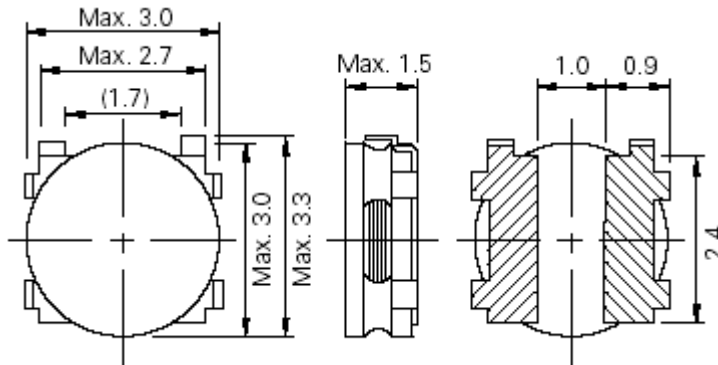
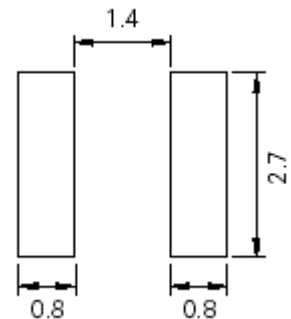
UNDER DEVELOPMENT

◆ Product Description

- 3.0×3.0mm Max.(L×W), 1.5mm Max. Height.
- Inductance range: 2.2~22 μ H.
- Rated current range: 0.38~1.33A.
- Custom design is available.


◆ Feature

- Magnetically unshielded construction.
- Ideally used in Mobilephone, PDA, MP3, DSC/DVC, HDD, etc as DC-DC Converter inductors.
- RoHS Compliance

◆ Dimensions (mm)

◆ Land Pattern (mm)

◆ Specification

Part Name ※	Stamp	Inductance (μ H) [Within] 100kHz/1V	D.C.R.(Ω) Max.(Typ.) (at 20°C)	Saturation Current (A) ※1	Temperature Rise current (A) ※2
CDH28D14NP-2R2M□	2R2	2.2±20%	134m(107m)	2.00	1.33
CDH28D14NP-4R7M□	4R7	4.7±20%	243m(195m)	1.35	950m
CDH28D14NP-100M□	100	10±20%	491m(393m)	950m	650m
CDH28D14NP-150M□	150	15±20%	1.14(913m)	610m	380m

※ Description of part name

CDH28D14NP-2R2M□
 └─ B Box
 └─ C Carrier Tape

※1.Saturation Current: The DC current at which the inductance decreases to 70% of it's nominal value.
 ※2 Temperature rise current: The DC current at which the temperature rise is Δt=40°C.(Ta=20°C)

This datasheet is not a final issue, and maybe something will be changed before production.